



MARTIN *Wheel*

A Kenda Company

Keeping your products
rolling for nearly 70 years

Product Catalog

TABLE OF CONTENTS



SLOW SPEED LAWN, GARDEN & TURF TIRES

K500 Super Turf.....	1
K505 Turf505.....	2
K382 Turf Pro.....	2
K372 Turf Max.....	2
K358 Turf Rider.....	2-3
K375 Turf Boss.....	3
K367 Grasshopper.....	3
K401 Rib.....	4
K404 Smooth.....	4
K502 Terra Trac.....	4-5
K472 Chevron/Bar.....	5
K357, K359 & K378 Bar/Lug.....	5
K352 Stud.....	5-6
K353 & K353A Sawtooth.....	6

GOLF CAR TIRES

K389 Hole-N-1.....	7
K399 Pro Tour.....	7
K399 Pro Tour Radial.....	7

GO KART TIRES

K404 Slick.....	7
-----------------	---

SNOW THROWER TIRES

K398A Polar Trac.....	8
-----------------------	---

GRAY RUBBER NON-MARKING RUBBER TIRES

Rib, Turf & Universal.....	8
----------------------------	---

AGRICULTURAL & SKID STEER TIRES

K401 Farm Rib.....	9
K395 Power Grip.....	9

INNER TUBES

Packaged.....	10-11
Bulk.....	12-13
Tubeless Valve Stem.....	13

O.P.E. REPLACEMENT WHEELS

Bob-Cat.....	14
Bunton.....	15
Case.....	15
Dixie Chopper.....	16
Encore.....	16
ExMark.....	16-17
FD Kees.....	18
Ferris.....	18
Gilson.....	18
Grasshopper.....	19
Gravelly.....	19
Great Dane.....	20
Husqvarna.....	20-21
Jacobsen.....	21
John Deere.....	22
Kubota.....	23
Lawnboy.....	23
Lesco.....	24
Murray.....	24
Rubbermaid.....	24
Scag.....	25
Snapper.....	25-26
Toro.....	26-27
Universal Fit.....	28
Walker.....	28
Wright / Velke.....	28

LIGHT DUTY LAWNMOWER WHEELS

Steel Wheels Offset Hubs.....	29
Steel Wheels Centered Hubs.....	29
Plastic Offset & Centered Wheels.....	30

SPOKE WHEELS

Plastic Spoke Wheels.....	30
Wire Spoke Wheels.....	30

LAWN & GARDEN TIRE CHAIN.....

GOLF CAR

Tire & Wheel Assemblies.....	32
Replacement Golf Car Tires.....	33
Replacement Golf Car Rims.....	33

POWER SPORTS ATV/UTV TIRES

K284 Front Max.....	34
K290 Scorpion.....	34
K530 & K530F Pathfinder.....	34
K299 Bearclaw.....	35
K537 Bounty Hunter.....	35
ATV Trailer Tire/Wheel Kit.....	36
ATV/UTV Inner Tubes.....	36

CONSUMER GO-KART WHEELS

Front Steering Wheels.....	37
Keywayed Drive Wheels.....	37-38
Sprocket Drive Wheels.....	38-39
Replacement Parts: Drive Sprockets, Rims, Inner Tubes, Brakes, and Tires.....	39

SLOW SPEED INDUSTRIAL WHEELS

1pc Drop Center Wheel Assemblies.....	40-53
2pc Bolt Together "M" Wheels.....	53-55
3pc Bolt Together Wheel Assemblies.....	55-74

WHEELBARROW WHEELS

Universal Fit Pneumatic Wheels.....	75
4ever Flat Free Universal Fit Wheels.....	75
Wheelbarrow & Lawn Cart Wheels.....	78-80

CASTERS & MATERIAL HANDLING

Pneumatic Casters & Forks.....	81
Light Duty Casters.....	82
4ever Flat Free Handtruck Wheels.....	83
Zero Pressure Wheels Complete.....	83-88
Eco-Friendly Handtruck Wheels.....	88

HIGH SPEED TRAILER PRODUCT

High Speed Trailer Tires.....	89-91
High Speed Trailer Inner Tubes.....	91
High Speed Trailer Wheels.....	92-94
High Speed Trailer Tire/Wheel Asm's.....	95-105
High Speed Trailer Parts.....	106-108

REPLACEMENT & SERVICE PARTS

Retainers, Cup & Cone Bearings, Fasteners.....	109
Bearings & Bushings.....	110
Grease Caps & Seals.....	110
Wheel Bearing Grease.....	110
Axle Nuts & Wheel Bolts.....	110
Cotter Pins & High Speed Spacers.....	110
Spindle Washers & Lug Nuts.....	110
Spare Tire & Wheel Mounts.....	110

APPENDIX

Plan-O-Gram Programs.....	Appendix A
www.martinwheelco.com.....	Appendix B
All About Tires - Basic Tire Information.....	Appendix C
All About Tires - Basic Rim Facts.....	Appendix D
Kenda Tire Guide.....	Appendix E-G



KENDA TIRE TREAD REFERENCE GUIDE LOCATED IN APPENDIX E-G

SLOW SPEED TIRES LAWN, GARDEN & TURF



K500 Super Turf

- The premier tire for lawn & garden applications
- Available in round shoulder design for steering applications and semi-square design for drive applications.
- Designed for commercial and residential use, K500 is "everything you want and more" in a lawn and garden tire.



Part Number	Size	Ply Rating	Type	OD Inches	SW Inches	Max Load	Max PSI	Fits Rim Size	Shipping Weight
1008-2TF-K	20x1000-8	2	Tubeless	19.1	9.6	750	10	8x7.0	10.9
1008-4TF-K	20x1000-8	4	Tubeless	19.7	9.8	1190	22	8x8.0	11.8
1008-6TF-K	20x1000-8	6	Tubeless	19.8	10.3	1540	34	8x8.0	12.7
1010-4TF-I	20x1000-10	4	Tubeless	19.7	9.7	1190	22	8x8.0	13.9
1012-4TF-K	23x1050-12	4	Tubeless	22.8	10.4	1340	22	12x8.5	18.9
1012-6TF-I	23x1050-12	6	Tubeless	22.9	10.4	1760	32	12x8.5	20.6
20508-4TF-I	20x1050-8	4	Tubeless	22.0	10.2	1190	22	8x7.0	14.6
2210-2TF-I	22x1000-10	2	Tubeless	21.9	9.7	850	10	10x7.0	17.0
2212-2TF-I	22x950-12	2	Tubeless	22.0	8.8	860	12	12x7.0	14.6
2212-4TF-I	22x950-12	4	Tubeless	21.7	8.9	1235	22	12x7.0	16.1
2412-4TF-I	24x1200-12	4	Tubeless	23.4	11.8	1700	20	12x8.5	21.2
2412-6TF-I	24x1200-12	6	Tubeless	24.3	11.5	2260	32	12x8.5	21.2
2412-8TF-I	24x1200-12	8	Tubeless	23.5	11.5	2925	50	12x8.5	25.4
2612-4TF-I	26x1200-12	4	Tubeless	25.8	12.8	1780	20	12x10.5	27.9
2612-8TF-I	26x1200-12	8	Tubeless	26.3	12.6	3050	50	12x10.5	32.3
354-4TF-I	410/350-4	4	Tubeless	10.4	3.7	354	50	4x2.75	2.1
404-4TF-I	11x400-4	4	Tubeless	10.7	3.9	330	46	4x2.75	2.6
405-4TF-I	11x400-5	4	Tubeless	10.9	3.9	325	46	5x3.0	2.6
506-4TF-I	13x500-6	4	Tubeless	12.7	4.8	440	40	6x3.25	4.0
556-4TF-I	15X550-6	4	Tubeless	14.4	5.4	740	46	6x4.0	4.6
606-2TF-I	15x600-6	2	Tubeless	14.3	6.0	365	14	6x4.5	5.7
606-4TF-I	15x600-6	4	Tubeless	14.7	6.2	570	30	6x4.5	5.8
658-4TF-I	16x650-8	4	Tubeless	15.7	7.0	620	28	8x5.375	7.6
710-4TF-I	21x700-10	4	Tubeless	20.7	7.1	990	26	10x5.5	10.1
758-4TF-I	16x750-8	4	Tubeless	16.5	7.4	627	24	8x5.375	8.3
7758-4TF-I	17x750-8	4	Tubeless	17.2	7.6	795	24	8x5.375	9.3
808-4TF-I	20x800-8	4	Tubeless	19.6	8.7	950	22	8x7.0	9.7
8512-4TF-I	23x850-12	4	Tubeless	22.6	8.4	1120	22	12x7.0	14.3
858-4TF-K	18x850-8	4	Tubeless	17.8	8.5	816	22	8x7.0	9.2
858-6TF-I	18x850-8	6	Tubeless	17.8	8.5	1050	34	8x7.0	9.2
8658-4TF-I	18x650-8	4	Tubeless	17.8	6.7	770	28	8x5.375	7.9
8758-4TF-I	18x750-8	4	Tubeless	18.0	7.6	705	24	8x5.375	10.0
9512-4TF-I	23x950-12	4	Tubeless	23.6	9.7	1375	24	12x7.0	17.2
958-4TF-I	18x950-8	4	Tubeless	18.2	9.3	1040	24	8x7.0	12.1
958-6TF-I	18x950-8	6	Tubeless	18.7	9.4	1320	36	8x7.0	12.2

SLOW SPEED TIRES LAWN, GARDEN & TURF



K505 Turf505

- The Kenda K505 is designed for commercial landscape and professional turf grass use.
- Broader tread and shoulders are designed to provide excellent stability in all cutting applications.



Part Number	Size	Ply Rating	Type	OD Inches	SW Inches	Max Load	Max PSI	Fits Rim Size	Shipping Weight
1008-4TM-I	20x1000-8	4	Tubeless	19.4	9.6	1190	22	8x7.0	12.5
2412-TM-I	24x1200-12	4	Tubeless	23.9	12.0	1700	20	12x10.5	23.4
2612-4TM-I	26x1200-12	4	Tubeless	25.4	12.1	1780	20	12x10.5	26.3
606-4TM-I	15x600-6	4	Tubeless	14.5	6.2	570	30	6x4.5	5.5
658-4TM-I	16x650-8	4	Tubeless	16.0	6.2	620	28	8x5.375	7.3
858-4TM-I	18x850-8	4	Tubeless	17.7	8.3	815	22	8x7.0	11.1

K382 Turf Pro

- Round Shoulder profile is ideal for use on homeowner riding lawnmowers and yard tractors.



Part Number	Size	Ply Rating	Type	OD Inches	SW Inches	Max Load	Max PSI	Fits Rim Size	Shipping Weight
1008-2TRS-I	20x1000-8	2	Tubeless	20.5	9.6	750	10	8x7.0	12.3
606-2TRS-I	15x600-6	2	Tubeless	14.2	5.8	365	14	6x4.5	5.3
808-2TRS-I	20X800-8	2	Tubeless	18.8	9.0	600	10	8x6.5	10.3
958-2TRS-I	18x950-8	2	Tubeless	18.4	8.9	695	12	8x7.0	10.4

K372 Turf Max

- A popular tire for mower deck gauge wheel applications



Part Number	Size	Ply Rating	Type	OD Inches	SW Inches	Max Load	Max PSI	Fits Rim Size	Shipping Weight
9354-4TR-I	9x350-4	4	Tubeless	9.0	3.7	230	50	4x2.75	2.0

K358 Turf Rider

- Our most popular tire for homeowner riding lawn mowers and tractors.
- Turf friendly chevron tread provides excellent traction.



Part Number	Size	Ply Rating	Type	OD Inches	SW Inches	Max Load	Max PSI	Fits Rim Size	Shipping Weight
1008-2TR-I	20x1000-8	2	Tubeless	20.0	9.7	740	12	8x7.0	12.3
1008-4TR-I	20x1000-8	4	Tubeless	20.0	9.7	1190	22	8x7.0	12.3
354-2TR-I	410/350-4	2	Tubeless	10.4	3.9	260	30	4x2.5	2.4
404-2TR-I	11x400-4	2	Tubeless	11.0	4.0	215	24	4x3.0	2.7
405-2TR-I	11x400-5	2	Tubeless	10.7	3.7	210	22	5x3.0	2.6
408-2TR-I	480x400-8	2	Tubeless	16.0	4.8	435	20	8x3.75	5.3

SLOW SPEED TIRES LAWN, GARDEN & TURF



K358 Turf Rider

- Our most popular tire for homeowner riding lawn mowers and tractors.
- Turf friendly chevron tread provides excellent traction.



Part Number	Size	Ply Rating	Type	OD Inches	SW Inches	Max Load	Max PSI	Fits Rim Size	Shipping Weight
506-2TR-I	13x500-6	2	Tubeless	12.8	4.6	295	20	6x3.25	3.9
506-4TR-I	13x500-6	4	Tubeless	12.8	4.6	440	40	6x3.25	3.8
606-2TR-I	15x600-6	2	Tubeless	14.4	5.9	365	14	6x4.5	5.2
606-4TR-I	15x600-6	4	Tubeless	13.9	5.9	570	30	6x4.5	5.8
656-2TR-I	13x650-6	2	Tubeless	12.7	6.1	305	14	6x4.5	4.6
656-4TR-I	13x650-6	4	Tubeless	12.7	6.1	460	28	6x4.5	4.6
658-2TR-I	16x650-8	2	Tubeless	15.8	6.3	415	40	8x5.375	6.5
658-4TR-I	16x650-8	4	Tubeless	15.9	6.5	620	28	8x5.375	6.5
758-2TR-I	16x750-8	2	Tubeless	16.2	7.4	475	12	8x5.375	8.7
808-2TR-I	20x800-8	2	Tubeless	20.2	8.5	560	10	8x7.0	12.3
808-4TR-I	20x800-8	4	Tubeless	20.2	8.5	950	22	8x7.0	12.3
810-2TR-I	20x800-10	2	Tubeless	20.3	8.0	595	12	10x6.0	12.2
858-2TR-I	18x850-8	2	Tubeless	17.6	8.5	515	10	8x7.0	10.6
858-4TR-I	18x850-8	4	Tubeless	17.6	8.5	815	22	8x7.0	10.5
8658-2TR-I	18x650-8	2	Tubeless	17.2	6.2	515	14	8x5.0	7.5
958-2TR-I	18x950-8	2	Tubeless	18.1	8.9	695	12	8x7.0	10.8
958-4TR-I	18x950-8	4	Tubeless	18.1	8.9	1040	24	8x7.0	10.8

K375 Turf Boss

Part Number	Size	Ply Rating	Type	OD Inches	SW Inches	Max Load	Max PSI	Fits Rim Size	Shipping Weight
8512-4TR-I	23x850-12	4	Tubeless	22.9	8.0	1115	22	12x7.0	13.2
1012-4TR-I	23x1050-12	4	Tubeless	22.8	10.0	1340	20	12x7.0	16.1



K367 Grasshopper

Part Number	Size	Ply Rating	Type	OD Inches	SW Inches	Max Load	Max PSI	Fits Rim Size	Shipping Weight
8658-4GH-I	18x650-8	4	Tubeless	17.9	6.8	515	14	8x5.375	8.5
1008-4GH-I	20x1000-8	4	Tubeless	20.1	9.4	1190	20	8x7.0	14.2



SLOW SPEED TIRES LAWN, GARDEN & TURF



K401 Rib

- The standard tire for Wheelbarrow and Lawn Cart applications, Rib tires are also popular for use on mower decks.



Part Number	Size	Ply Rating	Type	OD Inches	SW Inches	Max Load	Max PSI	Fits Rim Size	Shipping Weight
405-2R-I	11x400-5	2	Tubeless	10.7	3.7	210	22	5x3.0	2.6
406-2LW-I	400-6	2	Tubeless	13.4	4.0	485	29	6x2.50	2.2
408-2LW-I	400-8	2	Tubeless	15.7	3.9	435	30	8x2.50	2.7
408-4LW-I	400-8	4	Tubeless	15.9	3.9	670	42	8X2.50	2.9
506-2R-I	13x500-6	2	Tubeless	12.8	4.6	285	20	6x3.5	4.0
506-4R-I	13x500-6	4	Tubeless	12.8	4.6	440	40	6x3.5	4.0
606-2R-I	15x600-6	2	Tubeless	14.4	6.2	365	14	6x4.5	5.8
606-4R-I	15x600-6	4	Tubeless	14.6	6.3	570	30	6x4.5	5.8
656-4R-I	13x650-6	4	Tubeless	12.7	5.9	465	28	6x4.5	4.2
658-2R-I	16x650-8	2	Tubeless	15.6	6.5	415	14	8x5.375	6.5
658-4R-I	16x650-8	4	Tubeless	15.9	6.6	620	28	8x5.375	6.5
858-4R-I	18x850-8	4	Tubeless	17.4	8.5	815	22	8x7	9.9
958-4R-I	18x950-8	4	Tubeless	18.0	9.1	1040	24	8x7	11.6

K404 Smooth

- Smooth tires are the #1 choice for use on mower decks. The 480x8 Smooth tire is the standard for Commercial Roofing Equipment.



Part Number	Size	Ply Rating	Type	OD Inches	SW Inches	Max Load	Max PSI	Fits Rim Size	Shipping Weight
405-4SM-I	11x400-5	4	Tubeless	11.2	3.9	325	46	5x3.0	2.9
408-2SM-I	480/400-8	2	Tubeless	15.7	3.9	435	30	8x2.50	3.7
408-4SM-I	480/400-8	4	Tubeless	15.7	3.9	670	42	8x2.50	3.7
506-4SML-I	13x500-6	4	Tubeless	12.6	4.8	440	40	6X3.5	3.5
656-4SML-I	13x650-6	4	Tubeless	13.9	13.9	570	30	6x4.5	5.2
8304-4SM-I	8x300-4	4	Tubeless	8.5	3.0	175	60	4x2.1	1.4
9354-4SM-I	9x350-4	4	Tubeless	9.0	3.7	230	50	4x2.75	2.2
958-2SM-I	18x950-8	2	Tubeless	17.6	9.3	705	12	8.7.0	10.8
958-4SM-I	18x950-8	4	Tubeless	18.0	9.2	695	12	8x7.0	10.8

K502 Terra Trac



Part Number	Size	Ply Rating	Type	OD Inches	SW Inches	Max Load	Max PSI	Fits Rim Size	Shipping Weight
1012-4KTT-I	23x1050-12	4	Tubeless	22.3	10.2	1340	20	12x8.5	21.8
1110-4KTT-I	22x1100-10	4	Tubeless	22.3	10.9	1475	22	12x8.0	22.4
1110-6KTT-I	22x1100-10	6	Tubeless	22.2	11.4	1910	34	12x8.0	23.6

SLOW SPEED TIRES LAWN, GARDEN & TURF



K502 Terra Trac



Part Number	Size	Ply Rating	Type	OD Inches	SW Inches	Max Load	Max PSI	Fits Rim Size	Shipping Weight
2612-4KTT-I	26x1200-12	4	Tubeless	25.0	11.6	1780	20	12x8.5	27.5
658-4KTT-I	16x650-8	4	Tubeless	15.7	6.5	620	28	8x5.375	6.2
8510-4KTT-I	18x850-10	4	Tubeless	18.1	7.4	795	22	10x5.5	10.0

K472 Chevron/Bar



Part Number	Size	Ply Rating	Type	OD Inches	SW Inches	Max Load	Max PSI	Fits Rim Size	Shipping Weight
1108-4STBR-I	21x1100-8	4	Tubeless	21.3	10.9	340	5	8x9.0	18.2
1110-4STBR-I	22X1100-10	4	Tubeless	21.3	10.2	1385	22	10x8.5	16.5
2412-4STBR-I	24x1200-12	4	Tubeless	23.6	11.89	1700	20	12x8.5	20.0

K357, K359 & K378 Bar/Lug



Part Number	Size	Ply Rating	Type	OD Inches	SW Inches	Max Load	Max PSI	Fits Rim Size	Shipping Weight
408-2AGL-I	480/400-8	2	Tubeless	16.2	4.7	240	18	8x3.75	7.5
408-4AGL-I	480/400-8	4	Tubeless	16.4	4.7	340	32	8x3.75	7.5
506-2AG-I	13x500-6	2	Tubeless	12.8	4.5	295	20	6x3.5	4.2
658-4AG-I	16x650-8	4	Tubeless	16.7	6.4	615	28	8x5.375	18.2
810-4AGR-I	20x800-10	4	Tubeless	20.5	7.7	895	23	10x6.0	16.6

K352 Stud

- Stud tires are used on a wide range of light industrial, lawn, garden and other smaller equipment when traction is important



Part Number	Size	Ply Rating	Type	OD Inches	SW Inches	Max Load	Max PSI	Fits Rim Size	Shipping Weight
354-2ST-I	410/350-4	2	Tube-Type	10.4	3.4	260	30	4x2.50	2.0
354-2STL-I	410/350-4	2	Tubeless	3.4	3.4	260	30	4x2.50	2.3
354-4ST-I	410/350-4	4	Tube-Type	10.4	3.4	350	50	4x2.50	2.0
354-4STL-I	410/350-4	4	Tubeless	3.4	3.4	350	50	4x2.50	2.3
355-2ST-I	410/350-5	2	Tube-Type	11.5	3.4	255	24	5x3.00	2.5
355-4STL-I	410/350-5	4	Tubeless	11.5	3.5	395	50	5x3.00	2.8

SLOW SPEED TIRES LAWN, GARDEN & TURF



K352 Stud

- Stud tires are used on a wide range of light industrial, lawn, garden and other smaller equipment when traction is important



Part Number	Size	Ply Rating	Type	OD Inches	SW Inches	Max Load	Max PSI	Fits Rim Size	Shipping Weight
356-2ST-I	410/350-6	2	Tube-Type	12.4	3.6	285	24	6x3.25	3.0
356-2STL-I	410/350-6	2	Tubeless	12.4	3.6	285	24	6x3.25	3.3
356-4ST-I	410/350-6	4	Tube-Type	12.4	3.6	440	50	6x3.25	3.0
408-2ST-I	480/400-8	2	Tubeless	16.0	4.0	435	20	8x2.50	5.2
408-4STL-I	480/400-8	4	Tubeless	16.0	4.0	475	36	8x2.50	5.2
456-2ST-I	530/450-6	2	Tube-Type	14.0	4.6	410	18	6x3.25	3.8
456-2STL-I	530/450-6	2	Tubeless	14.9	4.6	635	138	6x3.25	4.2

K353 & K353A Sawtooth

- Sawtooth tires are used on a wide range of light industrial, lawn, garden and other smaller equipment when smooth rolling is important!



Part Number	Size	Ply Rating	Type	OD Inches	SW Inches	Max Load	Max PSI	Fits Rim Size	Shipping Weight
284-4SW-I	280/350-4	4	Tube-Type	9.0	2.6	295	50	4x2.25	1.2
284-4SWL-I	280/250-4	4	Tubeless	9.0	2.6	295	50	4x2.25	1.2
305-4SW-CS	340/300-5	4	Tube-Type	10.7	3.9	385	100	5x3.00	1.8
354-2SWL-I	410/350-4	2	Tubeless	10.4	3.4	260	30	4x2.25	2.3
354-4SW-I	410/350-4	4	Tube-Type	10.4	3.4	350	50	4x2.25	2.0
354-4SWL-I	410/350-4	4	Tubeless	10.4	3.4	350	50	4x2.25	2.3
354-6SWL-I	410/350-4	6	Tubeless	10.4	3.4	370	75	4x2.25	2.5
355-2SW-I	410/350-5	2	Tube-Type	11.5	3.4	255	24	5x3.00	2.5
355-2SWL-I	410/350-5	2	Tubeless	11.5	3.4	255	24	5x3.00	2.8
355-4SW-I	410/350-5	4	Tube-Type	11.5	3.4	395	50	5x3.00	2.5
355-4SWL-I	410/350-5	4	Tubeless	11.5	3.4	395	50	5x3.00	2.8
356-2SW-I	410/350-6	2	Tube-Type	12.4	3.6	285	24	6x3.25	3.0
356-4SW-I	410/350-6	4	Tube-Type	12.4	3.6	440	50	6x3.25	3.3
356-4SWL-I	410/350-6	4	Tubeless	12.4	3.6	440	50	6x3.25	3.5
356-6SWL-I	410/350-6	6	Tubeless	12.4	3.6	550	80	6x3.25	5.0
408-2SW-I	480/400-8	2	Tubeless	16.0	4.6	390	30	8x3.75	3.8
456-4SW-I	530/450-6	4	Tube-Type	14.0	4.6	535	38	6x3.25	4.0
456-6SWL-I	530/450-6	6	Tubeless	14.4	4.68	712	60	6x3.50	4.5

SLOW SPEED TIRES GOLF CAR



K389 Hole-N-1

- The preferred tire in today's golf car market.
- Standard equipment for Club Car and Yamaha



Part Number	Size	Ply Rating	Type	OD Inches	SW Inches	Max Load	Max PSI	Fits Rim Size	Shipping Weight
858-4SW-I	18x850-8	4	Tubeless	17.6	8.5	815	22	8x7.0	10.2
858-6SW-I	18x850-8	6	Tubeless	17.7	8.6	1050	32	8x7.0	10.7

K399 Pro-Tour K399 Pro-Tour Radial

- The premium golf car tire, available in either bias or radial ply construction.



Part Number	Size	Ply Rating	Type	OD Inches	SW Inches	Max Load	Max PSI	Fits Rim Size	Shipping Weight
810B-PT-I	205/50-10	4	Tubeless	18.3	7.7	664	30	10x6.0	10.0
810B-PTR-I	205/50R-10	4	Tubeless	18.3	7.7	835	30	10x6.0	10.5

SLOW SPEED TIRES GO-KART



K404 Go-Kart Slicks

- Go-Kart Slicks are for recreational use only, they are not designed for commercial, concession track competition use.



Part Number	Size	Ply Rating	Type	OD Inches	SW Inches	Max Load	Max PSI	Fits Rim Size	Shipping Weight
354-35SL-I	410/350-4	4	Tube-Type	10.1	3.7	352	50	4x2.50	3.2
355-35SL-I	410/350-5	4	Tube-Type	11.1	3.7	395	50	5x3.00	3.5
356-35SL-I	410/350-6	4	Tube-Type	12.4	3.7	440	50	6x3.25	3.5

SLOW SPEED TIRES SNOW THROWER



K398A Polar Trac

- Polar Trac is a popular Kenda pattern used on many snow blower brands in the market today.
- Engineered for exceptional traction in mud or snow
- Designed for maximum stability.



Part Number	Size	Ply Rating	Type	OD Inches	SW Inches	Max Load	Max PSI	Fits Rim Size	Shipping Weight
354-2STT-I	410/350-4	2	Tubeless	11.1	3.5	210	20	4x2.5	2.3
356-2STT-I	410/350-6	2	Tubeless	12.4	3.9	285	24	6x3.25	2.7
408-2STT-I	480/400-8	2	Tubeless	16.4	4.7	435	30	8x3.75	5.0
506-2STT-I	13x500-6	2	Tubeless	12.8	4.7	285	20	6x3.5	3.8
556-2STT-I	15x500-6	2	Tubeless	14.6	5.0	365	20	6x3.5	4.7
658-2STT-I	16x650-8	2	Tubeless	16.5	6.5	415	14	8x5.375	6.6

SLOW SPEED TIRES GRAY NON-MARKING



Gray Non-Marking Tires

- Known worldwide for meeting and beating the highest quality standards in today's healthcare & hospitality markets.
- Scientifically formulated and designed to provide extra-long wear, positive traction and a more comfortable ride



Part Number	Size	Ply Rating	Tread / Type	OD Inches	SW Inches	Max Load	Max PSI	Fits Rim Size	Shipping Weight
284-4SW-CS-GR	280/250-4	4	Sawtooth / TT	9.0	2.6	295	50	4x2.25	1.4
304-4R-CS-GR	300-4	4	Rib / TT	10.2	3.3	250	46	4x2.10	1.5
304-4TF-CS-GR	300-4	4	Turf / TT	10.2	3.3	250	46	4x2.10	1.5
308-4TF-CS-GR	300-8	4	Turf / TT	10.2	3.3	250	46	4x2.10	3.1
356-4SW-CS-GR	410/350-6	4	Sawtooth / TT	12.2	3.3	440	50	6x3.25	3.2
356-4U-CS-GR	310/350-6	4	Universal / TT	12.4	3.4	395	50	6x3.25	3.2
9354-4TR-CS-GR	9x350-4	4	Traction / TT	9.0	3.7	350	50	4x2.75	2.1

SLOW SPEED TIRES AGRICULTURE



K401 Farm Rib



Part Number	Size	Ply Rating	Type	OD Inches	SW Inches	Max Load	Max PSI	Fits Rim Size	Shipping Weight
95L15-8R-I	9.5L-15	8	Tubeless	28.8	8.6	2470	44	7x15.0	27.8
11L15-8R-1	11L-15	8	Tubeless	30.1	9.3	2540	36	8x15.0	31.6

SLOW SPEED TIRES SKID-STEER



K395 Power Grip

- Built to work harder so you can get the job done!
- Engineered beyond industry requirements to withstand the toughest conditions and challenges
- Specially designed to endure wear and tear.



Part Number	Size	Ply Rating	Type	OD Inches	SW Inches	Max Load	Max PSI	Fits Rim Size	Shipping Weight
1065-8PG-I	10-16.5	8	Tubeless	30.2	10.8	4140	60	16.5x8.25	52.3
1065-10PG-I	10-16.5	10	Tubeless	30.2	10.8	4780	70	16.5x8.25	60.2
1265-10PG-I	12-16.5	10	Tubeless	32.5	12.0	5600	65	16.5x9.75	75.3
1265-12PG-I	12-16.5	12	Tubeless	32.5	12.0	6380	75	16.5x9.75	78.2
8512-6PG-I	23x8.50-12	6	Tubeless	22.5	8.5	1810	50	12x7.00	22.7
8515-6PG-I	27x8.50-15	6	Tubeless	26.5	8.8	1570	45	12x7.00	31.5

NOTES:

INNER TUBES



Inner Tubes - Packaged

Part Number	Fits Tire Size	Case Quantity	Also Fits Tire Sizes	Valve Stem	Style	Shipping Weight
LAWN & GARDEN						
T254K	280/250-4	50	8x300-4	TR87	90° Bent	0.3
T354K	410/350-4	50	10.5x350-4	TR87	90° Bent	0.3
T9354K	9x350-4	50		TR87	90° Bent	0.3
T305K	340/300-5	50		TR87	90° Bent	0.4
T355K	410/350-5	50		TR87	90° Bent	0.5
T405K	11x400-5	50		TR13	Straight	0.4
T356K	410/350-6	50	400x6; 12.5x450-6	TR87	90° Bent	0.4
T406K	400-6	50		TR13	Straight	0.4
T456K	530/450-6	50		TR87	90° Bent	0.5
T506K	13x500-6	50		TR13	Straight	0.6
T506-87K	13x500-6	50		TR87	90° Bent	0.6
T656K	13x650-6	50		TR13	Straight	0.9
T606-13K	15x600-6	50		TR13	Straight	0.8
T358K	350-8	50		TR13	Straight	0.7
T408K	480/400-8	50	16X550-8; 5-8	TR13	Straight	0.7
T658K	16x650-8	50	16X750-8; 18X650/750-8	TR13	Straight	1.1
T808K	20x800-8	50		TR13	Straight	1.9
T858K	18x850-8	20	18X950-8; 20X1000-8	TR13	Straight	1.9
T1008K	20x1000-8	20		TR13	Straight	1.9
T810K	20x800-10	20		TR13	Straight	2.3
T8512K	23X850-12	20	23x950-12	TR13	Straight	2.7
T1012K	23X1050-12	20	24x1200-12; 26x1200-12	TR13	Straight	2.7
ATV & UTV						
T708K	20X700-8	20		TR6	Straight	1.9
T858-6K	18x850-8	20		TR6	Straight	1.9
T1208-6K	22X1100-8	20		TR6	Straight	2.5
T1209K	25X1200-9	20		TR6	Straight	2.7
T810-6K	20X800-10	20	20x1000-10	TR6	Straight	2.3
T812K	25X800-12	20		TR6	Straight	2.7
HIGH SPEED TRAILER						
T408KHS	480-8	50		TR13	Straight	0.7
T508K	570-8	50		TR13	Straight	1.1
T609-135K	690-9	20		TR13	Straight	1.5
T810KHS	20X800-12	20	205/65-10	TR13	Straight	2.3
T412K	480-12	50		TR13	Straight	1.1
T452K	530-12	50		TR13	Straight	1.2



Martin Wheel packaging is color coded for ease in identification for different applications:
Green - Slow Speed; Blue - High Speed

INNER TUBES



Inner Tubes - Packaged

Part Number	Fits Tire Size	Case Quantity	Also Fits Tire Sizes	Valve Stem	Style	Shipping Weight
LIGHT TRUCK						
T50015K	400/500-15	50		TR15	Straight	1.6
T65015K	650-15	15	550/600/650-15; LT185/75-15	TR15	Straight	2.8
T65016-15K	600/650-16	15		TR15	Straight	3.0
T75016-75K	700/750-16	15		TR75A	90° Bent	3.5
HEAVY DUTY TRUCK						
T9020	900-12	7		TR175A	90° Bent	5.8
T1020	1000-12	6		TR175A	90° Bent	6.6
AGRICULTURAL						
T4019K	400-19	50		TR15	Straight	1.4
T9.5L-15K	9.5L-15	15	7.5L/9.5L-14/15	TR13	Straight	2.8
T12.5L-16K	12.5L-15	15	11L/12.5L-15/16	TR13	Straight	4.1
T1065K	9.5/10-16.5	15		TR15CW	Straight	5.8
T1265K	12-16.5	10		TR15CW	Straight	7.0
AUTOMOTIVE						
TFR1314K	FR13/14	20	155/165/175/80R13; 145/155/165R-14; 175/185/75R-15; 500/520/560 /590/600/615-13; 500/520/560/600/650-14; 135/125/155/165-13; 155/165-13	TR13	Straight	1.5
TGR-13K	GR13/14	20	165/175/185R13; 186/80R13; 165/175.185R14; 185/195/ 205/75R14	TR13	Straight	1.9
TFR1513K	FR15	20	125/135/145/155/165R15; 500/520/550/ 560/600-15	TR13	Straight	1.6
TGR1513K	GR15	20	165/175/185R15; 185/195/75R15; 550/560/590/600/640/ 650/670/685/700/735-15	TR13	Straight	2.8
TKR1415K	KR14/KR15	20		TR13	Straight	2.4
TMR1415K	MR14/15	20		TR13	Straight	3.2



Martin Wheel packaging is color coded for ease in identification for different applications:
Green - Slow Speed; Blue - High Speed

INNER TUBES



Inner Tubes - Bulk Loose or in Poly Bag

Part Number	Fits Tire Size	Case Quantity	Also Fits Tire Sizes	Valve Stem	Style	Shipping Weight
T254	280/250-4	160	8x300-4	TR87	90° Bent	0.3
T254-P	280/250-4	160	8x300-4	TR87-P	90° Parallel	0.3
T304	300-4	50	260/85-4	TR87-P	90° Parallel	0.3
T354	410/350-4	100	10.5x350-4	TR87	90° Bent	0.3
T354-13	410/350-4	100	10.5x350-4	TR13	Straight	0.3
T354-P	410/350-4	100	10.5x350-4	TR87-P	90° Parallel	0.3
T9354	9x350-4	110		TR87	90° Bent	0.3
T9354-P	9x350-4	110		TR87-P	90° Parallel	0.4
T305	340/300-5	100		TR87	90° Bent	0.4
T305-P	340/300-5	100		TR87-P	90° Parallel	0.4
T355	410/350-5	100		TR87	90° Bent	0.5
T355-13	410/350-5	100		TR13	Straight	0.5
T405	11x400-5	100		TR13	Straight	0.4
T405-87	11x400-5	100		TR87	90° Bent	0.4
T356	410/350-6	100	400x6; 12.5x450-6	TR87	90° Bent	0.4
T356-13	410/350-6	100	400x6; 12.5x450-6	TR13	Straight	0.4
T406	400-6	100		TR13	Straight	0.4
T456	530/450-6	80		TR87	90° Bent	0.5
T456-13	530/450-6	80		TR13	Straight	0.5
T606	12x600-6	65		TR13	Straight	0.6
T506	13x500-6	65		TR13	Straight	0.6
T506-87	13x500-6	65		TR87	90° Bent	0.6
T656	13x650-6	60		TR13	Straight	0.9
T656-87	13x650-6	60		TR87	90° Bent	0.9
T4706	14.5x700-6	60		TR87	90° Bent	0.9
T606-13	15x600-6	60		TR13	Straight	0.8
T606-87	15x600-6	60		TR87	90° Bent	0.8
T806	800-6	25		JS-87C	90° Bent	1.9
T308	300-8	50		TR13	Straight	0.5
T408	480/400-8	75	16X550-8; 5-8	TR13	Straight	0.7
T408-87	480/400-8	75	16X550-8; 5-8	TR87	90° Bent	0.7
T508	570-8	50		TR13	Straight	1.1



TR-13 Valve Stem



TR-87 Bent Valve Stem



JS-6 Valve Stem



TR-6 Valve Stem



TR-15 Valve Stem



TR-175A Valve Stem



TR-150 Valve Stem

INNER TUBES



Inner Tubes - Bulk Loose or in Poly Bag



Part Number	Fits Tire Size	Case Quantity	Also Fits Tire Sizes	Valve Stem	Style	Shipping Weight
T508-135	570-8	50	475X775	TR135	Straight	1.1
T808	20x800-8	25		TR13	Straight	1.9
T858	18x850-8	25	18X950-8; 20X1000-8	TR13	Straight	1.9
T8658	18x650-8	50	18X750-8	TR13	Straight	1.1
T1008	20x1000-8	25		TR13	Straight	1.9
T609-13	690-9	40		TR13	Straight	1.7
T609-135	690-9	40		TR135	Straight	1.7
T1009	20X1000-9	20		TR6	Straight	2.7
T810	20X800-10	20		TR13	Straight	2.3
T1010	20X1000-10	20		TR13	Straight	2.3
T412	480-12	35		TR13	Straight	1.1
T452	530-12	40		TR13	Straight	1.3
T8512	23X850-12	20		TR13	Straight	2.7
T1012	23X1050-12	20		TR13	Straight	2.7
T50015	400/500-15	25		TR15	Straight	1.6
T65015	650-15	16	550/600/650-15; LT185/75-15	TR150	Straight	2.8
T75015	750-15	15	700/750/825-15; LT205/225/235/75-15	TR15	Straight	2.6
T65016	600/650-16	18		TR15	Straight	3.1
T65016-15	600/650-16	14		TR150	Straight	3.0
T8512	23X850-12	20		TR13	Straight	2.7
T75016	750-16	12	700/750-16; 215/225/235/85-16; LT225/245/75-16	TR150	Straight	3.7
T75016-15	750-16	12	700/750-16; 215/225/235/85-16; LT225/245/75-16	TR15	Straight	3.3
T9020	900-12	7		TR175A	90° Bent	5.8
T1020	1000-12	6		TR175A	90° Bent	6.6
T4019	400-19	45		TR15	Straight	1.4
T9.5L-15	9.5L-15	14	7.5L/9.5L-14/15	TR13	Straight	2.8
T12.5L-16	12.5L-15	12	11L/12.5L-15/16	TR13	Straight	4.1
TFR1314	FR13/14	33	155/165/175/80R13; 145/155/165R-14; 175/185/75R-15; 500/520/560/590/600/615-13; 500/520/560/600/650-14; 135/125/155/165-13; 155/165-13	TR13	Straight	1.5
TFR1513	FR15	30	125/135/145/155/165R15; 500/520/550/560/600-15	TR13	Straight	1.6
TGR1513	GR15	16	165/175/185R15; 185/195/75R15; 550/560/590/600/640/650/670/685/700/735-15	TR13	Straight	2.8
TKR1415	M14	22		TR13	Straight	2.4
TMR1415	MR14	22	MR14-15	TR13	Straight	3.2

OUTDOOR POWER EQUIPMENT



BOBCAT

Flat-Free Front Caster Wheels



Part Number	Replaces	Rim Color	Tire Size/ Tread	Wheel Type	Hub Length Offset	Bearing Size Type	Maximum Load	Max Speed MPH	Shipping Weight
9354DB-U34BC	P/N# 38209	Red	9x350-4/Smooth	3pc	4" Cntrd	3/4" OCRB	200	6	6.5
9354DB-U-BC	P/N# 38510	Red	9x350-4/Smooth	3pc	4" Cntrd	5/8" OCRB	200	6	6.5
284DB-U-BC	P/N# 38209	Red	280/250-4/Sawtooth	3pc	3-1/4" Cntrd	1" OCRB	200	6	5.0

Pneumatic Front Caster Wheels



Part Number	Replaces	Rim Color	Tire Size/ Tread	Wheel Type	Hub Length Offset	Bearing Size Type	Maximum Load	Max Speed MPH	Shipping Weight
284DB4-BC	P/N# 38209	Red	280/250-4/Sawtooth	3pc	3-1/4" Cntrd	1" OCRB	295	10	4.5
9354DB-34-BC	P/N# 38810	Red	9x350-4/Smooth	3pc	4" Cntrd	3/4" OCRB	230	10	6.0
9354DB-BC	P/N# 38510	Red	9x350-4/Smooth	3pc	4" Cntrd	5/8" OCRB	230	10	6.0

Solid Rubber Deck Wheels



Part Number	Replaces	Rim Color	Tire Size/ Tread	Wheel Type	Hub Length Offset	Bearing Size Type	Maximum Load	Max Speed MPH	Shipping Weight
ZP61HD-150	P/N# 38012N	Silver	6 x 2.00"/Rib	1pc	2-1/4" Cntrd	5/8" BB	150	10	3.0

Pulley Drive Wheels



Part Number	Replaces	Rim Color	Tire Size/ Tread	Wheel Type	Hub Length Offset	Bearing Size Type	Maximum Load	Max Speed MPH	Shipping Weight
656PDR9-4TRI	P/N # 36291	Red	13x650-6 Traction	8-1/8" Offset w/ 9" Dual Pulleys and Brake Drum		1" BB	460	10	13.0
656PDR-4TR-I	P/N # 380096C	Red	13x650-6 Traction	6-9/16" Offset w/ 9" Single Pulley and Brake Drum		7/8" OCRB	460	10	13.0

OEM part numbers are for reference only.

OUTDOOR POWER EQUIPMENT



BUNTON

Pneumatic Front Caster Wheels



Part Number	Replaces	Rim Color	Tire Size/Tread	Wheel Type	Hub Length Offset	Bearing Size Type	Maximum Load	Max Speed MPH	Shipping Weight
355DC-BJ	P/N# PAL0942A	Yellow	410/350-5/Sawtooth	1pc	3" Cntrd	3/4" PFBB	255	10	6.0

Solid Rubber Deck Wheels



Part Number	Replaces	Rim Color	Tire Size/Tread	Wheel Type	Hub Length Offset	Bearing Size Type	Maximum Load	Max Speed MPH	Shipping Weight
ZP61-HD-BN	P/N # PL0642	Yellow	6 x 2.00"/Rib	1pc	2-1/4" Cntrd	5/8" OCRB	200	10	3.0

Pulley Drive Wheels



Part Number	Replaces	Rim Color	Tire Size/Tread	Offset/Wheel Type	Bearing Size Type	Maximum Load	Max Speed MPH	Shipping Weight
656PDY-4TR-I	P/N # PAL1075A	Yellow	13x650-6/Traction	6-9/16" Offset w/ 9" Single Pulley and Brake Drum	7/8" OCRB	460	10	13.0

CASE

Plastic Deck & Gauge Wheels



Part Number	Replaces	Rim Color	Tire Size/Tread	Wheel Type	Hub Length Offset	Bearing Size / Type	Max Load	Max Speed MPH	Shipping Weight
PL538-JD	P/N # C25139	Black	5 x 1-3/8"/Smooth	1pc	1-1/2" Cntrd	1/2" Bush	50	10	0.5
PL638-JD	P/N # C25140	Black	6 x 1-3/8"/Smooth	1pc	1-1/2" Offset	1/2" Bush	55	10	0.5
JW-6P	P/N # C256782	Black	6 x 2"/Smooth	1pc	2-1/4" Cntrd	5/8" Plain Bore	50	10	0.5

OEM part numbers are for reference only.

OUTDOOR POWER EQUIPMENT



DIXIE CHOPPER

ZTR Front Steering Wheels



Part Number	Replaces	Rim Color	Tire Size/ Tread	Wheel Type	Hub Length Offset	Bearing Size Type	Maximum Load	Max Speed MPH	Shipping Weight
506DC-DIXIE	P/N# 10202	Silver	13x500-6 Rib	1pc	3-3/4" Cntrd	5/8" PFBB	440	10	6.9
656DC-DIXIE	P/N# 97166	Silver	13x650-6 Rib	1pc	3-3/4" Cntrd	5/8" PFBB	465	10	7.4

ENCORE

Pneumatic Front Caster Wheels



Part Number	Replaces	Rim Color	Tire Size/ Tread	Wheel Type	Hub Length Offset	Bearing Size Type	Maximum Load	Max Speed MPH	Shipping Weight
354DB-SL	P/N # 3633114	White	410/350-4 Smooth	3pc	3-1/4" Cntrd	3/4" OCRB	354	10	5.5

Pulley Drive Wheels



Part Number	Replaces	Rim Color	Tire Size/ Tread	Offset/Wheel Type	Bearing Size Type	Maximum Load	Max Speed MPH	Shipping Weight
656PDW8-4TRI	P/N # 362408	White	13x650-6 Traction	8-1/2" Offset w/ 8" Dual Pulleys and Brake Drum	1" BB	460	10	13.0

EXMARK

Flat-Free Front Caster



Part Number	Replaces	Rim Color	Tire Size/ Tread	Wheel Type	Hub Length Offset	Bearing Size Type	Max Load	Max Speed MPH	Shipping Weight
9354DC-U-EM	P/N # 913648	White	9x350-4 Smooth	1pc	4-1/2" Cntrd	3/4" OCRB	200	6	6.5

OEM part numbers are for reference only.

OUTDOOR POWER EQUIPMENT



EXMARK

Pneumatic Front Caster



Part Number	Replaces	Rim Color	Tire Size/ Tread	Wheel Type	Hub Length Offset	Bearing Size Type	Maximum Load	Max Speed MPH	Shipping Weight
9354DC4-EM	P/N # 513648	White	9x350-4 Smooth	1pc	4-1/2" Cntrd	3/4" OCRB	230	10	5.5

Pulley Drive Wheel



Part Number	Replaces	Rim Color	Tire Size/ Tread	Wheel Type	Hub Length Offset	Bearing Size Type	Max Load	Max Speed MPH	Shipping Weight
656PDW-4TR-I	P/N # 1-304173	White	13x650-6 Traction	6-9/16" Offset w/ 9" Single Pulley and Brake Drum		7/8" OCRB	460	10	13.0

ZTR Front Steering Wheels



Part Number	Replaces	Rim Color	Tire Size/ Tread	Wheel Type	Hub Length Offset	Bearing Size Type	Maximum Load	Max Speed MPH	Shipping Weight
506DC4-562SM	P/N # 633582	White	13x500-6 Smooth	1pc	5-5/8" Cntrd	3/4" Taper Cup & Cone	440	10	7.5

ZTR Rear Drive Wheels



Part Number	Replaces	Rim Color	Tire Size/ Tread	Wheel Type	Hub Length Offset	Bearing Size Type	Maximum Load	Max Speed MPH	Shipping Weight
DM658-4TR-EM	P/N # 603714	White	16x650-8 Traction	8 x 5.375 .87 Neg Offset		4 hole 4" Bolt Circle	520	10	13.0
DM758-TR-EM	P/N # 603627	White	16x750-8 Traction	8 x 5.375 .87 Neg Offset		4 hole 4" Bolt Circle	475	10	14.3
DM1008-4TF-I	P/N # 543396	White	20x1000-8 Turf	8 x 7 Centered		4 hole 4" Bolt Circle	1190	10	18.4

Plastic Gauge Wheel



Part Number	Replaces	Rim Color	Tire Size/ Tread	Wheel Type	Hub Length Offset	Bearing Size Type	Maximum Load	Max Speed MPH	Shipping Weight
PL5275-OF	P/N # 603299	Black	5 x 2-3/4" Smooth	1pc	2-1/2" Offset	5/8" Plain Bore	50	5	0.5

OEM part numbers are for reference only.

OUTDOOR POWER EQUIPMENT



FD KEES

Pneumatic Front Caster Wheel



Part Number	Replaces	Rim Color	Tire Size/ Tread	Wheel Type	Hub Length Offset	Bearing Size Type	Maximum Load	Max Speed MPH	Shipping Weight
354DB-K	P/N # 362105	White	410/350-4 Sawtooth	3pc	4" Cntrd	3/4" OCRB	354	10	5.8

Pulley Drive Wheel



Part Number	Replaces	Rim Color	Tire Size/ Tread	Wheel Type	Hub Length Offset	Bearing Size Type	Maximum Load	Max Speed MPH	Shipping Weight
656PDW-4TR-I	P/N # 362046	White	13x650-6 Traction	6-9/16" Offset w/ 9" Single Pulley and Brake Drum		7/8" OCRB	460	10	13.0

FERRIS

Pneumatic Front Caster Wheels



Part Number	Replaces	Rim Color	Tire Size/ Tread	Wheel Type	Hub Length Offset	Bearing Size Type	Maximum Load	Max Speed MPH	Shipping Weight
9354DB-SM34R	P/N # 5021181	White	9x350-4 Smooth	3pc	4" Cntrd	3/4" OCRB	230	10	6.0

GILSON

Plastic Gauge Wheels



Part Number	Replaces	Rim Color	Tire Size/ Tread	Wheel Type	Hub Length Offset	Bearing Size Type	Maximum Load	Max Speed MPH	Shipping Weight
PL538-JD	P/N # 210453	Black	5 x 1-3/8" Smooth	1pc	1-1/2" Cntrd	1/2" Bush	50	5	0.5
PL638-JD	P/N # 208918	Black	6 x 1-3/8" Smooth	1pc	1-1/2" Offset	1/2" Bush	50	5	0.5
JW-6P	P/N # 208736	Black	6 x 2" Smooth	1pc	2-1/8" Cntrd	5/8" Plain Bore	50	5	0.5

OEM part numbers are for reference only.

OUTDOOR POWER EQUIPMENT



GRASSHOPPER

Front Caster Wheels



Part Number	Replaces	Rim Color	Tire Size/Tread	Wheel Type	Hub Length Offset	Bearing Size Type	Maximum Load	Max Speed MPH	Shipping Weight
9354DC-GH	P/N # 913648	Tan	9x350-4 Smooth	1pc	3-1/2" Cntrd	5/8" PFBB	230	10	6.5
9354DC-U-GH	P/N # 913648	Tan	9x3.50-4 Smooth Flat Free	1pc	3-1/2" Cntrd	5/8" PFBB	200	6	6.1

Pneumatic Steering Wheel



Part Number	Replaces	Rim Color	Tire Size/Tread	Wheel Type	Hub Length Offset	Bearing Size Type	Maximum Load	Max Speed MPH	Shipping Weight
506DC-GH	P/N # 603295	Tan	13x500-6 Rib	1pc	3-3/4" Cntrd	5/8" PFBB	440	10	7.5

GRAVELY

2 Wheel Tractor Drive Wheel



Part Number	Replaces	Rim Color	Tire Size/Tread	Wheel Type	Hub Length Offset	Bearing Size Type	Maximum Load	Max Speed MPH	Shipping Weight
408GR-AG-R	P/N# 10141 (Right)	White	480-8 Bar/Lug	2pc	6 Hole x 6-3/4" BC		240	10	11.0
408GR-AG-L	P/N# 10141 (Left)	White	480-8 Bar/Lug	2pc	6 Hole x 6-3/4" BC		240	10	11.0

Solid Rubber Deck Wheels



Part Number	Replaces	Rim Color	Tire Size/Tread	Wheel Type	Hub Length Offset	Bearing Size Type	Maximum Load	Max Speed MPH	Shipping Weight
ZP61-HD-B	P/N # 011386	White	6 x 2.00 Rib	1pc	2-1/2" Cntrd	3/4" Bush	200	5	3.3
ZP61HD-BB-OF	P/N # 034426	White	6 x 2.00 Rib	1pc	1-3/4" Offset	3/4" BB	200	5	3.3

OEM part numbers are for reference only.

OUTDOOR POWER EQUIPMENT



GRAVELY

Flat-Free Front Caster Wheel



Part Number	Replaces	Rim Color	Tire Size/Tread	Wheel Type	Hub Length Offset	Bearing Size Type	Maximum Load	Max Speed MPH	Shipping Weight
284DB-U-G	P/N # 37797	White	280/350-4 Sawtooth	3pc	3-1/4" Cntrd	3/4" OCRB	220	6	5.0
9354DB-U-GR	P/N # 45205	White	9x350-4 Smooth	3pc	3-1/4" Cntrd	3/4" OCRB	200	6	5.8

Pulley Drive Wheel



Part Number	Replaces	Rim Color	Tire Size/Tread	Wheel Type	Hub Length Offset	Bearing Size Type	Maximum Load	Max Speed MPH	Shipping Weight
656PDW-4TR-I	P/N # 34347	White	13x650-6 Traction	6-9/16" Offset w/ 9" Single Pulley and Brake Drum		7/8" OCRB	460	10	13.0

GREAT DANE

ZTR Front Wheel



Part Number	Replaces	Rim Color	Tire Size/Tread	Wheel Type	Hub Length Offset	Bearing Size Type	Maximum Load	Max Speed MPH	Shipping Weight
506DB-5625-Y	P/N # D38009	Yellow	13x500-6 Smooth	3pc	5-5/8" Cntrd	3/4" Taper Cup & Cone	440	10	7.0

HUSQVARNA

Cutting Deck Caster Wheel



Part Number	Replaces	Rim Color	Tire Size/Tread	Wheel Type	Hub Length Offset	Bearing Size Type	Maximum Load	Max Speed MPH	Shipping Weight
405DC-LG-HTC	P/N 516001901	Silver	11x400-5 Smooth	1pc	4.18" Cntrd	3/4" Bush	325	10	5.0

OEM part numbers are for reference only.

OUTDOOR POWER EQUIPMENT



HUSQVARNA

ZTR Front Steering Wheel



Part Number	Replaces	Rim Color	Tire Size/Tread	Wheel Type	Hub Length Offset	Bearing Size Type	Maximum Load	Max Speed MPH	Shipping Weight
656DC-725HTC	P/N# 575383701	Silver	13x650-6 Smooth	1pc	7-1/2" Cntrd	3/4" OCRB	460	10	7.5

ZTR Rear Drive Wheel



Part Number	Replaces	Rim Color	Tire Size/Tread	Wheel Type	Maximum Load	Max Speed MPH	Shipping Weight
858GK-TF-HTC	P/N # 539110470	Silver	18x850-8 Turf	8 x 7 Centered - 4 hole 4" Bolt Circle	816	10	15.0

JACOBSEN

Pneumatic Front Caster Wheel



Part Number	Replaces	Rim Color	Tire Size/Tread	Wheel Type	Hub Length Offset	Bearing Size Type	Maximum Load	Max Speed MPH	Shipping Weight
354DB-EJ	P/N # 552284	White	410/350-4 Stud	3pc	3-1/4" Offset	3/4" OCRB	260	10	5.8

Pulley Drive Wheel



Part Number	Replaces	Rim Color	Tire Size/Tread	Wheel Type	Hub Length Offset	Bearing Size Type	Maximum Load	Max Speed MPH	Shipping Weight
656PDW-4TR-I	P/N # 552217	White	13x650-6 Traction	6-9/16" Offset w/ 9" Single Pulley and Brake Drum		7/8" OCRB	460	10	13.0

OEM part numbers are for reference only.

OUTDOOR POWER EQUIPMENT



JOHN DEERE

Plastic Deck & Gauge Wheels



Part Number	Replaces	Rim Color	Tire Size/Tread	Wheel Type	Hub Length Offset	Bearing Size Type	Maximum Load	Max Speed MPH	Shipping Weight
PL412-OF	P/N # AM89339	Black	4 x 1-1/2" Smooth	1pc	1-1/2" Offset	1/2" Plain Bore	50	5	0.5
PL638-JD	P/N # AM32639	Black	6 x 1-3/8" Smooth	1pc	1-1/2" Offset	1/2" Bush	55	5	0.5
PL538-JD	P/N # AM33718	Black	5 x 1-3/8" Smooth	1pc	1-1/2" Cntrd	1/2" Bush	50	5	0.5
PL414	P/N # AM81716	Black	4 x 1-1/4" Smooth	1pc	1-7/16" Offset	1/2" Plain Bore	50	5	0.5
PL530-JD	P/N # AM84690	Black	5 x 3" Smooth	1pc	2-1/2" Offset	1/2" Bush	50	5	0.5

Flat-Free Front Caster Wheels



Part Number	Replaces	Rim Color	Tire Size/Tread	Wheel Type	Hub Length Offset	Bearing Size Type	Maximum Load	Max Speed MPH	Shipping Weight
9354DC-U-JD	P/N # AM11510	Yellow	9x3.50-4 Smooth	1pc	4" Cntrd	3/4" OCRB	200	6	6.1
405DBUSM4C1R	P/N # AM101589	White	11X400-5 Smooth	3pc	4" Cntrd	3/4" OCRB	200	6	7.5

Pneumatic Front Caster Wheels



Part Number	Replaces	Rim Color	Tire Size/Tread	Wheel Type	Hub Length Offset	Bearing Size Type	Maximum Load	Max Speed MPH	Shipping Weight
405DC5-SM	P/N # AM101589	White	11x400-5 Smooth	1pc	5" Cntrd	3/4" OCRB	320	10	6.0
355DC-BJ	P/N # PT8639	Yellow	410/350-5 Sawtooth	1pc	3" Cntrd	3/4" PFBB	255	10	6.0

OEM part numbers are for reference only.

OUTDOOR POWER EQUIPMENT



KUBOTA

Flat-Free Front Caster Wheel



Part Number	Replaces	Rim Color	Tire Size/Tread	Wheel Type	Hub Length Offset	Bearing Size Type	Maximum Load	Max Speed MPH	Shipping Weight
9354DB-KTC-F	P/N #70000-00913	Orange	9x350-4 Smooth Foam Filled	3pc	3-1/4" Cntrd	3/4" OCRB	200	6	6.5

Pneumatic Front Caster Wheel



Part Number	Replaces	Rim Color	Tire Size/Tread	Wheel Type	Hub Length Offset	Bearing Size Type	Maximum Load	Max Speed MPH	Shipping Weight
9354DB-KTC	P/N #76543-42230	Orange	9x350-4 Smooth	3pc	3-1/4" Cntrd	3/4" OCRB	354	10	5.8

Solid Rubber Gauge Wheels



Part Number	Replaces	Rim Color	Tire Size/Tread	Wheel Type	Hub Length Offset	Bearing Size Type	Maximum Load	Max Speed MPH	Shipping Weight
21804-KTC	P/N #70000-00607	Black	5.8 x 2.6 Solid Rubber	1pc	2.95" Cntrd	.790 Bushing	250	10	4.0
21805-KTC	P/N #70000-00608	Black	5.8 x 2.0 Solid Rubber	1pc	2.17" Cntrd	.791 Bushing	250	10	4.0

LAWN BOY

Consumer & Commercial Walk Behind Lawnmower Wheels



Part Number	Replaces	Rim Color	Tire Size/Tread	Wheel Type	Hub Length Offset	Bearing Size Type	Maximum Load	Max Speed MPH	Shipping Weight
615-OF-LB	P/N # 678636 P/N # 679291	White	6 x 1.50 Smooth	1pc	1-1/2" Offset	1/2"BB	100	5	1.3
875-OF-LB	P/N # 679293 P/N # 678553	White	8 x 1.75 Smooth	1pc	1-1/2" Offset	1/2"BB	100	5	2.0
615-OFLBC-HD	P/N # 682979	Orange	6x1.50 Smooth	1pc	2" Offset	1/2" BB	100	5	1.3
875-OFLBC-HD	P/N # 681890 P/N # 682131	Orange	8x1.75 HD Smooth	1pc	2" Offset	1/2" BB	110	5	2.5

OEM part numbers are for reference only.

OUTDOOR POWER EQUIPMENT



LESCO

Pneumatic Front Caster Wheel



Part Number	Replaces	Rim Color	Tire Size/Tread	Wheel Type	Hub Length Offset	Bearing Size Type	Maximum Load	Max Speed MPH	Shipping Weight
9354DC-SM-LS	P/N # 24155	White	9x350-4 Smooth	1pc	4" Cntrd	3/4" OCRB	230	10	5.5

Flat-Free Front Caster Wheel



Part Number	Replaces	Rim Color	Tire Size/Tread	Wheel Type	Hub Length Offset	Bearing Size Type	Maximum Load	Max Speed MPH	Shipping Weight
9354DC-U-SM	P/N # 060796	White	9x3.50-4 Smooth	1pc	4" Cntrd	3/4" OCRB	200	6	6.1

MURRAY

Straight Gear Walk Behind Lawnmower Drive Wheels



Part Number	Replaces	Rim Color	Tire Size/Tread	Wheel Type	Hub Length Offset	Bearing Size Type	Maximum Load	Max Speed MPH	Shipping Weight
875-OF-STG	P/N # 2-0105	White	8x1.75 Gear	1pc	1-3/8" Offset	1/2"BB	60	5	2.4
875P-OF-STG	P/N # 2-0105	White	8x1.75 Gear	1pc Plastic	1-3/8" Offset	1/2" Plain Bore	60	5	1.5

RUBBERMAID

Big Wheel Lawn Cart Wheel



Part Number	Replaces	Rim Color	Tire Size/Tread	Wheel Type	Hub Length Offset	Bearing Size Type	Max Load	Max Speed MPH	Shipping Weight
PLSP20-58BB	P/N # M1564200	Black/Gray Spoke Wheel	20x2.125 Stud Tire & Tube	1pc	2-3/8" Cntrd	5/8" BB	150	5	6.5

OEM part numbers are for reference only.

OUTDOOR POWER EQUIPMENT



SCAG

Flat-Free Front Caster Wheel



Part Number	Replaces	Rim Color	Tire Size/Tread	Wheel Type	Hub Length Offset	Bearing Size Type	Maximum Load	Max Speed MPH	Shipping Weight
9354DC-U-SCG	P/N # 48307	Gold	9x3.50-4 Smooth	1pc	4" Cntrd	5/8" OCRB	200	6	6.1
9354DB-U-SCG	P/N # 48307	Gold	9x350-4 Smooth	3pc	4" Cntrd	5/8" OCRB	200	6	6.5

Pneumatic Front Caster Wheel



Part Number	Replaces	Rim Color	Tire Size/Tread	Wheel Type	Hub Length Offset	Bearing Size Type	Maximum Load	Max Speed MPH	Shipping Weight
355DC4-4C-SG	P/N # 48537	Gold	410/350-5 Sawtooth	1pc	4" Cntrd	5/8" OCRB	395	10	7.5
9354DB-SCAG	P/N # 48307	Gold	9x350-4 Smooth	1pc	4" Cntrd	5/8" OCRB	230	10	6.0

Pulley Drive Wheel



Part Number	Replaces	Rim Color	Tire Size/Tread	Wheel Type	Hub Length Offset	Bearing Size Type	Maximum Load	Max Speed MPH	Shipping Weight
656PDG8-4TRI	P/N # 48192	Gold	13x650-6 Traction	8-1/2" Offset w/ 8" Dual Pulleys and Brake Drum		1" BB	460	10	13.0

SNAPPER

Rear Engine Rider Front Wheels



Part Number	Replaces	Rim Color	Tire Size/Tread	Wheel Type	Hub Length Offset	Bearing Size Type	Maximum Load	Max Speed MPH	Shipping Weight
354DC-SN	P/N # 7050618	Gray	410/350-4 Stud	3-1/4"	Offset	3/4" BB	260	10	4.0
354DC-TF-SN	P/N # 7052667 P/N # 7052305	Gray	410/350-4 Turf	3-1/4"	Offset	3/4" BB	260	10	5.5
404DC-TR341	P/N # 7058943	Gray	11x400-4 Turf	3-1/4"	Offset	3/4" BB	215	10	4.4

OEM part numbers are for reference only.

OUTDOOR POWER EQUIPMENT



SNAPPER

Rear Engine Rider Drive Wheels



Part Number	Replaces	Rim Color	Tire Size/Tread	Wheel Type	Bolt Circle	Maximum Load	Max Speed MPH	Shipping Weight
DM408-4ST-I	P/N # 5-0116	White	480/400-8 / Stud	8x3-3/4"	4 x 4.00" Cntrd	473	10	10.0
DM658-2TR-I	P/N # 5-0713	White	16x650-8 / Traction	8x5-3/8"	4 x 4.00" .87 Neg	415	10	12.5

Walk Behind Lawnmower Wheels



Part Number	Replaces	Rim Color	Tire Size/Tread	Wheel Type	Hub Length Offset	Bearing Size Type	Maximum Load	Max Speed MPH	Shipping Weight
715-716-OF	P/N # 1-2345	Gray	7 x 1.50 Diamond	1pc Steel	1-5/8" Off	7/16" BB	55	5	1.7
775-716-OF	P/N # 1-2345	Gray	7 x 175 Diamond	1pc Steel	1-5/8" Off	7/16" BB	55	5	2.0
875-716-OF	P/N # 1-1082 P/N # 1-8190	Gray	8 x 1.75 Diamond	1 pc Steel	1-5/8" Off	7/16" BB	60	5	2.0
715P-916-OF	P/N # 1-8189	White	7 x 1.50 Diamond	1pc Plastic	1-5/8" Off	9/16" Bore	55	5	1.0
975P-916-OF	P/N # 1-2579	White	9 x 1.75 Diamond	1pc Plastic	1-5/8" Off	9/16" Bore	90	5	2.0

TORO

Flat-Free Mower Deck Wheels



Part Number	Replaces	Rim Color	Tire Size/Tread	Wheel Type	Hub Length Offset	Bearing Size Type	Maximum Load	Max Speed MPH	Shipping Weight
284DB-U-T	P/N # 54-8820	White	280/250-4 Sawtooth	3pc	3-1/4" Cntrd	1" OCRB	280	6	6.0
8304DBU-34-T	P/N # 13-3869	White	8x300-4 Smooth	3pc	3-1/4" Cntrd	1" OCRB	280	6	7.0

OEM part numbers are for reference only.

OUTDOOR POWER EQUIPMENT



TORO

Pneumatic Mower Deck Wheels



Part Number	Replaces	Rim Color	Tire Size/Tread	Wheel Type	Hub Length Offset	Bearing Size Type	Maximum Load	Max Speed MPH	Shipping Weight
8304DB4-34-T	P/N # 13-3869	White	8x300-4 Smooth	3pcs	3-1/4" Cntrd	3/4" OCRB	175	10	6.3
8304DB4-T	P/N # 54-8820	White	8x300-4 Smooth	3pcs	3-1/4" Cntrd	1" OCRB	175	10	6.3
8304DB4-34TT	P/N # 68-8970	White	8x300-4 Turf	3pcs	3-1/4" Cntrd	3/4" OCRB	125	10	7.0
405DC5-SM	P/N #104-1170	White	11x400-5 Smooth	3pcs	5" Cntrd	3/4" OCRB	320	10	6.0

Semi-Pneumatic Gauge Wheel



Part Number	Replaces	Rim Color	Tire Size/Tread	Wheel Type	Hub Length Offset	Bearing Size Type	Maximum Load	Max Speed MPH	Shipping Weight
ZP625-T	P/N # 63-8400	White	6-1/4 x 3" Rib	1pc	3" Cntrd	3/4" OCRB	200	6	3.3

Mid-Range Walk Behind Pulley Drive Wheel



Part Number	Replaces	Rim Color	Tire Size/Tread	Wheel Type	Hub Length Offset	Bearing Size Type	Maximum Load	Max Speed MPH	Shipping Weight
656PDW8-4TRI	P/N # 2-4280	White	13x650-6 Traction	8-1/2" Offset w/ 8" Dual Pulleys and Brake Drum		1" BB	460	10	13.0

Consumer Walk Behind Lawnmower Wheel



Part Number	Replaces	Rim Color	Tire Size/Tread	Wheel Type	Hub Length Offset	Bearing Size Type	Maximum Load	Max Speed MPH	Shipping Weight
875P-OF	P/N # 10-9860	White	8 x 1.75 Diamond	1pc Plastic	1-3/8" Off	1/2" Bore	60	5	1.5

OUTDOOR POWER EQUIPMENT



UNIVERSAL FIT

Flat-Free & Pneumatic Mower Deck Caster Wheels



Part Number	Replaces	Rim Color	Tire Size/Tread	Wheel Type	Hub Length Offset	Bearing Size Type	Maximum Load	Max Speed MPH	Shipping Weight
9354DB-SM	Universal	White	9x350-4 Smooth Pneumatic	3pc	4" Cntrd	5/8" OCRB	200	6	6.0
9354DC-U-SM	Universal	White	9x350-4 Smooth Flat-Free	1pc	4" Cntrd	3/4" OCRB	230	10	5.5

WALKER

Flat-Free & Pneumatic Mower Deck Caster Wheels



Part Number	Replaces	Rim Color	Tire Size/Tread	Wheel Type	Hub Length Offset	Bearing Size Type	Maximum Load	Max Speed MPH	Shipping Weight
8304DB-U-WM	P/N # 8715-3	White	8x300-4 Smooth Flat-Free	3pc	3-1/2" Cntrd	5/8" OCRB	200	6	6.8
8304DB4-WMFG	P/N # 5715-4	White	8x300-4 Smooth Pneumatic	3pc	3-1/2" Cntrd	5/8" OCRB	175	10	6.3

WRIGHT / VELKE

Flat-Free & Pneumatic Mower Deck Caster Wheels



Part Number	Replaces	Rim Color	Tire Size/Tread	Wheel Type	Hub Length Offset	Bearing Size	Type	Maximum Load	Max Speed MPH	Shipping Weight
405HS-475-WY	P/N # 72460012	Black	11x400-5 Smooth	1pc	5" Cntrd	3/4" Taper Cup & Cone		325	10	6.9
9354DB-V	P/N # VKWHEEL	White	9x350-4 Turf	3pc	3-1/4" Cntrd	3/4" OCRB		230	10	6.0
9354DB2250FV	P/N # VKXWHEEL	White	9x350-4 Turf	3pc	2-1/4" Offset	1" OCRB		230	10	6.0

LAWN & GARDEN

UNIVERSAL LIGHT DUTY WHEELS



Light Duty Steel Centered Hub Wheels



Part Number	Replaces	Rim Color	Tire Size/Tread	Wheel Type	Hub Length	Bearing Size Type	Maximum Load	Max Speed MPH	Shipping Weight
110	Universal	White	10 x 1.75 Rib	1pc	2-1/16"	1/2" BB	80	3	3.3
110-N	Universal	White	10 x 1.75 Rib	1pc	1-1/2"	1/2" BB	80	3	3.3
110-58-HD	Universal	White	10x1.75 HD Rib	1pc	2-1/16"	5/8" BB	150	3	4.0
113-58-HD	Universal	White	12 x 1.75 HD Rib	1pc	2-1/4"	5/8" BB	150	3	5.0
113	Universal	White	12 x 1.75 Rib	1pc	2-1/4"	1/2" BB	90	3	4.5
114-34-HD	Universal	White	14 x 1.75 HD Rib	1pc	2-1/8"	3/4" BB	150	3	7.3
114-58-HD	Universal	White	14 x 1.75 HD Rib	1pc	2-1/8"	5/8" BB	150	3	7.3
615	Universal	White	6 x 1.50 Rib	1pc	1-3/8"	1/2" BB	50	3	1.3
615-R	Universal	White	6 x 1.50 Rib	1pc	1-3/8"	1/2" BB	50	3	1.3
715	Universal	White	7 x 1.50 Rib	1pc	2"	1/2" BB	55	3	1.8
715-R	Universal	White	7 x 1.50 Rib	1pc	2"	1/2" BB	55	3	1.8
875	Universal	White	8 x 1.75 Diamond	1pc	2"	1/2" BB	60	3	2.5
875-58-HD	Universal	White	8 x 1.75 Rib	1pc	2"	5/8" BB	110	3	2.8
875-N-R	Universal	White	8 x 1.75 Rib	1pc	1-3/8"	1/2" BB	60	3	2.5
875-R	Universal	White	8 x 1.75 Rib	1pc	2"	1/2" BB	60	3	2.5

Light Duty Steel Offset Hub Wheels



Part Number	Replaces	Rim Color	Tire Size/Tread	Wheel Type	Hub Length	Bearing Size	Type	Max Load	Max Speed MPH	Shipping Weight
110-58-OF-HD	Universal	White	10 x 1.75 HD Rib	1pc	1-1/2"	5/8" BB		150	3	3.3
110-OF	Universal	White	10 x 1.75 Rib	1pc	1-1/2"	1/2" BB		80	3	3.3
615-OF	Universal	White	6 x 1.50 Diamond	1pc	1-3/8"	1/2" BB		50	3	1.3
615-OF-LB	Lawnboy	White	6 x 1.50 Smooth	1pc	1-1/2"	1/2" BB		50	3	1.3
615-OF-LBC-HD	Lawnboy	Orange	6 x 1.50 HD Smooth	1pc	2"	1/2" Extended Race BB		100	3	1.5
615-OF-R	Universal	White	6 x 1.50 Rib	1pc	1-3/8"	1/2" BB		50	3	1.3
615-OF-SM	Universal	White	6 x 1.50 Smooth	1pc	1-3/8"	1/2" BB		50	3	1.3
715-716-OF	Snapper	Gray	7 x 1.50 Diamond	1pc	1-5/8"	7/16" Extended Race BB		55	3	2.0
715-OF	Universal	White	7 x 1.50 Diamond	1pc	1-3/8"	1/2" BB		55	3	1.8
715-OF-R	Universal	White	7 x 1.50 Rib	1pc	1-3/8"	1/2" BB		55	3	1.8
775-716-OF	Snapper	Gray	7x 1.75 Diamond	1pc	1-5/8"	7/16" Extended Race BB		55	3	2.1
875-58-OF-HD	Universal	White	8 x 1.75 Diamond	1pc	1-3/8"	5/8" BB		110	3	2.8
875-716-OF	Snapper	Gray	8 x 1.75 Diamond	1pc	1-5/8"	7/16" Extended Race BB		55	3	2.3
875-OF	Universal	White	8 x 1.75 Diamond	1pc	1-3/8"	1/2" BB		60	3	2.0
875-OF-LB	Universal	White	8 x 1.75 Smooth	1pc	1-1/2"	1/2" BB		60	3	2.0
875-OF-LBC-HD	Lawnboy	Orange	8 x 1.75 HD Smooth	1pc	2"	1/2" Extended Race BB		150	3	2.5
875-OF-R	Universal	White	8 x 1.75 Rib	1pc	1-3/8"	1/2" BB		60	3	2.0
875-OF-SM	Universal	White	8 x 1.75 Smooth	1pc	1-3/8"	1/2" BB		60	3	2.0
875-OF-STG	Universal	White	8 x 1.75 Gear	1pc	1-3/8"	1/2" BB		60	3	2.0

LAWN & GARDEN

UNIVERSAL LIGHT DUTY SPOKE WHEELS



Plastic Offset and Centered Hub Wheels



Part Number	Replaces	Rim Color	Tire Size/Tread	Wheel Type	Hub Length	Bearing Size Type	Maximum Load	Max Speed MPH	Shipping Weight
110P	Universal	White	10 x 1.75 Rib	1pc	2-1/8" Ctr	1/2" Bore	80	3	1.8
615P-OF	Universal	White	6 x 1.50 Diamond	1pc	1-3/8" Off	1/2" Bore	50	3	1.0
615P-OF-SM	Universal	White	6 x 1.50 Smooth	1pc	1-3/8" Off	1/2" Bore	50	3	1.0
715P-916-OF	Universal	White	7 x 1.50 Diamond	1pc	1-5/8" Off	9/16" Bore	55	3	1.3
715P-OF	Universal	White	7 x 1.50 Diamond	1pc	1-3/8" Off	1/2" Bore	55	3	1.3
875P-OF	Universal	White	8 x 1.75 Diamond	1pc	1-3/8" Off	1/2" Bore	60	3	1.5
875P-OF-SM	Universal	White	8 x 1.75 Smooth	1pc	1-3/8" Off	1/2" Bore	60	3	1.5
875P-OF-STG	Universal	White	8 x 1.75 Gear	1pc	1-3/8" Off	1/2" Bore	60	3	1.5
975P-816-OF	Universal	White	9 x 1.75 Diamond	1pc	1-5/8" Off	9/16" Bore	70	3	1.6

Plastic Spoke Wheels



Part Number	Replaces	Rim Color	Tire Size/Tread	Wheel Type	Hub Length	Bearing Size Type	Maximum Load	Max Speed MPH	Shipping Weight
PLSP14D175	Universal	Gray	14x1.75 Diamond	1pc Plastic	2-3/8" Cntrd	1/2"BB	90	3	6.0
PLSP16-12BB	Universal	Gray	Rim Only	1pc Plastic	2-3/8" Cntrd	1/2"BB	150	3	6.5
PLSP16D175	Universal	Gray	16x1.75 Diamond	1pc Plastic	2-3/8" Cntrd	1/2" BB	150	3	6.0
PLSP16ST-12BB	Universal	Gray	16x2.125 Stud Tire & Tube	1pc Plastic	2-3/8" Cntrd	1/2"BB	150	3	6.5
PLSP20-12BB	Universal	Gray	Rim Only	1pc Plastic	2-3/8" Cntrd	1/2"BB	150	3	6.0
PLSP20ST-12BB	Universal	Gray	20x2.125 Stud Tire & Tube	1pc Plastic	2-3/8" Cntrd	1/2"BB	150	3	6.5
PLSP20ST-58BB	Universal	Gray	20x2.125 Stud Tire & Tube	1pc Plastic	2-3/8" Cntrd	5/8"BB	150	3	6.5

Wire Spoke Wheels



Part Number	Replaces	Rim Color	Tire Size/Tread	Wheel Type	Hub Length	Bearing Size Type	Maximum Load	Max Speed MPH	Shipping Weight
SP20PSI-12BB	Universal	Zinc Plate	20x2.125 Stud Tire & Tube	Wire	3-7/16" Cntrd	1/2"BB	150	3	6.8
SP20PSI-34BB	Universal	Zinc Plate	20x2.125 Stud Tire & Tube	Wire	3-7/16" Cntrd	3/4"BB	150	3	6.8
SP20PSI-58BB	Universal	Zinc Plate	20x2.125 Stud Tire & Tube	Wire	3-7/16" Cntrd	5/8"BB	150	3	6.8
SP-26PU-34BB	Universal	Zinc Plate	26x2.125 Universal Tire & Tube	Wire	5" Cntrd	3/4" BB	150	3	7.4

TIRE CHAINS



Garden Tractor

- Packaged in white muslin bags
- Available in 2 and 4 link spacing
- Martin Wheel tires chains help you go in the snow

Part Number	Style	Fits Tire Size	Shipping Weight
TC-105I	2 Link	10.5x3.25	3
TC-354I	2 Link	4.10x350-4; 3.40x3.00-5	3
TC-356I	2 Link	4.10x3.50-5; 4.10x3.50-6; 12x3.50-6; 12.25x3.50-6	4
TC-506I	2 Link	13x5.00-6	6
TC-456I	2 Link	5.30x4.50-6	7
TC-408I	2 Link	4.80x4.00-8	11
TC-508I	2 Link	5.70x5.00-8	16
TC-658I	2 Link	16x6.50-8; 15x6.00-6	12
TC-8658I	2 Link	18x6.50-8	15
TC-858I	2 Link	18x8.50-8	16
TC-858-4I	4 Link	18x8.50-8	10
TC-958I	2 Link	18x9.50-8	15
TC-958-4I	4 Link	18x9.50-8	9
TC-1008I	2 Link	20x10.00-8; 20x10.00-10	19
TC-810I	2 Link	20x8.00-10	16
TC-1010I	2 Link	20x10.00-10	18
TC-1010-4I	4 Link	20x10.00-10	11
TC-612I	2 Link	6x12; 23x7.50-12	19
TC-8512-2I	2 Link	8x12; 23x8.50-12	21
TC-8512-4I	4 Link	8x12; 23x8.50-12	13
TC-1012-2I	2 Link	23x9.50-12; 23x10.50-12	26
TC-1012-4I	4 Link	23x9.50-12; 23x10.50-12	17
TC-1012-2-AGI	2 Link	23x10.50-12	23
TC-2412-2I	2 Link	24x12.00-12	27
TC-2412-4I	4 Link	24x12.00-12	16
TC-1212I	2 Link	26x12.00-12	29

Polar Trac Snow Blower Chain

Part Number	Style	Fits Tire Size	Shipping Weight
TC-356-SHI	2 Link	4.10x3.50-6 POLAR TRAC; SNOW HOG & SNOW HAWG TIRES	7
TC-506-SHI	2 Link	13x5.00-6 POLAR TRAC; SNOW HOG & SNOW HAWG TIRES	8
TC-408-SHI	2 Link	4.80x4.00-8 POLAR TRAC; SNOW HOG & SNOW HAWG TIRES	11
TC-658-SHI	2 Link	16x650-8 POLAR TRAC; SNOW HOG & SNOW HAWG TIRES	15

GOLF CAR



Golf Car Tire & Wheel Assemblies

- Choose from Hole-N-1 the preferred OEM tire, Rib or Super Turf
- Available rim colors, Tan, White or Stone



Part Number	BeadLock	Rim Color	Size	Tread	Ply Type	Bolt Circle	Max PSI	Maximum Load	Shipping Weight
858GK4T-4SWI	No	Tan	18x8.50-8	Hole-N-1	4 TL	4x4.00	22	815	15.0
858GK4BW4SWI	Yes	White	18x8.50-8	Hole-N-1	4 TL	4x4.00	22	815	15.0
858GK4W-4SWI	No	White	18x8.50-8	Hole-N-1	4 TL	4x4.00	22	815	15.0
858GK4SB4SW	Yes	Stone	18x8.50-8	Hole-N-1	4 TL	4x4.00	22	815	15.0
858GK4BT-4RI	Yes	Tan	18x8.50-8	Rib	4 TL	4x4.00	22	815	15.0
858GK4T-4RI	No	Tan	18x8.50-8	Rib	4 TL	4x4.00	22	815	15.0
858GK4BW-4RI	Yes	White	18x8.50-8	Rib	4 TL	4x4.00	22	815	15.0
858GK4W-4RI	No	White	18x8.50-8	Rib	4 TL	4x4.00	22	815	15.0
858GK4S-4RI	Yes	Stone	18x8.50-8	Rib	4 TL	4x4.00	22	815	15.0
858GK4BT4TFK	Yes	Tan	18x8.50-8	Super Turf	4 TL	4x4.00	22	815	15.0
858GK4T-4TFK	No	Tan	18x8.50-8	Super Turf	4 TL	4x4.00	22	815	15.0
858GK4BW4TFK	Yes	White	18x8.50-8	Super Turf	4 TL	4x4.00	22	815	15.0
858GK4W-4TFK	No	White	18x8.50-8	Super Turf	4 TL	4x4.00	22	815	15.0
858GK4S-4TFK	No	Stone	18x8.50-8	Super Turf	4 TL	4x4.00	22	815	15.0
1012GK-TT-OB	Yes	Aluminum	23x10.50-12	Terra Trac	4 TL	4x4.00	20	1340	35.0



White



Stone



Tan

NOTES:

GOLF CAR



Replacement Golf Car Tires

- Choose from Hole-N-1 the preferred OEM tire, Rib an outstanding front steering tire or Super Turf, the turf friendly rear drive tire.



Part Number	Size	Ply Rating	Tread	OD Inches	SW Inches	Max Load	Max PSI	Fits Rim Size	Shipping Weight
858-4R-I	18x850-8	4 Ply Tubeless	Rib	17.4	8.5	815	22	8x7.0	10.0
858-4SW-I	18x850-8	4 Ply Tubeless	Hole-N-1	17.6	8.5	815	22	8x7.0	10.8
858-6SW-I	18x850-8	6 Ply Tubeless	Hole-N-1	17.7	8.6	1050	32	8x7.0	10.7
858-4TR-I	18x850-8	4 Ply Tubeless	Turf Rider	17.6	8.5	815	22	8x7.0	10.6
858-4TF-I	18x850-8	4 Ply Tubeless	Super Turf	17.8	8.5	815	22	8x7.0	9.3
810B-PT-I	205/50-10	4 Ply Tubeless	Pro Tour	18.3	7.7	664	30	10x6.0	10.5
810B-PTR-I	205/50R-10	4 Ply Tubeless	Pro Tour Radial	18.3	7.5	835	30	10x6.0	10.5

Golf Car Replacement Rims

- Available with or without beadlock
- Choose colors to fit Club Car (Tan); Yamaha (Stone) or Universal (White).



Part Number	Bead Lock	Rim Color	Fits Tire Size	Rim Size	Offset	Bolt Circle	Max Load	Shipping Weight
R-958-4	No	White	18x8.50-8	8x7.00	Centered	4x4.00	1050	7.0
R-958-4BL	Yes	White	18x8.50-8	8x7.00	Centered	4x4.00	1050	7.0
R-958-4B-TAN	Yes	Tan	18x8.50-8	8x7.00	Centered	4x4.00	1050	7.0
R-958-4-TAN	No	Tan	18x8.50-8	8x7.00	Centered	4x4.00	1050	7.0
R-958-4BL-SB	Yes	Stone	18x8.50-8	8x7.00	Centered	4x4.00	1050	7.0
R-958-4-SB	No	Stone	18x8.50-8	8x7.00	Centered	4x4.00	1050	7.0

POWERSPORTS



K284 Front Max

- First front rib tire designed exclusively for ATV use.
- Each knob is reinforced for superior tracking and cornering
- The best and most popular replacement tires on the market



Part Number	Size / Application	Ply Rating	Type	OD Inches	SW Inches	Maximum Load	Max. PSI	Fits Rim Size	Shipping Weight
708-2FM-I	20x7.00-8 Front	2	Tubeless	20.6	7.2	195	5.0	8x5.50	14.4
809-2FM-I	21x8.00-9 Front	2	Tubeless	20.7	6.9	225	5.0	9x5.00	11.6
710-2FM-I	21x7.00-10 Front	2	Tubeless	20.7	6.9	205	5.0	10x5.00	11.7
8010-2FM-I	22x8.00-10 Front	2	Tubeless	21.0	6.9	250	5.0	10x5.00	11.0
811-2FM-I	23x8.00-11 Front	2	Tubeless	23.4	7.5	255	5.0	11x6.00	13.1

K290 Scorpion

- Provides versatility for a mix of terrains and applications
- Ideal choice for riders seeking knobby performance at a low price
- Light weight easy rolling tread design
- Good match for K284 front



Part Number	Size / Application	Ply Rating	Type	OD Inches	SW Inches	Maximum Load	Max. PSI	Fits Rim Size	Shipping Weight
1456-2S-I	14.5/7.00-6 Rear	2	Tubeless	14.2	5.3	165	5.0	6x4.50	4.2
807-2S-I	16x8.00-7 Rear	2	Tubeless	15.4	7.0	220	5.0	7x5.00	7.4
958-2S-I	18x9.50-8 Rear	2	Tubeless	18.6	8.8	225	5.0	8x7.00	10.8
1978-2S-I	19x7.00-8 Rear	2	Tubeless	19.0	6.9	233	5.0	8x5.25	8.6
1108-2S-I	22x11.00-8 Rear	2	Tubeless	20.2	9.2	265	5.0	8x8.00	13.1
1209-2S-I	25x12.00-9 Rear	2	Tubeless	24.0	10.8	430	5.0	9x9.00	20.7

K530 Pathfinder [Rear] K530F Pathfinder [Front]



Part Number	Size / Application	Ply Rating	Type	OD Inches	SW Inches	Maximum Load	Max. PSI	Fits Rim Size	Shipping Weight
7007-2PF-I	18x7.00-7 Front	2	Tubeless	17.2	6.5	198	5.0	7x5.00	8.6
1978-2PF-I	19x7.00-8 Front	2	Tubeless	15.6	6.8	220	5.0	8x5.50	8.6
1108-2PF-I	22x11.00-8 Rear	2	Tubeless	22.0	10.7	275	5.0	8x8.50	17.7
1109-2PF-I	22x11.00-9 Rear	2	Tubeless	22.0	10.9	275	5.0	9x9.00	17.0
1209-2PF-I	25x12.00-9 Rear	2	Tubeless	24.5	11.3	355	5.0	9x9.00	22.3
1110-2PF-I	22x11.00-10 Rear	2	Tubeless	21.1	10.3	265	5.0	10x8.50	16.9
2510-2PF-I	25x12.00-10 Rear	2	Tubeless	23.7	11.1	355	5.0	10x10.0	19.7
1010-4PF-I	AT22x10-10 Rear	4	Tubeless	21.9	10.0	300	5.0	10x8.00	15.0
910-2PF-I	AT22x9-10 Rear	2	Tubeless	21.7	8.8	220	5.0	10x7.00	15.5
2512-4PF-I	AT 25x10-12 Rear	4	Tubeless	25.0	9.3	365	5.0	12x8.50	17.7
811-2PF-I	23x8.00-11 Front	2	Tubeless	23.0	7.4	210	5.0	11x6.50	13.1
911-2PF-I	24x9.00-11 Rear	2	Tubeless	23.7	9.0	255	5.0	11x7.00	14.9
24812-4PF-I	24x8.00-12 Front	4	Tubeless	23.6	7.5	265	5.0	12x6.00	14.2
812-4PF-I	25x8.00-12 Front	4	Tubeless	24.6	7.8	290	5.0	12x6.50	16.2
2512-4PF-I	AT25x10-12 Rear	4	Tubeless	25.0	9.3	365	5.0	12x8.50	17.7

POWERSPORTS



K299 Bearclaw

- 6-ply-rated extra tough casing to resist punctures
- Angled knobs dig into the terrain for maximum traction
- Center lugs provide extra traction and better control
- Built in rim guard protects your wheel from dings and dents



Part Number	Size / Application	Ply Rating	Type	OD Inches	SW Inches	Maximum Load	Max. PSI	Fits Rim Size	Shipping Weight
2209-6BC-I	22x1200-9 Front / Rear	6	Tubeless	22.1	10.9	430	7.0	9x9.00	22.4
1259-6BC-I	25x1200-9 Front / Rear	6	Tubeless	24.6	11.2	495	7.0	9x9.00	28.6
1210-6BC-I	22x1200-10 Front / Rear	6	Tubeless	21.1	11.3	430	7.0	10x10.0	23.6
2310-6BC-I	23x1000-10 Front / Rear	6	Tubeless	23.0	10.2	374	7.0	10x8.00	18.7
1250-6BC-I	25x12.50-10 Front / Rear	6	Tubeless	24.2	11.8	495	7.0	10x10.0	25.2
811-6BC-I	23x8.00-11 Front / Rear	6	Tubeless	22.8	7.6	290	7.0	11x6.00	13.1
911-6BC-I	24x9.00-11 Front / Rear	6	Tubeless	23.7	8.8	365	7.0	11x7.00	20.4
1011-6BC-I	24x10.00-11 Front / Rear	6	Tubeless	24.4	9.6	395	7.0	11x8.00	9.0
24812-6BC-I	24x8.00-12 Front / Rear	6	Tubeless	23.3	7.5	310	7.0	12x6.00	14.2
812-6BC-I	25x8.00-12 Front / Rear	6	Tubeless	24.3	8.3	340	7.0	12x7.00	17.4
1002-6BC-I	25x10.00-12 Front / Rear	6	Tubeless	24.5	9.3	420	7.0	12x8.50	20.8
2612-6BC-I	26x12.00-12 Front / Rear	6	Tubeless	25.0	11.4	495	7.0	12x10.5	26.0

K537 Bounty Hunter Radial

- Designed for a wide range of terrains.
- New radial casing for improved ride quality and handling
- Bead rim saver and extra tough casing to prevent punctures.



Part Number	Size / Application	Ply Rating	Type	OD Inches	SW Inches	Maximum Load	Max. PSI	Fits Rim Size	Shipping Weight
812R-8BH-I	AT25X8R12 Front / Rear	8	Tubeless	23.1	8.1	280	7.0	12x7.00	20.9
1012R-8BH-1	AT25X10R12 Front / Rear	8	Tubeless	25.0	10.2	419	7.0	12x8.00	25.1



ATV Trailer Tire, Wheel and Hub Kit

Part Number	Description	Shipping Weight
DM1108-NHD	22x11.00-8 2ply Scorpion tire mounted on an 8x7" 4 hole, 4" bolt circle white rim, shipped with an H4-C, Cast 4 Stud Hub, complete with bearings, cap and grease seal; plus a 1" High Speed Spindle with Cotter Pin and Castle Nut. All in an attractive retail package.	26 lbs



ATV/UTV Inner Tubes

Part Number Loose	Size	Valve	Shipping Weight
T708	20x7.00-8	TR-6	1.9
T1208-6	21x12.00-8	TR-6	2.5
T1009	20x10.00-9	TR-6	2.7
T811	23x8.00-11	TR-6	2.7
T911	24x9.00-11	TR-6	2.7
T812	25x10.00-12	TR-6	2.7

Part Number Packaged	Size	Valve	Shipping Weight
T858-6K	18X850/950-8	TR-6	1.9
T1208-6K	21x12.00-8	TR-6	2.5
T1209K	21X12 / 22X11-8	TR-6	2.7
T810K	20X800/1000-10	TR13	2.3
T812K	25x1000-12	TR-6	2.7

- Inner tubes specifically designed for ATV/UTV applications
- Available in bulk or 4 color retail packaging



CONSUMER FUN CART & GO-KART



Not for use in racing or on commercial go kart tracks

Front Steering Wheels

- Available in 2pc or 3pc construction
- Chose from 5/8 or 3/4" Ball Bearings



Part Number	Wheel Style	Tire Size	Type	Type	Color	Hub Length	Bore Size & Type	Est Capacity	Shipping Weight
354M-ST-58BB	2pc	410/350-4	Tube-Type	Stud	White	2-1/8" Cntrd	5/8 BB	260	4.5
354M-ST-34BB	2pc	410/350-4	Tube-Type	Stud	White	2-1/8" Cntrd	3/4 BB	260	4.5
354DB-ST242	3pc	410/350-4	Tube-Type	Stud	White	2-1/4" Off	5/8 BB	260	5.5
354DB-ST241	3pc	410/350-4	Tube-Type	Stud	White	2-1/4" Off	3/4 BB	260	5.5
354DB-ST32	3pc	410/350-4	Tube-Type	Stud	White	3" Cntrd	5/8 BB	260	5.5
354DB-ST31	3pc	410/350-4	Tube-Type	Stud	White	3" Cntrd	3/4 BB	260	5.5
355M-ST-58BB	2pc	410/350-5	Tube-Type	Stud	White	2-1/4" Cntrd	5/8 BB	255	5.5
355M-ST-34BB	2pc	410/350-5	Tube-Type	Stud	White	2-1/4" Cntrd	3/4 BB	255	5.5
355DB-ST242	3pc	410/350-5	Tube-Type	Stud	White	2-1/4" Off	5/8 BB	255	6.5
355DB-ST241	3pc	410/350-5	Tube-Type	Stud	White	2-1/4" Off	3/4 BB	255	6.5
355DB-ST32	3pc	410/350-5	Tube-Type	Stud	White	3" Cntrd	5/8 BB	255	6.5
355DB-ST31	3pc	410/350-5	Tube-Type	Stud	White	3" Cntrd	3/4 BB	255	6.5
356M-ST-58BB	2pc	410/350-6	Tube-Type	Stud	White	2-5/8" Cntrd	5/8 BB	285	6.8
356M-ST-34BB	2pc	410/350-6	Tube-Type	Stud	White	2-5/8" Cntrd	3/4 BB	285	6.8
356DB-ST242	3pc	410/350-6	Tube-Type	Stud	White	2-1/4" Off	5/8 BB	285	7.8
356DB-ST241	3pc	410/350-6	Tube-Type	Stud	White	2-1/4" Off	3/4 BB	285	7.8
356DB-ST32	3pc	410/350-6	Tube-Type	Stud	White	3" Cntrd	5/8 BB	285	7.8
356DB-ST31	3pc	410/350-6	Tube-Type	Stud	White	3" Cntrd	3/4 BB	285	7.8

Keyway Drive Wheels

- 3/4" Bore x 3-1/6" Keyway
- 1" Bore x 1/4" Keyway



Part Number	Wheel Style	Tire Size	Type	Type	Color	Hub Length	Bore Size & Type	Est Capacity	Shipping Weight
284KY4-SW-34	3pc	280/250-4	Tube-Type	Sawtooth	White	3" Cntrd	3/4" Bore / 3/16" Keyway	295	4.6
284KY4-SW-1	3pc	280/250-4	Tube-Type	Sawtooth	White	3" Cntrd	1" Bore / 1/4" Keyway	295	4.6
354KY-ST34	3pc	410/240-4	Tube-Type	Stud	White	3" Cntrd	3/4" Bore / 3/16" Keyway	260	6.5
354KY-ST-1	3pc	410/350-4	Tube-Type	Stud	White	3" Cntrd	1" Bore / 1/4" Keyway	260	6.5
354KY-SW34	3pc	410/350-4	Tube-Type	Sawtooth	White	3" Cntrd	3/4" Bore / 3/16" Keyway	260	6.5
354KY-SW-1	3pc	410/350-4	Tube-Type	Sawtooth	White	3" Cntrd	1" Bore / 1/4" Keyway	260	6.5

CONSUMER FUN CART & GO-KART



Not for use in racing or on commercial go kart tracks

Keyway Drive Wheels

- 3/4" Bore x 3-1/6" Keyway
- 1" Bore x 1/4" Keyway



Part Number	Wheel Style	Tire Size	Type	Type	Color	Hub Length	Bore Size & Type	Est Capacity	Shipping Weight
355KY-ST34	3pc	410/350-5	Tube-Type	Stud	White	3" Cntrd	3/4" Bore 3/16" Keyway	255	7.5
355KY-SW-1	3pc	410/350-5	Tube-Type	Sawtooth	White	3" Cntrd	1" Bore 1/4" Keyway	255	7.5
355KY-SW34	3pc	410/350-5	Tube-Type	Sawtooth	White	3" Cntrd	3/4" Bore 3/16" Keyway	255	7.5
355KY-SW-1	3pc	410/350-5	Tube-Type	Sawtooth	White	3" Cntrd	1" Bore 1/4" Keyway	255	7.5
356KY-SW34	3pc	410/350-6	Tube-Type	Sawtooth	White	3" Cntrd	3/4" Bore 3/16" Keyway	285	8.3
356KY-SW-1	3pc	410/350-6	Tube-Type	Sawtooth	White	3" Cntrd	1" Bore 1/4" Keyway	285	8.3

Sprocket Drive Wheels

- Sprocket drive wheels come assembled complete with a 3pc bolt together rim, double flange hub and your choice of 5/8" or 3/4" ball bearings.
- Select sprockets to fit #35 or #41 roller chain.



Part Number	Wheel Style	Tire Size	Type	Tire	Color	Hub Length & Beaing Size	Equipped With Sprocket	Est Capacity	Shipping Weight
355DB-SP6058	3pc	410/350-5	Tube-Type	Stud	White	3-1/2" Off 5/8"BB	#35 Chain 60 Tooth	255	9.0
355DB-SP6034	3pc	410/350-5	Tube-Type	Stud	White	3-1/2" Off 3/4"BB	#35 Chain 60 Tooth	255	9.0
355DB-SP7258	3pc	410/350-5	Tube-Type	Stud	White	3-1/2" Off 5/8"BB	#35 Chain 72 Tooth	255	9.8
355DB-SP7234	3pc	410/350-5	Tube-Type	Stud	White	3-1/2" Off 3/4"BB	#35 Chain 72 Tooth	255	9.8
355DB-SP5458	3pc	410/350-5	Tube-Type	Stud	11.5	3-1/2" Off 5/8"BB	#41 Chain 54 Tooth	255	9.8
355DB-SP5434	3pc	410/350-5	Tube-Type	Stud	11.5	3-1/2" Off 3/4" BB	#41 Chain 54 Tooth	255	9.8
356DB-SP6058	3pc	410/350-6	Tube-Type	Stud	12.4	3-1/2" Off 5/8" BB	#35 Chain 60 Tooth	285	9.5
356DB-SP6034	3pc	410/350-6	Tube-Type	Stud	12.4	3-1/2" Off 3/4" BB	#35 Chain 60 Tooth	285	9.5

CONSUMER FUN CART & GO-KART



Not for use in racing or on commercial go kart tracks

Sprocket Drive Wheels

- Sprocket drive wheels come assembled complete with a 3pc bolt together rim, double flange hub and your choice of 5/8" or 3/4" ball bearings.
- Select sprockets to fit #35 or #41 roller chain.



Part Number	Wheel Style	Tire Size	Type	Tire	Color	Hub Length & Beaing Size	Equipped With Sprocket	Est Capacity	Shipping Weight
356DB-SP7258	3pc	410/350-6	Tube-Type	Stud	12.4	3-1/2" Off 5/8" BB	#35 Chain 72 Tooth	285	10.5
356DB-SP7234	3pc	410/350-6	Tube-Type	Stud	12.4	3-1/2" Off 3/4" BB	#35 Chain 72 Tooth	285	10.5
356DB-SP5458	3pc	410/350-6	Tube-Type	Stud	12.4	3-1/2" Off 5/8" BB	#41 Chain 54 Tooth	285	11.0
356DB-SP5434	3pc	410/350-6	Tube-Type	Stud	12.4	3-1/2" Off 3/4" BB	#41 Chain 54 Tooth	285	11.0

REPLACEMENT PARTS

Drive Sprockets

Part No	OD	Size	Mount
35A60	7-3/8"	#35 Chain 60 Tooth	4 Hole 2-13/16 BC
35A72	8-3/4"	#35 Chain 72 Tooth	4 Hole 2-13/16 BC
41A54	8-3/4"	#41 Chain 54 Tooth	4 Hole 2-13/16 BC

Brakes

Part No	Description
SB-5308	4" External Brake & Drum with Bonded Friction Lining
6671	Strap Only, Slotted Both Ends (Can Be Used With Clutch)
4476	4" Drum Only (As used on SB-5308)

Note: Brakes are for 4 hole, 2-13/16" Bolt Circle Mount

Replacement Rims

Part Number	Size	Uses Tire Size	Bolt Circle
R-44DM	4 x 2-3/4"	410/350-4	4 x 2-13/16
R-54DM	5 x 2-3/4"	410/350-5	4 x 2-13/16
R-64DM	6 x 3-1/4"	410/350-6	4 x 2-13/16

Replacement Tires

Part Number	Tire Size	Tread	Ply & Type	Uses Rim Size
354-2ST-I	410/350-4	Stud	2ply TT	R-44DM
354-2SW-I	410/350-4	Sawtooth	2ply TT	R-44DM
355-2ST-I	410/350-5	Stud	2ply TT	R-54DM
355-2SW-I	410/350-5	Sawtooth	2ply TT	R-54DM
356-2ST-I	410/350-6	Stud	2ply TT	R-64DM
356-2SW-I	410/350-6	Sawtooth	2ply TT	R-64DM

Replacement Inner Tubes

Part Number	Size	Uses Rim	Valve Stem
T354	410/350-4	R-44DM	TR-87
T355	410/350-5	R-54DM	TR-87
T3565	410/350-6	R-64DM	TR-87

SLOW SPEED INDUSTRIAL WHEELS



1pc Drop Center Wheel Assemblies Sawtooth & Gray Rubber Sawtooth Tires



Part Number	Size	Ply Rating	Type	Tire	Color	Hub Length	Bore Size & Type	Capacity	Shipping Weight
284DC4-241	280/250-4	4	Tube-Type	Sawtooth	White	2-1/4" Off	3/4" BB	260	3.0
284DC4-242	280/250-4	4	Tube-Type	Sawtooth	White	2-1/4" Off	5/8" BB	260	3.0
284DC4-243	280/250-4	4	Tube-Type	Sawtooth	White	2-1/4" Off	1/2" BB	260	3.0
284DC4-244	280/250-4	4	Tube-Type	Sawtooth	White	2-1/4" Off	1" Bush	260	3.0
284DC4-31	280/250-4	4	Tube-Type	Sawtooth	White	3" Cntrd	3/4" BB	260	3.0
284DC4-32	280/250-4	4	Tube-Type	Sawtooth	White	3" Cntrd	5/8" BB	260	3.0
284DC4-32N	280/250-4	4	Tube-Type	Sawtooth	White	3" Cntrd	5/8" BB	260	3.0
284DC4-GR-32	280/250-4	4	Tube-Type	Gray Sawt	White	3" Cntrd	5/8" BB	260	3.0
284DC4-33	280/250-4	4	Tube-Type	Sawtooth	White	3" Cntrd	1/2" BB	260	3.0
284DC4-34	280/250-4	4	Tube-Type	Sawtooth	White	3" Cntrd	1" Bush	260	3.0
284DC4-41	280/250-4	4	Tube-Type	Sawtooth	White	4" Cntrd	3/4" BB	260	3.0
284DC4-42	280/250-4	4	Tube-Type	Sawtooth	White	4" Cntrd	5/8" BB	260	3.0
284DC4-43	280/250-4	4	Tube-Type	Sawtooth	White	4" Cntrd	1/2" BB	260	3.0
284DC4-44	280/250-4	4	Tube-Type	Sawtooth	White	4" Cntrd	1" Bush	260	3.0
354DC4SW241I	410/350-4	4	Tube-Type	Sawtooth	White	2-1/4" Off	3/4" BB	350	4.3
354DC4SW242I	410/350-4	4	Tube-Type	Sawtooth	White	2-1/4" Off	5/8" BB	350	4.3
354DC4SW243I	410/350-4	4	Tube-Type	Sawtooth	White	2-1/4" Off	1/2" BB	350	4.3
354DC4SW244I	410/350-4	4	Tube-Type	Sawtooth	White	2-1/4" Off	1" Bush	350	4.3
354DC4SW31I	410/350-4	4	Tube-Type	Sawtooth	White	3" Cntrd	3/4" BB	350	4.3
354DC4SW32I	410/350-4	4	Tube-Type	Sawtooth	White	3" Cntrd	5/8" BB	350	4.3
354DC4SW33I	410/350-4	4	Tube-Type	Sawtooth	White	3" Cntrd	1/2" BB	350	4.3
354DC4SW34I	410/350-4	4	Tube-Type	Sawtooth	White	3" Cntrd	1" Bush	350	4.3
354DC4SW341I	410/350-4	4	Tube-Type	Sawtooth	White	3-1/4" Off	3/4" BB	350	4.3
354DC4SW342I	410/350-4	4	Tube-Type	Sawtooth	White	3-1/4" Off	5/8" BB	350	4.3
354DC4SW343I	410/350-4	4	Tube-Type	Sawtooth	White	3-1/4" Off	1/2" BB	350	4.3
354DC4SW344I	410/350-4	4	Tube-Type	Sawtooth	White	3-1/4" Off	1" Bush	350	4.3
354DC4SW41I	410/350-4	4	Tube-Type	Sawtooth	White	4" Cntrd	3/4" BB	350	4.3
354DC4SW42I	410/350-4	4	Tube-Type	Sawtooth	White	4" Cntrd	5/8" BB	350	4.3
354DC4SW43I	410/350-4	4	Tube-Type	Sawtooth	White	4" Cntrd	1/2" BB	350	4.3
354DC4SW44I	410/350-4	4	Tube-Type	Sawtooth	White	4" Cntrd	1" Bush	350	4.3
354DC4SWG241	410/350-4	4	Tube-Type	Gray Sawt	White	2-1/4" Off	3/4" BB	350	4.3
354DC4SWG242	410/350-4	4	Tube-Type	Gray Sawt	White	2-1/4" Off	5/8" BB	350	4.3
354DC-4SWG31	410/350-4	4	Tube-Type	Gray Sawt	White	3" Cntrd	3/4" BB	350	4.3
354DC-4SWG32	410/350-4	4	Tube-Type	Gray Sawt	White	3" Cntrd	5/8" BB	350	4.3

SLOW SPEED INDUSTRIAL WHEELS



1pc Drop Center Wheel Assemblies Sawtooth & Stud Tires



Part Number	Size	Ply Rating	Type	Tire	Color	Hub Length	Bore Size & Type	Capacity	Shipping Weight
354DC4SWL241	410/350-4	4	Tubeless	Sawtooth	White	2-1/4" Off	3/4" BB	350	4.3
354DC4SWL242	410/350-4	4	Tubeless	Sawtooth	White	2-1/4" Off	5/8" BB	350	4.3
354DC4SWG241	410/350-4	4	Tube-Type	Gray Sawt	White	2-1/4" Off	3/4" BB	350	4.3
354DC4SWG242	410/350-4	4	Tube-Type	Gray Sawt	White	2-1/4" Off	5/8" BB	350	4.3
354DC-4SWG31	410/350-4	4	Tube-Type	Gray Sawt	White	3" Cntrd	3/4" BB	350	4.3
354DC-4SWG32	410/350-4	4	Tube-Type	Gray Sawt	White	3" Cntrd	5/8" BB	350	4.3
354DC4SWL241	410/350-4	4	Tubeless	Sawtooth	White	2-1/4" Off	3/4" BB	350	4.3
354DC4SWL242	410/350-4	4	Tubeless	Sawtooth	White	2-1/4" Off	5/8" BB	350	4.3
354DC-4SWL31	410/350-4	4	Tubeless	Sawtooth	White	3" Cntrd	3/4" BB	350	4.3
354DC-4SWL32	410/350-4	4	Tubeless	Sawtooth	White	3" Cntrd	5/8" BB	350	4.3
354DC-4SWL34	410/350-4	4	Tubeless	Sawtooth	White	3" Cntrd	1" Bush	350	4.3
354DC-ST241	410/350-4	2	Tube-Type	Stud	White	2-1/4" Off	3/4" BB	260	4.3
354DC-ST242	410/350-4	2	Tube-Type	Stud	White	2-1/4" Off	5/8" BB	260	4.3
354DC-ST243	410/350-4	2	Tube-Type	Stud	White	2-1/4" Off	1/2" BB	260	4.3
354DC-ST244	410/350-4	2	Tube-Type	Stud	White	2-1/4" Off	1" Bush	260	4.3
354DC-ST31	410/350-4	2	Tube-Type	Stud	White	3" Cntrd	3/4" BB	260	4.3
354DC-ST32	410/350-4	2	Tube-Type	Stud	White	3" Cntrd	5/8" BB	260	4.3
354DC-ST33	410/350-4	2	Tube-Type	Stud	White	3" Cntrd	1/2" BB	260	4.3
354DC-ST34	410/350-4	2	Tube-Type	Stud	White	3" Cntrd	1" Bush	260	4.3
354DC-ST341	410/350-4	2	Tube-Type	Stud	White	3-1/4" Off	3/4" BB	260	4.3
354DC-ST342	410/350-4	2	Tube-Type	Stud	White	3-1/4" Off	5/8" BB	260	4.3
354DC-ST343	410/350-4	2	Tube-Type	Stud	White	3-1/4" Off	1/2" BB	260	4.3
354DC-ST344	410/350-4	2	Tube-Type	Stud	White	3-1/4" Off	1" Bush	260	4.3
354DC-ST41	410/350-4	2	Tube-Type	Stud	White	4" Cntrd	3/4" BB	260	4.3
354DC-ST42	410/350-4	2	Tube-Type	Stud	White	4" Cntrd	5/8" BB	260	4.3
354DC-ST43	410/350-4	2	Tube-Type	Stud	White	4" Cntrd	1/2" BB	260	4.3
354DC-ST44	410/350-4	2	Tube-Type	Stud	White	4" Cntrd	1" Bush	260	4.3
354DC-STL241	410/350-4	2	Tubeless	Stud	White	2-1/4" Off	3/4" BB	260	4.3
354DC-STL242	410/350-4	2	Tubeless	Stud	White	2-1/4" Off	5/8" BB	260	4.3
354DC-STL243	410/350-4	2	Tubeless	Stud	White	2-1/4" Off	1/2" BB	260	4.3
354DC-STL244	410/350-4	2	Tubeless	Stud	White	2-1/4" Off	1" Bush	260	4.3
354DCSTL241N	410/350-4	2	Tubeless	Stud	White	2-1/4" Off	3/4" BB	260	4.3

SLOW SPEED INDUSTRIAL WHEELS



1pc Drop Center Wheel Assemblies Sawtooth & Stud Tires



Part Number	Size	Ply Rating	Type	Tire	Color	Hub Length	Bore Size & Type	Capacity	Shipping Weight
354DCSTL242N	410/350-4	2	Tubeless	Stud	White	2-1/4" Off	5/8" BB	260	4.3
354DCSTL243N	410/350-4	2	Tubeless	Stud	White	2-1/4" Off	1/2" BB	260	4.3
354DC-STL31	410/350-4	2	Tubeless	Stud	White	3" Cntrd	3/4" BB	260	4.3
354DC-STL32	410/350-4	2	Tubeless	Stud	White	3" Cntrd	5/8" BB	260	4.3
354DC-STL33	410/350-4	2	Tubeless	Stud	White	3" Cntrd	1/2" BB	260	4.3
354DC-STL34	410/350-4	2	Tubeless	Stud	White	3" Cntrd	1" Bush	260	4.3
354DC-STL341	410/350-4	2	Tubeless	Stud	White	3-1/4" Off	3/4" BB	260	4.3
354DC-STL342	410/350-4	2	Tubeless	Stud	White	3-1/4" Off	5/8" BB	260	4.3
354DC-STL343	410/350-4	2	Tubeless	Stud	White	3-1/4" Off	1/2" BB	260	4.3
354DC-STL344	410/350-4	2	Tubeless	Stud	White	3-1/4" Off	1" Bush	260	4.3
354DC-STL41	410/350-4	2	Tubeless	Stud	White	4" Cntrd	3/4" BB	260	4.3
354DC-STL42	410/350-4	2	Tubeless	Stud	White	4" Cntrd	5/8" BB	260	4.3
354DC-STL43	410/350-4	2	Tubeless	Stud	White	4" Cntrd	1/2" BB	260	4.3
354DC-STL44	410/350-4	2	Tubeless	Stud	White	4" Cntrd	1" Bush	260	4.3
354DC-SW241	410/350-4	2	Tube-Type	Sawtooth	White	2-1/4" Off	3/4" BB	260	4.3
354DC-SW242	410/350-4	2	Tube-Type	Sawtooth	White	2-1/4" Off	5/8" BB	260	4.3
354DC-SW242N	410/350-4	2	Tube-Type	Sawtooth	White	2-1/4" Off	5/8" BB	260	4.3
354DC-SW243	410/350-4	2	Tube-Type	Sawtooth	White	2-1/4" Off	1/2" BB	260	4.3
354DC-SW244	410/350-4	2	Tube-Type	Sawtooth	White	2-1/4" Off	1" Bush	260	4.3
354DC-SW31	410/350-4	2	Tube-Type	Sawtooth	White	3" Cntrd	3/4" BB	260	4.3
354DC-SW32	410/350-4	2	Tube-Type	Sawtooth	White	3" Cntrd	5/8" BB	260	4.3
354DC-SW33	410/350-4	2	Tube-Type	Sawtooth	White	3" Cntrd	1/2" BB	260	4.3
354DC-SW34	410/350-4	2	Tube-Type	Sawtooth	White	3" Cntrd	1" Bush	260	4.3
354DC-SW341	410/350-4	2	Tube-Type	Sawtooth	White	3-1/4" Off	3/4" BB	260	4.3
354DC-SW342	410/350-4	2	Tube-Type	Sawtooth	White	3-1/4" Off	5/8" BB	260	4.3
354DC-SW343	410/350-4	2	Tube-Type	Sawtooth	White	3-1/4" Off	1/2" BB	260	4.3
354DC-SW344	410/350-4	2	Tube-Type	Sawtooth	White	3-1/4" Off	1" Bush	260	4.3
354DC-SW41	410/350-4	2	Tube-Type	Sawtooth	White	4" Cntrd	3/4" BB	260	4.3
354DC-SW42	410/350-4	2	Tube-Type	Sawtooth	White	4" Cntrd	5/8" BB	260	4.3
354DC-SW43	410/350-4	2	Tube-Type	Sawtooth	White	4" Cntrd	1/2" BB	260	4.3
354DC-SW44	410/350-4	2	Tube-Type	Sawtooth	White	4" Cntrd	1" Bush	260	4.3
354DC-SWL241	410/350-4	2	Tubeless	Sawtooth	White	2-1/4" Off	3/4" BB	260	4.3
354DC-SWL242	410/350-4	2	Tubeless	Sawtooth	White	2-1/4" Off	5/8" BB	260	4.3
354DC-SWL243	410/350-4	2	Tubeless	Sawtooth	White	2-1/4" Off	1/2" BB	260	4.3
354DC-SWL244	410/350-4	2	Tubeless	Sawtooth	White	2-1/4" Off	1" Bush	260	4.3

SLOW SPEED INDUSTRIAL WHEELS



1pc Drop Center Wheel Assemblies Sawtooth & Stud Tires



Part Number	Size	Ply Rating	Type	Tire	Color	Hub Length	Bore Size & Type	Capacity	Shipping Weight
354DCSWL241N	410/350-4	2	Tubeless	Sawtooth	White	2-1/4" Off	3/4" BB	260	4.3
354DCSWL242N	410/350-4	2	Tubeless	Sawtooth	White	2-1/4" Off	5/8" BB	260	4.3
354DCSWL243N	410/350-4	2	Tubeless	Sawtooth	White	2-1/4" Off	1/2" BB	260	4.3
354DC-SWL31	410/350-4	2	Tubeless	Sawtooth	White	3" Cntrd	3/4" BB	260	4.3
354DC-SWL32	410/350-4	2	Tubeless	Sawtooth	White	3" Cntrd	5/8" BB	260	4.3
354DC-SWL33	410/350-4	2	Tubeless	Sawtooth	White	3" Cntrd	1/2" BB	260	4.3
354DC-SWL34	410/350-4	2	Tubeless	Sawtooth	White	3" Cntrd	1" Bush	260	4.3
354DC-SWL341	410/350-4	2	Tubeless	Sawtooth	White	3-1/4" Off	3/4" BB	260	4.3
354DC-SWL342	410/350-4	2	Tubeless	Sawtooth	White	3-1/4" Off	5/8" BB	260	4.3
354DC-SWL343	410/350-4	2	Tubeless	Sawtooth	White	3-1/4" Off	1/2" BB	260	4.3
354DC-SWL344	410/350-4	2	Tubeless	Sawtooth	White	3-1/4" Off	1" Bush	260	4.3
354DC-SWL41	410/350-4	2	Tubeless	Sawtooth	White	4" Cntrd	3/4" BB	260	4.3
354DC-SWL42	410/350-4	2	Tubeless	Sawtooth	White	4" Cntrd	5/8" BB	260	4.3
354DC-SWL43	410/350-4	2	Tubeless	Sawtooth	White	4" Cntrd	1/2" BB	260	4.3
354DC-SWL44	410/350-4	2	Tubeless	Sawtooth	White	4" Cntrd	1" Bush	260	4.3
355DC-ST301	410/350-5	2	Tube-Type	Stud	White	3" Off	3/4" BB	255	5.3
355DC-ST302	410/350-5	2	Tube-Type	Stud	White	3" Off	5/8" BB	255	5.3
355DC-ST303	410/350-5	2	Tube-Type	Stud	White	3" Off	1/2" BB	255	5.3
355DC-ST304	410/350-5	2	Tube-Type	Stud	White	3" Off	1" Bush	255	5.3
355DC-SW301	410/350-5	2	Tube-Type	Sawtooth	White	3" Off	3/4" BB	255	5.3
355DC-SW302	410/350-5	2	Tube-Type	Sawtooth	White	3" Off	5/8" BB	255	5.3
355DC-SW303	410/350-5	2	Tube-Type	Sawtooth	White	3" Off	1/2" BB	255	5.3
355DC-SW304	410/350-5	2	Tube-Type	Sawtooth	White	3" Off	1" Bush	255	5.3
356DC4-SWL31	410/350-6	4	Tubeless	Sawtooth	White	3" Cntrd	3/4" BB	440	6.0
356DC4-SWL32	410/350-6	4	Tubeless	Sawtooth	White	3" Cntrd	5/8" BB	440	6.0
356DC4-SWL34	410/350-6	4	Tubeless	Sawtooth	White	3" Cntrd	1" Bush	440	6.0
356DC-4SWG31	410/350-6	4	Tube-Type	Gray Sawt	White	3" Cntrd	3/4" BB	440	6.0
356DC-4SWG32	410/350-6	4	Tube-Type	Gray Sawt	White	3" Cntrd	5/8" BB	440	6.0
356DC-STL341	410/350-6	2	Tubeless	Stud	White	3-1/4" Off	3/4" BB	285	6.0
356DC-STL342	410/350-6	2	Tubeless	Stud	White	3-1/4" Off	5/8" BB	285	6.0
356DC-STL343	410/350-6	2	Tubeless	Stud	White	3-1/4" Off	1/2" BB	285	6.0
356DC-STL344	410/350-6	2	Tubeless	Stud	White	3-1/4" Off	1" Bush	285	6.0
356DC-4SWG31	410/350-6	4	Tube-Type	Gray Sawt	White	3" Cntrd	3/4" BB	440	6.0
356DC-4SWG32	410/350-6	4	Tube-Type	Gray Sawt	White	3" Cntrd	5/8" BB	440	6.0

SLOW SPEED INDUSTRIAL WHEELS



1pc Drop Center Wheel Assemblies Stud, Sawtooth, Rib and Turf Rider Tires



Part Number	Size	Ply Rating	Type	Tire	Color	Hub Length	Bore Size & Type	Capacity	Shipping Weight
356DC-STL344	410/350-6	2	Tubeless	Stud	White	3-1/4" Off	1" Bush	285	6.0
356DC-4SWG31	410/350-6	4	Tube-Type	Gray Sawt	White	3" Cntrd	3/4" BB	440	6.0
356DC-4SWG32	410/350-6	4	Tube-Type	Gray Sawt	White	3" Cntrd	5/8" BB	440	6.0
356DC-STL341	410/350-6	2	Tubeless	Stud	White	3-1/4" Off	3/4" BB	285	6.0
356DC-STL342	410/350-6	2	Tubeless	Stud	White	3-1/4" Off	5/8" BB	285	6.0
356DC-STL343	410/350-6	2	Tubeless	Stud	White	3-1/4" Off	1/2" BB	285	6.0
356DC-STL344	410/350-6	2	Tubeless	Stud	White	3-1/4" Off	1" Bush	285	6.0
356DC-SW341	410/350-6	2	Tube-Type	Sawtooth	White	3-1/4" Off	3/4" BB	285	6.0
356DC-SW342	410/350-6	2	Tube-Type	Sawtooth	White	3-1/4" Off	5/8" BB	285	6.0
356DC-SW343	410/350-6	2	Tube-Type	Sawtooth	White	3-1/4" Off	1/2" BB	285	6.0
356DC-SW344	410/350-6	2	Tube-Type	Sawtooth	White	3-1/4" Off	1" Bush	285	6.0
356DC-SWL31	410/350-6	2	Tubeless	Sawtooth	White	3" Cntrd	3/4" BB	285	6.0
356DC-SWL32	410/350-6	2	Tubeless	Sawtooth	White	3" Cntrd	5/8" BB	285	6.0
356DC-SWL33	410/350-6	2	Tubeless	Sawtooth	White	3" Cntrd	1/2" BB	285	6.0
356DC-SWL34	410/350-6	2	Tubeless	Sawtooth	White	3" Cntrd	1" Bush	285	6.0
356DC-SWL341	410/350-6	2	Tubeless	Sawtooth	White	3-1/4" Off	3/4" BB	285	6.0
356DC-SWL342	410/350-6	2	Tubeless	Sawtooth	White	3-1/4" Off	5/8" BB	285	6.0
356DC-SWL343	410/350-6	2	Tubeless	Sawtooth	White	3-1/4" Off	1/2" BB	285	6.0
356DC-SWL344	410/350-6	2	Tubeless	Sawtooth	White	3-1/4" Off	1" Bush	285	6.0
405DC-R301I	11x400-5	2	Tubeless	Rib	White	3" Off	3/4" BB	210	5.0
405DC-R302I	11x400-5	2	Tubeless	Rib	White	3" Off	5/8" BB	210	5.0
405DC-R303I	11x400-5	2	Tubeless	Rib	White	3" Off	1/2" BB	210	5.0
405DC-R304I	11x400-5	2	Tubeless	Rib	White	3" Off	1" Bush	210	5.0
405DC-TR302I	11x400-5	2	Tubeless	Turf Rider	White	3" Off	3/4" BB	210	5.0
405DC-TR303I	11x400-5	2	Tubeless	Turf Rider	White	3" Off	5/8" BB	210	5.0
405DC-TR304I	11x400-5	2	Tubeless	Turf Rider	White	3" Off	1" Bush	210	5.0
406DC3-12BB	400-6	2	Tubeless	Rib LW	White	3" Cntrd	1/2" BB	260	5.5
406DC3-1B	400-6	2	Tubeless	Rib LW	White	3" Cntrd	1" Bush	260	5.5
406DC3-34BB	400-6	2	Tubeless	Rib LW	White	3" Cntrd	3/4" BB	260	5.5
406DC3-58BB	400-6	2	Tubeless	Rib LW	White	3" Cntrd	5/8" BB	260	5.5
406DC4-12BB	400-6	2	Tubeless	Rib LW	White	4" Cntrd	1/2" BB	260	5.5
406DC4-1B	400-6	2	Tubeless	Rib LW	White	4" Cntrd	1" Bush	260	5.5
406DC4-34BB	400-6	2	Tubeless	Rib LW	White	4" Cntrd	3/4" BB	260	5.5
406DC4-58BB	400-6	2	Tubeless	Rib LW	White	4" Cntrd	5/8" BB	260	5.5

SLOW SPEED INDUSTRIAL WHEELS



1pc Drop Center Wheel Assemblies Rib, Smooth, Sawtooth & Stud Tires



Part Number	Size	Ply Rating	Type	Tire	Color	Hub Length	Bore Size & Type	Capacity	Shipping Weight
406DC6-12BB	400-6	2	Tubeless	Rib LW	White	6" Cntrd	1/2" BB	260	5.5
406DC6-1B	400-6	2	Tubeless	Rib LW	White	6" Cntrd	1" Bush	260	5.5
406DC6-34BB	400-6	2	Tubeless	Rib LW	White	6" Cntrd	3/4" BB	260	5.5
406DC6-58BB	400-6	2	Tubeless	Rib LW	White	6" Cntrd	5/8" BB	260	5.5
408DC3-12B	400-8	2	Tubeless	Rib	White	3" Cntrd	1/2" Bush	435	8.0
408DC3-12BB	400-8	2	Tubeless	Rib	White	3" Cntrd	1/2" BB	435	8.0
408DC3-1B	400-8	2	Tubeless	Rib	White	3" Cntrd	1" Bush	435	8.0
408DC3-34B	400-8	2	Tubeless	Rib	White	3" Cntrd	3/4" Bush	435	8.0
408DC3-58B	400-8	2	Tubeless	Rib	White	3" Cntrd	5/8" Bush	435	8.0
408DC3-58BB	400-8	2	Tubeless	Rib	White	3" Cntrd	5/8" BB	435	8.0
408DC3-LW1R	400-8	2	Tubeless	Rib	White	3" Cntrd	1" OCRB	435	10.0
408DC3-LW34R	400-8	2	Tubeless	Rib	White	3" Cntrd	3/4" OCRB	435	10.0
408DC3-LW58R	400-8	2	Tubeless	Rib	White	3" Cntrd	5/8" OCRB	435	10.0
408DC3-SM34	400-8	2	Tubeless	Smooth	White	3" Cntrd	3/4" BB	435	8.3
408DC3-SM58	400-8	2	Tubeless	Smooth	White	3" Cntrd	5/8" BB	435	8.3
408DC3-SM12	400-8	2	Tubeless	Smooth	White	3" Cntrd	1/2" BB	435	8.3
408DC3-SM1B	400-8	2	Tubeless	Smooth	White	3" Cntrd	1" Bush	435	8.3
408DC3-SM1R	400-8	2	Tubeless	Smooth	White	3" Cntrd	1" OCRB	435	8.3
408DC3-SM34R	400-8	2	Tubeless	Smooth	White	3" Cntrd	3/4" OCRB	435	8.3
408DC3-ST34	400-8	2	Tubeless	Stud	White	3" Cntrd	3/4" BB	435	8.3
408DC3-ST58	400-8	2	Tubeless	Stud	White	3" Cntrd	5/8" BB	435	8.3
408DC3-SW34	480-8	2	Tubeless	Sawtooth	White	3" Cntrd	3/4" BB	390	8.3
408DC3-SW58	400-8	2	Tubeless	Sawtooth	White	3" Cntrd	5/8" BB	390	8.3
408DC3-SW12	400-8	2	Tubeless	Sawtooth	White	3" Cntrd	1/2" BB	390	8.3
408DC3-SW1B	480-8	2	Tubeless	Sawtooth	White	3" Cntrd	1" Bush	390	8.3
408DC3-SW34B	480-8	2	Tubeless	Sawtooth	White	3" Cntrd	3/4" Bush	390	8.3
408DC3-SW58B	480-8	2	Tubeless	Sawtooth	White	3" Cntrd	5/8" Bush	390	8.3
408DC3-SW12B	480-8	2	Tubeless	Sawtooth	White	3" Cntrd	1/2" Bush	390	8.3
408DC3-SW1R	480-8	2	Tubeless	Sawtooth	White	3" Cntrd	1" OCRB	390	9.5
408DC3-SW34R	480-8	2	Tubeless	Sawtooth	White	3" Cntrd	3/4" OCRB	390	9.5
408DC3W-34BB	480-8	2	Tubeless	Sawtooth	White	3" Cntrd	3/4" BB	390	10.0
408DC3W-58BB	480-8	2	Tubeless	Sawtooth	White	3" Cntrd	5/8" BB	390	10.0
408DC3W-12BB	480-8	2	Tubeless	Sawtooth	White	3" Cntrd	1/2" BB	390	10.0
408DC3W-1B	480-8	2	Tubeless	Sawtooth	White	3" Cntrd	1" Bush	390	10.0

SLOW SPEED INDUSTRIAL WHEELS



1pc Drop Center Wheel Assemblies Rib, Sawtooth, Smooth & Stud Tires



Part Number	Size	Ply Rating	Type	Tire	Color	Hub Length	Bore Size & Type	Capacity	Shipping Weight
408DC3-WRB1	480-8	2	Tubeless	Sawtooth	White	3" Cntrd	1" OCRB	390	10.0
408DC3-WRB34	480-8	2	Tubeless	Sawtooth	White	3" Cntrd	3/4" OCRB	390	10.0
408DC4-34BB	400-8	2	Tubeless	Rib	White	4" Cntrd	3/4" BB	435	8.3
408DC4-58BB	400-8	2	Tubeless	Rib	White	4" Cntrd	5/8" BB	435	8.3
408DC4-12BB	400-8	2	Tubeless	Rib	White	4" Cntrd	1/2" BB	435	8.3
408DC4-1B	400-8	2	Tubeless	Rib	White	4" Cntrd	1" Bush	435	8.3
408DC4-34B	400-8	2	Tubeless	Rib	White	4" Cntrd	3/4" Bush	435	8.3
408DC4-58B	400-8	2	Tubeless	Rib	White	4" Cntrd	5/8" Bush	435	8.3
408DC4-12B	400-8	2	Tubeless	Rib	White	4" Cntrd	1/2" Bush	435	8.3
408DC4-LW1R	400-8	2	Tubeless	Rib	White	4" Cntrd	1" OCRB	435	9.5
408DC4-LW34R	400-8	2	Tubeless	Rib	White	4" Cntrd	3/4" OCRB	435	9.5
408DC4-LW58R	400-8	2	Tubeless	Rib	White	4" Cntrd	5/8" OCRB	435	9.5
408DC4-SM34	400-8	2	Tubeless	Smooth	White	4" Cntrd	3/4" BB	435	8.3
408DC4-SM58	400-8	2	Tubeless	Smooth	White	4" Cntrd	5/8" BB	435	8.3
408DC4-SM12	400-8	2	Tubeless	Smooth	White	4" Cntrd	1/2" BB	435	8.3
408DC4-SM1B	400-8	2	Tubeless	Smooth	White	4" Cntrd	1" Bush	435	8.3
408DC4-SM1R	400-8	2	Tubeless	Smooth	White	4" Cntrd	1" OCRB	435	8.3
408DC4-SM34R	400-8	2	Tubeless	Smooth	White	4" Cntrd	3/4" OCRB	435	8.3
408DC4-ST34	400-8	2	Tubeless	Stud	White	4" Cntrd	3/4" BB	435	8.3
408DC4-ST58	400-8	2	Tubeless	Stud	White	4" Cntrd	5/8" BB	435	8.3
408DC4-SW34	480-8	2	Tubeless	Sawtooth	White	4" Cntrd	3/4" BB	390	8.3
408DC4-SW58	480-8	2	Tubeless	Sawtooth	White	4" Cntrd	5/8" BB	390	8.3
408DC4-SW12	480-8	2	Tubeless	Sawtooth	White	4" Cntrd	1/2" BB	390	8.3
408DC4-SW1B	480-8	2	Tubeless	Sawtooth	White	4" Cntrd	1" Bush	390	8.3
408DC4-SW34B	480-8	2	Tubeless	Sawtooth	White	4" Cntrd	3/4" Bush	390	8.3
408DC4-SW58B	480-8	2	Tubeless	Sawtooth	White	4" Cntrd	5/8" Bush	390	8.3
408DC4-SW12B	480-8	2	Tubeless	Sawtooth	White	4" Cntrd	1/2" Bush	390	8.3
408DC4W-34BB	480-8	2	Tubeless	Sawtooth	White	4" Cntrd	3/4" BB	390	8.3
408DC4W-58BB	480-8	2	Tubeless	Sawtooth	White	4" Cntrd	5/8" BB	390	8.3
408DC4W-12BB	480-8	2	Tubeless	Sawtooth	White	4" Cntrd	1/2" BB	390	8.3
408DC4W-1B	480-8	2	Tubeless	Sawtooth	White	4" Cntrd	1" Bush	390	8.3
408DC4-WRB1	480-8	2	Tubeless	Sawtooth	White	4" Cntrd	1" OCRB	390	8.3
408DC4-WRB34	480-8	2	Tubeless	Sawtooth	White	4" Cntrd	3/4" OCRB	390	8.3

SLOW SPEED INDUSTRIAL WHEELS



1pc Drop Center Wheel Assemblies Rib, Sawtooth & Smooth Tires



Part Number	Size	Ply Rating	Type	Tire	Color	Hub Length	Bore Size & Type	Capacity	Shipping Weight
408DC6-34BB	400-8	2	Tubeless	Rib	White	6" Cntrd	3/4" BB	435	8.5
408DC6-58BB	400-8	2	Tubeless	Rib	White	6" Cntrd	5/8" BB	435	8.5
408DC6-12BB	400-8	2	Tubeless	Rib	White	6" Cntrd	1/2" BB	435	8.5
408DC6-1B	400-8	2	Tubeless	Rib	White	6" Cntrd	1" Bush	435	8.5
408DC6-34B	400-8	2	Tubeless	Rib	White	6" Cntrd	3/4" Bush	435	8.5
408DC6-58B	400-8	2	Tubeless	Rib	White	6" Cntrd	5/8" Bush	435	8.5
408DC6-12B	400-8	2	Tubeless	Rib	White	6" Cntrd	1/2" Bush	435	8.5
408DC6-LW1R	400-8	2	Tubeless	Rib	White	6" Cntrd	1" OCRB	435	8.5
408DC6-LW34R	400-8	2	Tubeless	Rib	White	6" Cntrd	3/4" OCRB	435	8.5
408DC6-SM12	400-8	2	Tubeless	Smooth	White	6" Cntrd	1/2" BB	435	8.5
408DC6-SM1B	400-8	2	Tubeless	Smooth	White	6" Cntrd	1" Bush	435	8.5
408DC6-SM1R	400-8	2	Tubeless	Smooth	White	6" Cntrd	1" OCRB	435	8.5
408DC6-SM34R	400-8	2	Tubeless	Smooth	White	6" Cntrd	3/4" OCRB	435	8.5
408DC6-ST34	400-8	2	Tubeless	Smooth	White	6" Cntrd	3/4" BB	435	8.5
408DC6-ST58	400-8	2	Tubeless	Smooth	White	6" Cntrd	5/8" BB	435	8.5
408DC6-SW34	480-8	2	Tubeless	Sawtooth	White	6" Cntrd	3/4" BB	435	8.5
408DC6-SW58	480-8	2	Tubeless	Sawtooth	White	6" Cntrd	5/8" BB	435	8.5
408DC6-SW12	480-8	2	Tubeless	Sawtooth	White	6" Cntrd	1/2" BB	435	8.5
408DC6-SW1B	480-8	2	Tubeless	Sawtooth	White	6" Cntrd	1" Bush	435	8.5
408DC6-SW34B	480-8	2	Tubeless	Sawtooth	White	6" Cntrd	3/4" Bush	435	8.5
408DC6-SW58B	480-8	2	Tubeless	Sawtooth	White	6" Cntrd	5/8" Bush	435	8.5
408DC6-SW12B	480-8	2	Tubeless	Sawtooth	White	6" Cntrd	1/2" Bush	435	8.5
408DC6-SW1R	480-8	2	Tubeless	Sawtooth	White	6" Cntrd	1" OCRB	390	10.8
408DC6-SW34R	480-8	2	Tubeless	Sawtooth	White	6" Cntrd	3/4" OCRB	390	10.8
408DC6-WRB1	480-8	2	Tubeless	Sawtooth	White	6" Cntrd	1" OCRB	390	10.8
408DC6-WRB34	480-8	2	Tubeless	Sawtooth	White	6" Cntrd	3/4" OCRB	390	10.8
408DC6-WRB58	480-8	2	Tubeless	Sawtooth	White	6" Cntrd	5/8" OCRB	390	10.8
408DC75-LW34	400-8	2	Tubeless	Rib	White	7-1/4" Cntrd	3/4" BB	435	8.5
408DC75-LW58	400-8	2	Tubeless	Rib	White	7-1/4" Cntrd	5/8" BB	435	8.5
409DC3-34BB	400-8	4	Tubeless	Rib	White	3" Cntrd	3/4" BB	670	9.3
409DC3-58BB	400-8	4	Tubeless	Rib	White	3" Cntrd	5/8" BB	670	9.3
409DC3-12BB	400-8	4	Tubeless	Rib	White	3" Cntrd	1/2" BB	670	9.3
409DC3-1B	400-8	4	Tubeless	Rib	White	3" Cntrd	1" Bush	670	9.3

SLOW SPEED INDUSTRIAL WHEELS



1pc Drop Center Wheel Assemblies Rib, Sawtooth, Stud & Smooth Tires



Part Number	Size	Ply Rating	Type	Tire	Color	Hub Length	Bore Size & Type	Capacity	Shipping Weight
409DC3-58B	400-8	4	Tubeless	Rib	White	3" Cntrd	3/4" Bush	670	9.3
409DC3-34B	400-8	4	Tubeless	Rib	White	3" Cntrd	5/8" Bush	670	9.3
409DC3-12B	400-8	4	Tubeless	Rib	White	3" Cntrd	1/2" Bush	670	9.3
409DC3-LW1R	400-8	4	Tubeless	Rib	White	3" Cntrd	1" OCRB	670	11.0
409DC3-LW34R	400-8	4	Tubeless	Rib	White	3" Cntrd	3/4" OCRB	670	11.0
409DC3-SM34	400-8	4	Tubeless	Smooth	White	3" Cntrd	3/4" BB	670	9.3
409DC3-SM58	400-8	4	Tubeless	Smooth	White	3" Cntrd	5/8" BB	670	9.3
409DC3-SM34R	400-8	4	Tubeless	Smooth	White	3" Cntrd	3/4" OCRB	670	10.5
409DC3-ST34	400-8	4	Tubeless	Stud	White	3" Cntrd	3/4" BB	475	9.5
409DC3-SW34	480-8	4	Tubeless	Sawtooth	White	3" Cntrd	3/4" BB	590	9.5
409DC3-SW58	480-8	4	Tubeless	Sawtooth	White	3" Cntrd	5/8" BB	590	9.5
409DC3-SW12	480-8	4	Tubeless	Sawtooth	White	3" Cntrd	1/2" BB	590	9.5
409DC3-SW1B	480-8	4	Tubeless	Sawtooth	White	3" Cntrd	1" Bush	590	9.5
409DC3-SW1R	480-8	4	Tubeless	Sawtooth	White	3" Cntrd	1" OCRB	590	9.5
409DC3-SW34R	480-8	4	Tubeless	Sawtooth	White	3" Cntrd	3/4" OCRB	590	9.5
409DC3W-34BB	480-8	4	Tubeless	Sawtooth	White	3" Cntrd	3/4" BB	590	10.0
409DC3W-58BB	480-8	4	Tubeless	Sawtooth	White	3" Cntrd	5/8" BB	590	10.0
409DC3W-12BB	480-8	4	Tubeless	Sawtooth	White	3" Cntrd	1/2" BB	590	10.0
409DC3W-1B	480-8	4	Tubeless	Sawtooth	White	3" Cntrd	1" Bush	590	10.0
409DC3-WRB1	480-8	4	Tubeless	Sawtooth	White	3" Cntrd	1" OCRB	590	9.5
409DC3-WRB34	480-8	4	Tubeless	Sawtooth	White	3" Cntrd	3/4" OCRB	590	9.5
409DC4-34BB	400-8	4	Tubeless	Rib	White	4" Cntrd	3/4" BB	670	9.5
409DC4-58BB	400-8	4	Tubeless	Rib	White	4" Cntrd	5/8" BB	670	9.5
409DC4-12BB	400-8	4	Tubeless	Rib	White	4" Cntrd	1/2" BB	670	9.5
409DC4-1B	400-8	4	Tubeless	Rib	White	4" Cntrd	1" Bush	670	9.5
409DC4-34B	400-8	4	Tubeless	Rib	White	4" Cntrd	3/4" Bush	670	9.5
409DC4-58B	400-8	4	Tubeless	Rib	White	4" Cntrd	5/8" Bush	670	9.5
409DC4-12B	400-8	4	Tubeless	Rib	White	4" Cntrd	1/2" Bush	670	9.5
409DC4-LW1R	400-8	4	Tubeless	Rib	White	4" Cntrd	1" OCRB	670	9.5
409DC4-LW34R	400-8	4	Tubeless	Rib	White	4" Cntrd	3/4" OCRB	670	9.5
409DC4-SM34	400-8	4	Tubeless	Smooth	White	4" Cntrd	3/4" BB	670	9.5
409DC4-SM58	400-8	4	Tubeless	Smooth	White	4" Cntrd	5/8" BB	670	9.5

SLOW SPEED INDUSTRIAL WHEELS



1pc Drop Center Wheel Assemblies Rib, Sawtooth & Smooth Tires



Part Number	Size	Ply Rating	Type	Tire	Color	Hub Length	Bore Size & Type	Capacity	Shipping Weight
409DC4-SM12	400-8	4	Tubeless	Smooth	White	4" Cntrd	1/2" BB	670	9.5
409DC4-SM1B	400-8	4	Tubeless	Smooth	White	4" Cntrd	1" Bush	670	9.5
409DC4-1B	400-8	4	Tubeless	Rib	White	4" Cntrd	1" Bush	670	9.5
409DC4-34B	400-8	4	Tubeless	Rib	White	4" Cntrd	3/4" Bush	670	9.5
409DC4-58B	400-8	4	Tubeless	Rib	White	4" Cntrd	5/8" Bush	670	9.5
409DC4-12B	400-8	4	Tubeless	Rib	White	4" Cntrd	1/2" Bush	670	9.5
409DC4-LW1R	400-8	4	Tubeless	Rib	White	4" Cntrd	1" OCRB	670	9.5
409DC4-LW34R	400-8	4	Tubeless	Rib	White	4" Cntrd	3/4" OCRB	670	9.5
409DC4-SM1R	400-8	4	Tubeless	Smooth	White	4" Cntrd	1" OCRB	670	9.5
409DC4-SM34R	400-8	4	Tubeless	Smooth	White	4" Cntrd	3/4" OCRB	670	9.5
409DC4-SM58R	400-8	4	Tubeless	Smooth	White	4" Cntrd	5/8" OCRB	670	9.5
409DC4-SW1R	400-8	4	Tubeless	Sawtooth	White	4" Cntrd	1" OCRB	590	9.5
409DC4-SW34R	400-8	4	Tubeless	Sawtooth	White	4" Cntrd	3/4" OCRB	590	9.5
409DC4W-34BB	400-8	4	Tubeless	Sawtooth	White	4" Cntrd	3/4" BB	590	10.3
409DC4W-58BB	400-8	4	Tubeless	Sawtooth	White	4" Cntrd	5/8" BB	590	10.3
409DC4W-12BB	400-8	4	Tubeless	Sawtooth	White	4" Cntrd	1/2" BB	590	10.3
409DC4W-1B	400-8	4	Tubeless	Sawtooth	White	4" Cntrd	1" Bush	590	10.3
409DC4-WRB4	400-8	4	Tubeless	Sawtooth	White	4" Cntrd	1-1/4" OCRB	590	9.8
409DC4-WRB1	400-8	4	Tubeless	Sawtooth	White	4" Cntrd	1" OCRB	590	9.8
409DC4-WRB34	400-8	4	Tubeless	Sawtooth	White	4" Cntrd	3/4" OCRB	590	9.8
409DC6-34BB	400-8	4	Tubeless	Rib	White	6" Cntrd	3/4" BB	670	10.5
409DC6-58BB	400-8	4	Tubeless	Rib	White	6" Cntrd	5/8" BB	670	10.5
409DC6-12BB	400-8	4	Tubeless	Rib	White	6" Cntrd	1/2" BB	670	10.5
409DC6-1B	400-8	4	Tubeless	Rib	White	6" Cntrd	1" Bush	670	10.5
409DC6-34B	400-8	4	Tubeless	Rib	White	6" Cntrd	3/4" Bush	670	10.5
409DC6-58B	400-8	4	Tubeless	Rib	White	6" Cntrd	5/8" Bush	670	10.5
409DC6-12B	400-8	4	Tubeless	Rib	White	6" Cntrd	1/2" Bush	670	10.5

SLOW SPEED INDUSTRIAL WHEELS



1pc Drop Center Wheel Assemblies Rib, Sawtooth & Smooth Tires



Part Number	Size	Ply Rating	Type	Tire	Color	Hub Length	Bore Size & Type	Capacity	Shipping Weight
409DC6-LW1R	400-8	4	Tubeless	Rib	White	6" Cntrd	1" OCRB	670	10.5
409DC6-LW34R	400-8	4	Tubeless	Rib	White	6" Cntrd	3/4" OCRB	670	10.5
409DC6-LW58R	400-8	4	Tubeless	Rib	White	6" Cntrd	5/8" OCRB	670	10.5
409DC6-SM34	400-8	4	Tubeless	Smooth	White	6" Cntrd	3/4" BB	670	10.5
409DC6-SM58	400-8	4	Tubeless	Smooth	White	6" Cntrd	5/8" BB	670	10.5
409DC6-SM12	400-8	4	Tubeless	Smooth	White	6" Cntrd	1/2" BB	670	10.5
409DC6-SM1B	400-8	4	Tubeless	Smooth	White	6" Cntrd	1" Bush	670	10.5
409DC6-SM1R	400-8	4	Tubeless	Smooth	White	6" Cntrd	1" OCRB	670	10.5
409DC6-SM34R	400-8	4	Tubeless	Smooth	White	6" Cntrd	3/4" OCRB	670	10.5
409DC6-ST58	400-8	4	Tubeless	Stud	White	6" Cntrd	5/8" BB	475	10.5
409DC6-SW34	480-8	4	Tubeless	Sawtooth	White	6" Cntrd	3/4" BB	590	9.7
409DC6-SW58	480-8	4	Tubeless	Sawtooth	White	6" Cntrd	5/8" BB	590	9.7
409DC6-SW12	480-8	4	Tubeless	Sawtooth	White	6" Cntrd	1/2" BB	590	9.7
409DC6-SW1B	480-8	4	Tubeless	Sawtooth	White	6" Cntrd	1" Bush	590	9.7
409DC6-SW1R	480-8	4	Tubeless	Sawtooth	White	6" Cntrd	1" OCRB	575	9.7
409DC6-SW34R	480-8	4	Tubeless	Sawtooth	White	6" Cntrd	3/4" OCRB	575	9.7
409DC6-WRB1	480-8	4	Tubeless	Sawtooth	White	7-1/2" Cntrd	1" OCRB	575	11.8
409DC6-WRB34	480-8	4	Tubeless	Sawtooth	White	7-1/2" Cntrd	3/4" OCRB	575	11.8
409DC75-LW34	480-8	4	Tubeless	Sawtooth	White	6" Cntrd	3/4" BB	575	11.8
409DC75-LW58	480-8	4	Tubeless	Sawtooth	White	6" Cntrd	5/8" BB	575	11.8
410DC4-WRB6	480-8	6	Tubeless	Sawtooth	White	4" Cntrd	1-1/4" OCRB	760	12.5
410DC6-SW58R	480-8	6	Tubeless	Sawtooth	White	6" Cntrd	5/8" OCRB	760	12.5
456DC-ST341	530/450-6	2	Tube-Type	Stud	White	3-1/4" Off	3/4" BB	450	8.0
456DC-ST342	530/450-6	2	Tube-Type	Stud	White	3-1/4" Off	5/8" BB	450	8.0
456DC-ST343	530/450-6	2	Tube-Type	Stud	White	3-1/4" Off	1/2" BB	450	8.0
456DC-ST344	530/450-6	2	Tube-Type	Stud	White	3-1/4" Off	1" Bush	450	8.0
506DC-R341	13x500-6	2	Tubeless	Rib	White	3-1/4" Off	3/4" BB	295	7.0
506DC-R342	13x500-6	2	Tubeless	Rib	White	3-1/4" Off	5/8" BB	295	7.0
506DC-R343	13x500-6	2	Tubeless	Rib	White	3-1/4" Off	1/2" BB	295	7.0
506DC-R344	13x500-6	2	Tubeless	Rib	White	3-1/4" Off	1" Bush	295	7.0

SLOW SPEED INDUSTRIAL WHEELS



1pc Drop Center Wheel Assemblies Rib, Smooth & Turf Rider Tires



Part Number	Size	Ply Rating	Type	Tire	Color	Hub Length	Bore Size & Type	Capacity	Shipping Weight
506DC-TR341	13x500-6	2	Tubeless	Turf Rider	White	3-1/4" Off	3/4" BB	295	7.0
506DC-TR342	13x500-6	2	Tubeless	Turf Rider	White	3-1/4" Off	5/8" BB	295	7.0
506DC-TR343	13x500-6	2	Tubeless	Turf Rider	White	3-1/4" Off	1/2" BB	295	7.0
506DC-TR344	13x500-6	2	Tubeless	Turf Rider	White	3-1/4" Off	1" Bush	295	7.0
606DC-R341I	15x600-6	2	Tubeless	Rib	White	3-1/4" Off	3/4" BB	365	7.5
606DC-R342I	15x600-6	2	Tubeless	Rib	White	3-1/4" Off	5/8" BB	365	7.5
606DC-R343I	15x600-6	2	Tubeless	Rib	White	3-1/4" Off	1/2" BB	365	7.5
606DC-R344I	15x600-6	2	Tubeless	Rib	White	3-1/4" Off	1" Bush	365	7.5
606DC-TR341I	15x600-6	2	Tubeless	Turf Rider	White	3-1/4" Off	3/4" BB	365	7.5
606DC-TR342I	15x600-6	2	Tubeless	Turf Rider	White	3-1/4" Off	5/8" BB	365	7.5
606DC-TR343I	15x600-6	2	Tubeless	Turf Rider	White	3-1/4" Off	1/2" BB	365	7.5
606DC-TR344I	15x600-6	2	Tubeless	Turf Rider	White	3-1/4" Off	1" Bush	365	7.5
656DC4-R341I	13x650-6	4	Tubeless	Rib	White	3-1/4" Off	3/4" BB	460	6.8
656DC4-R342I	13x650-6	4	Tubeless	Rib	White	3-1/4" Off	5/8" BB	460	6.8
656DC4-R343I	13x650-6	4	Tubeless	Rib	White	3-1/4" Off	1/2" BB	460	6.8
656DC4-R344I	13x650-6	4	Tubeless	Rib	White	3-1/4" Off	1" Bush	460	6.8
656DC4-SM341	13x650-6	4	Tubeless	Smooth	White	3-1/4" Off	3/4" BB	460	6.8
656DC-TR341I	13x650-6	2	Tubeless	Turf Rider	White	3-1/4" Off	3/4" BB	305	6.8
656DC-TR342I	13x650-6	2	Tubeless	Turf Rider	White	3-1/4" Off	5/8" BB	305	6.8
656DC-TR343I	13x650-6	2	Tubeless	Turf Rider	White	3-1/4" Off	1/2" BB	305	6.8
656DC-TR344I	13x650-6	2	Tubeless	Turf Rider	White	3-1/4" Off	1" Bush	305	6.8
658DC3W-R1I	16x650-8	2	Tubeless	Rib	White	3" Cntrd	3/4" BB	415	12.0
658DC3W-R2I	16x650-8	2	Tubeless	Rib	White	3" Cntrd	5/8" BB	415	12.0
658DC3W-R3I	16x650-8	2	Tubeless	Rib	White	3" Cntrd	1/2" BB	415	12.0
658DC3W-R4I	16x650-8	2	Tubeless	Rib	White	3" Cntrd	1" Bush	415	12.0
658DC3-WRR1	16x650-8	2	Tubeless	Rib	White	3" Cntrd	1" OCRB	415	12.0
658DC3-WRR34	16x650-8	2	Tubeless	Rib	White	3" Cntrd	3/4" OCRB	415	12.0
658DC3-WRT1	16x650-8	2	Tubeless	Rib	White	3" Cntrd	1" OCRB	415	12.0
658DC3-WRT34	16x650-8	2	Tubeless	Rib	White	3" Cntrd	3/4" OCRB	415	12.0
658DC3W-TR1I	16x650-8	2	Tubeless	Turf Rider	White	3" Cntrd	3/4" BB	415	12.0
658DC3W-TR2I	16x650-8	2	Tubeless	Turf Rider	White	3" Cntrd	5/8" BB	415	12.0
658DC3W-TR3I	16x650-8	2	Tubeless	Turf Rider	White	3" Cntrd	1/2" BB	415	12.0
658DC3W-TR4I	16x650-8	2	Tubeless	Turf Rider	White	3" Cntrd	1" Bush	415	12.0

SLOW SPEED INDUSTRIAL WHEELS



1pc Drop Center Wheel Assemblies Rib, Turf Max & Turf Rider Tires



Part Number	Size	Ply Rating	Type	Tire	Color	Hub Length	Bore Size & Type	Capacity	Shipping Weight
658DC3X-R1I	16x650-8	2	Tubeless	Rib	White	3" Off	3/4" BB	415	13.0
658DC3X-R2I	16x650-8	2	Tubeless	Rib	White	3" Off	5/8" BB	415	13.0
658DC3X-R3I	16x650-8	2	Tubeless	Rib	White	3" Off	1/2" BB	415	13.0
658DC3X-R4I	16x650-8	2	Tubeless	Rib	White	3" Off	1" Bush	415	13.0
658DC3X-TR1I	16x650-8	2	Tubeless	Turf Rider	White	3" Off	3/4" BB	415	13.0
658DC3X-TR2I	16x650-8	2	Tubeless	Turf Rider	White	3" Off	5/8" BB	415	13.0
658DC3X-TR3I	16x650-8	2	Tubeless	Turf Rider	White	3" Off	1/2" BB	415	13.0
658DC3X-TR4I	16x650-8	2	Tubeless	Turf Rider	White	3" Off	1" Bush	415	13.0
658DC4W-R1I	16x650-8	2	Tubeless	Rib	White	4" Cntrd	3/4" BB	415	12.0
658DC4W-R2I	16x650-8	2	Tubeless	Rib	White	4" Cntrd	5/8" BB	415	12.0
658DC4W-R3I	16x650-8	2	Tubeless	Rib	White	4" Cntrd	1/2" BB	415	12.0
658DC4W-R4I	16x650-8	2	Tubeless	Rib	White	4" Cntrd	1" Bush	415	12.0
658DC4-WRR1	16x650-8	2	Tubeless	Rib	White	4" Cntrd	1" OCRB	415	11.5
658DC4-WRR34	16x650-8	2	Tubeless	Rib	White	4" Cntrd	3/4" OCRB	415	11.5
658DC4-WRT1	16x650-8	2	Tubeless	Turf Rider	White	4" Cntrd	1" OCRB	415	11.5
658DC4-WRT34	16x650-8	2	Tubeless	Turf Rider	White	4" Cntrd	3/4" OCRB	415	11.5
658DC4W-TR1I	16x650-8	2	Tubeless	Turf Rider	White	4" Cntrd	3/4" BB	415	11.5
658DC4W-TR2I	16x650-8	2	Tubeless	Turf Rider	White	4" Cntrd	5/8" BB	415	11.5
658DC4W-TR3I	16x650-8	2	Tubeless	Turf Rider	White	4" Cntrd	1/2" BB	415	11.5
658DC4W-TR4I	16x650-8	2	Tubeless	Turf Rider	White	4" Cntrd	1" Bush	415	11.5
658DC4X-R2I	16x650-8	2	Tubeless	Rib	White	4" Off	5/8" BB	415	13.0
658DC4X-R3I	16x650-8	2	Tubeless	Rib	White	4" Off	1/2" BB	415	13.0
658DC4X-R4I	16x650-8	2	Tubeless	Rib	White	4" Off	1" Bush	415	13.0
658DC4X-TR1I	16x650-8	2	Tubeless	Turf Rider	White	4" Off	3/4" BB	415	13.0
658DC4X-TR2I	16x650-8	2	Tubeless	Turf Rider	White	4" Off	5/8" BB	415	13.0
658DC4X-TR3I	16x650-8	2	Tubeless	Turf Rider	White	4" Off	1/2" BB	415	13.0
658DC4X-TR4I	16x650-8	2	Tubeless	Turf Rider	White	4" Off	1" Bush	415	13.0
858DC34-4TR	18x850-8	4	Tubeless	Turf Rider	White	3-1/2" Cntrd	3/4" Bush	815	16.3
858DC34-4TR4	18x850-8	4	Tubeless	Turf Rider	White	3-1/2" Cntrd	3/4" Bush	815	16.3
858DC34-R1R	18x850-8	4	Tubeless	Rib	White	3" Cntrd	1" OCRB	815	16.3
858DC34-R4	18x850-8	4	Tubeless	Rib	White	3" Cntrd	1" Bush	815	16.3
9354DC3C34	9x350-4	4	Tubeless	Turf Max	White	3" Cntrd	3/4" BB	230	4.3
9354DC4-325OF	9x350-4	4	Tubeless	Turf Max	White	3-1/4" Off	3/4" BB	230	4.3

SLOW SPEED INDUSTRIAL WHEELS



1pc Drop Center Wheel Assemblies Smooth & Turf Max Tires 9" Overall Diameter



Part Number	Size	Ply Rating	Type	Tire	Color	Hub Length	Bore Size & Type	Capacity	Shipping Weight
9354DC-TR33	9x350-4	4	Tubeless	Turf Max	White	3" Cntrd	1/2" BB	230	4.3
9354DC-TR34	9x350-4	4	Tubeless	Turf Max	White	3" Cntrd	1" Bush	230	4.3
9354DC3C34RI	9x350-4	4	Tubeless	Smooth	White	3-1/4" Cntrd	3/4" BB	230	4.3
9354DC4SM241	9x350-4	4	Tubeless	Smooth	White	2-1/4" Off	3/4" BB	230	4.3
9354DC4-SM34	9x350-4	4	Tubeless	Smooth	White	4" Cntrd	3/4" OCRB	230	4.3
9354DC-TR43	9x350-4	4	Tubeless	Turf Max	White	4" Cntrd	1/2" BB	230	4.3
9354DCTRL242	9x350-4	4	Tubeless	Turf Max	White	2-1/4" Off	5/8" BB	230	4.3
9354DC-TR242	9x350-4	4	Tube-Type	Turf Max	White	2-1/4" Off	5/8" BB	230	4.3

2pc Bolt Together Wheel Assemblies Sawtooth & Stud Tires



Part Number	Size	Ply Rating	Type	Tire	Color	Hub Length	Bore Size & Type	Capacity	Shipping Weight
284M4-SW12B	280/250-4	4	Tube-Type	Sawtooth	White	2-1/8" Cntrd	1/2" Bush	260	3.8
284M4-SW12BB	280/250-4	4	Tube-Type	Sawtooth	White	2-1/8" Cntrd	1/2" BB	260	3.8
284M4-SW34B	280/250-4	4	Tube-Type	Sawtooth	White	2-1/8" Cntrd	3/4" Bush	260	3.8
284M4-SW34BB	280/250-4	4	Tube-Type	Sawtooth	White	2-1/8" Cntrd	3/4" BB	260	3.8
284M4-SW58B	280/250-4	4	Tube-Type	Sawtooth	White	2-1/8" Cntrd	5/8" Bush	260	3.8
284M4-SW58BB	280/250-4	4	Tube-Type	Sawtooth	White	2-1/8" Cntrd	5/8" BB	260	3.8
305M4-12B	340/300-5	4	Tube-Type	Sawtooth	White	2-1/4" Cntrd	1/2" Bush	380	5.3
305M4-12BB	340/300-5	4	Tube-Type	Sawtooth	White	2-1/4" Cntrd	1/2" BB	380	5.3
305M4-34B	340/300-5	4	Tube-Type	Sawtooth	White	2-1/4" Cntrd	3/4" Bush	380	5.3
305M4-34BB	340/300-5	4	Tube-Type	Sawtooth	White	2-1/4" Cntrd	3/4" BB	380	5.3
305M4-58B	340/300-5	4	Tube-Type	Sawtooth	White	2-1/4" Cntrd	5/8" Bush	380	5.3
305M4-58BB	340/300-5	4	Tube-Type	Sawtooth	White	2-1/4" Cntrd	5/8" BB	380	5.3
354M-ST-12B	410/350-4	2	Tube-Type	Stud	White	2-1/8" Cntrd	1/2" Bush	260	4.5
354M-ST-12BB	410/350-4	2	Tube-Type	Stud	White	2-1/8" Cntrd	1/2" BB	260	4.5
354M-ST-34B	410/350-4	2	Tube-Type	Stud	White	2-1/8" Cntrd	3/4" Bush	260	4.5

SLOW SPEED INDUSTRIAL WHEELS



2pc Bolt Together Wheel Assemblies Sawtooth & Stud Tires



Part Number	Size	Ply Rating	Type	Tire	Color	Hub Length	Bore Size & Type	Capacity	Shipping Weight
354M-ST-34BB	410/350-4	2	Tube-Type	Stud	White	2-1/8" Cntrd	3/4" BB	260	4.5
354M-ST-58B	410/350-4	2	Tube-Type	Stud	White	2-1/8" Cntrd	5/8" Bush	260	4.5
354M-ST-58BB	410/350-4	2	Tube-Type	Stud	White	2-1/8" Cntrd	5/8" BB	260	4.5
354M-SW-12B	410/350-4	2	Tube-Type	Sawtooth	White	2-1/8" Cntrd	1/2" Bush	260	4.5
354M-SW-12BB	410/350-4	2	Tube-Type	Sawtooth	White	2-1/8" Cntrd	1/2" BB	260	4.5
354M-SW-34B	410/350-4	2	Tube-Type	Sawtooth	White	2-1/8" Cntrd	3/4" Bush	260	4.5
354M-SW-34BB	410/350-4	2	Tube-Type	Sawtooth	White	2-1/8" Cntrd	3/4" BB	260	4.5
354M-SW-58B	410/350-4	2	Tube-Type	Sawtooth	White	2-1/8" Cntrd	5/8" Bush	260	4.5
354M-SW-58BB	410/350-4	2	Tube-Type	Sawtooth	White	2-1/8" Cntrd	5/8" BB	260	4.5
355M4-SW12BB	410/350-4	4	Tube-Type	Sawtooth	White	2-1/8" Cntrd	1/2" BB	390	5.0
355M4-SW34BB	410/350-4	4	Tube-Type	Sawtooth	White	2-1/8" Cntrd	3/4" BB	390	5.0
355M4-SW58BB	410/350-4	4	Tube-Type	Sawtooth	White	2-1/8" Cntrd	5/8" BB	390	5.0
355M-ST-12B	410/350-5	2	Tube-Type	Stud	White	2-1/4" Cntrd	1/2" Bush	285	5.0
355M-ST-12BB	410/350-5	2	Tube-Type	Stud	White	2-1/4" Cntrd	1/2" BB	285	5.0
355M-ST-34B	410/350-5	2	Tube-Type	Stud	White	2-1/4" Cntrd	3/4" Bush	285	5.0
355M-ST-34BB	410/350-5	2	Tube-Type	Stud	White	2-1/4" Cntrd	3/4" BB	285	5.0
355M-ST-58B	410/350-5	2	Tube-Type	Stud	White	2-1/4" Cntrd	5/8" Bush	285	5.0
355M-ST-58BB	410/350-5	2	Tube-Type	Stud	White	2-1/4" Cntrd	5/8" BB	285	5.0
355M-SW-12B	410/350-5	2	Tube-Type	Sawtooth	White	2-1/4" Cntrd	1/2" Bush	285	5.5
355M-SW-12BB	410/350-5	2	Tube-Type	Sawtooth	White	2-1/4" Cntrd	1/2" BB	285	5.5
355M-SW-34B	410/350-5	2	Tube-Type	Sawtooth	White	2-1/4" Cntrd	3/4" Bush	285	5.5
355M-SW-34BB	410/350-5	2	Tube-Type	Sawtooth	White	2-1/4" Cntrd	3/4" BB	285	5.5
355M-SW-58B	410/350-5	2	Tube-Type	Sawtooth	White	2-1/4" Cntrd	5/8" Bush	285	5.5
355M-SW-58BB	410/350-5	2	Tube-Type	Sawtooth	White	2-1/4" Cntrd	5/8" BB	285	5.5
355M4-SW12BB	410/350-5	4	Tube-Type	Sawtooth	White	2-1/4" Cntrd	1/2" BB	350	6.0
355M4-SW34BB	410/350-5	4	Tube-Type	Sawtooth	White	2-1/4" Cntrd	3/4" BB	350	6.0
355M4-SW58BB	410/350-5	4	Tube-Type	Sawtooth	White	2-1/4" Cntrd	5/8" BB	350	6.0
356M-ST-12B	410/350-6	2	Tube-Type	Stud	White	2-5/8" Cntrd	1/2" Bush	320	6.8
356M-ST-12BB	410/350-6	2	Tube-Type	Stud	White	2-5/8" Cntrd	1/2" BB	320	6.8
356M-ST-34B	410/350-6	2	Tube-Type	Stud	White	2-5/8" Cntrd	3/4" Bush	320	6.8
356M-ST-34BB	410/350-6	2	Tube-Type	Stud	White	2-5/8" Cntrd	3/4" BB	320	6.8
356M-ST-58B	410/350-6	2	Tube-Type	Stud	White	2-5/8" Cntrd	5/8" Bush	320	6.8
356M-ST-58BB	410/350-6	2	Tube-Type	Stud	White	2-5/8" Cntrd	5/8" BB	320	6.8
356M-SW-12B	410/350-6	2	Tube-Type	Sawtooth	White	2-5/8" Cntrd	1/2" Bush	320	6.8
356M-SW-12BB	410/350-6	2	Tube-Type	Sawtooth	White	2-5/8" Cntrd	1/2" BB	320	6.8

SLOW SPEED INDUSTRIAL WHEELS



2pc Bolt Together Wheel Assemblies Sawtooth & Stud Tires



Part Number	Size	Ply Rating	Type	Tire	Color	Hub Length	Bore Size & Type	Capacity	Shipping Weight
356M-SW-34B	410/350-6	2	Tube-Type	Sawtooth	White	2-5/8" Cntrd	3/4" Bush	320	6.8
356M-SW-34BB	410/350-6	2	Tube-Type	Sawtooth	White	2-5/8" Cntrd	3/4" BB	320	6.8
356M-SW-58B	410/350-6	2	Tube-Type	Sawtooth	White	2-5/8" Cntrd	5/8" Bush	320	6.8
356M4SW12BBI	410/350-6	4	Tube-Type	Sawtooth	White	2-5/8" Cntrd	1/2" BB	495	7.0
356M4SW34BBI	410/350-6	4	Tube-Type	Sawtooth	White	2-5/8" Cntrd	3/4" BB	495	7.0
356M4SW58BBI	410/350-6	4	Tube-Type	Sawtooth	White	2-5/8" Cntrd	5/8" BB	495	7.0
456M4-SW12B	530/450-6	4	Tube-Type	Sawtooth	White	2-5/8" Cntrd	1/2" Bush	635	9.3
456M4-SW12BB	530/450-6	4	Tube-Type	Sawtooth	White	2-5/8" Cntrd	1/2" BB	635	9.3
456M4-SW34B	530/450-6	4	Tube-Type	Sawtooth	White	2-5/8" Cntrd	3/4" Bush	635	9.3
456M4-SW34BB	530/450-6	4	Tube-Type	Sawtooth	White	2-5/8" Cntrd	3/4" BB	635	9.3
456M4-SW58B	530/450-6	4	Tube-Type	Sawtooth	White	2-5/8" Cntrd	5/8" Bush	635	9.3
456M4-SW58BB	530/450-6	4	Tube-Type	Sawtooth	White	2-5/8" Cntrd	5/8" BB	635	9.3
456M-U-12B	530/450-6	2	Tube-Type	Stud	White	2-5/8" Cntrd	1/2" Bush	450	8.8
456M-U-12BB	530/450-6	2	Tube-Type	Stud	White	2-5/8" Cntrd	1/2" BB	450	8.8
456M-U-34B	530/450-6	2	Tube-Type	Stud	White	2-5/8" Cntrd	3/4" Bush	450	8.8
456M-U-34BB	530/450-6	2	Tube-Type	Stud	White	2-5/8" Cntrd	3/4" BB	450	8.8
456M-U-58B	530/450-6	2	Tube-Type	Stud	White	2-5/8" Cntrd	5/8" Bush	450	8.8
456M-U-58BB	530/450-6	2	Tube-Type	Stud	White	2-5/8" Cntrd	5/8" BB	450	8.8

3pc Bolt Together "DB" Wheel Assemblies Sawtooth & Gray Sawtooth Tires



Part Number	Size	Ply Rating	Type	Tire	Color	Hub Length	Bore Size & Type	Capacity	Shipping Weight
2844SWG3352R	280/250-4	4	Tube-Type	Gray Sawt	White	3-1/2" Cntrd	5/8" OCRB	260	4.5
2844SWG3354R	280/250-4	4	Tube-Type	Gray Sawt	White	3-1/2" Cntrd	1" OCRB	260	4.5
2844SWG335-2	280/250-4	4	Tube-Type	Gray Sawt	White	3-1/2" Cntrd	5/8" BB	260	4.5
2844SWG335-3	280/250-4	4	Tube-Type	Gray Sawt	White	3-1/2" Cntrd	1/2" BB	260	4.5
284DB4-SW134	280/250-4	4	Tube-Type	Sawtooth	White	3-1/4" Cntrd	3/4" BB	260	4.5
284DB4-SW234	280/250-4	4	Tube-Type	Sawtooth	White	3-1/4" Cntrd	5/8" BB	260	4.5

SLOW SPEED INDUSTRIAL WHEELS



3pc Bolt Together "DB" Wheel Assemblies Sawtooth Tires



Part Number	Size	Ply Rating	Type	Tire	Color	Hub Length	Bore Size & Type	Capacity	Shipping Weight
284DB4-SW334	280/250-4	4	Tube-Type	Sawtooth	White	3-1/4" Cntrd	1/2" BB	260	4.5
284DB4-SW434	280/250-4	4	Tube-Type	Sawtooth	White	3-1/4" Cntrd	1" Bush	260	4.5
284DB4-SW21	280/250-4	4	Tube-Type	Sawtooth	White	2" Off	3/4" BB	260	4.5
284DB4-SW22	280/250-4	4	Tube-Type	Sawtooth	White	2" Off	5/8" BB	260	4.5
284DB4-SW23	280/250-4	4	Tube-Type	Sawtooth	White	2" Off	1/2" BB	260	4.5
284DB4-SW24	280/250-4	4	Tube-Type	Sawtooth	White	2" Off	1" Bush	260	4.5
284DB4-SW25	280/250-4	4	Tube-Type	Sawtooth	White	2" Off	3/4" Bush	260	4.5
284DB4-SW26	280/250-4	4	Tube-Type	Sawtooth	White	2" Off	5/8" Bush	260	4.5
284DB4-SW27	280/250-4	4	Tube-Type	Sawtooth	White	2" Off	1/2" Bush	260	4.5
284DB4-SW241	280/250-4	4	Tube-Type	Sawtooth	White	2-1/4" Off	3/4" BB	260	4.5
284DB4-SW242	280/250-4	4	Tube-Type	Sawtooth	White	2-1/4" Off	5/8" BB	260	4.5
284DB4-SW243	280/250-4	4	Tube-Type	Sawtooth	White	2-1/4" Off	1/2" BB	260	4.5
284DB4-SW244	280/250-4	4	Tube-Type	Sawtooth	White	2-1/4" Off	1" Bush	260	4.5
284DB4-SW245	280/250-4	4	Tube-Type	Sawtooth	White	2-1/4" Off	3/4" Bush	260	4.5
284DB4-SW246	280/250-4	4	Tube-Type	Sawtooth	White	2-1/4" Off	5/8" Bush	260	4.5
284DB4-SW247	280/250-4	4	Tube-Type	Sawtooth	White	2-1/4" Off	1/2" Bush	260	4.5
284DB4-SW251	280/250-4	4	Tube-Type	Sawtooth	White	2-1/2" Cntrd	3/4" BB	260	4.5
284DB4-SW252	280/250-4	4	Tube-Type	Sawtooth	White	2-1/2" Cntrd	5/8" BB	260	4.5
284DB4-SW253	280/250-4	4	Tube-Type	Sawtooth	White	2-1/2" Cntrd	1/2" BB	260	4.5
284DB4-SW254	280/250-4	4	Tube-Type	Sawtooth	White	2-1/2" Cntrd	1" Bush	260	4.5
284DB4-SW255	280/250-4	4	Tube-Type	Sawtooth	White	2-1/2" Cntrd	3/4" Bush	260	4.5
284DB4-SW256	280/250-4	4	Tube-Type	Sawtooth	White	2-1/2" Cntrd	5/8" Bush	260	4.5
284DB4-SW257	280/250-4	4	Tube-Type	Sawtooth	White	2-1/2" Cntrd	1/2" Bush	260	4.5
284DB4-SW31	280/250-4	4	Tube-Type	Sawtooth	White	3" Cntrd	3/4" BB	260	4.5
284DB4-SW32	280/250-4	4	Tube-Type	Sawtooth	White	3" Cntrd	5/8" BB	260	4.5
284DB4-SW33	280/250-4	4	Tube-Type	Sawtooth	White	3" Cntrd	1/2" BB	260	4.5
284DB4-SW34	280/250-4	4	Tube-Type	Sawtooth	White	3" Cntrd	1" Bush	260	4.5
284DB4-SW35	280/250-4	4	Tube-Type	Sawtooth	White	3" Cntrd	3/4" Bush	260	4.5
284DB4-SW36	280/250-4	4	Tube-Type	Sawtooth	White	3" Cntrd	5/8" Bush	260	4.5
284DB4-SW37	280/250-4	4	Tube-Type	Sawtooth	White	3" Cntrd	1/2" Bush	260	4.5

SLOW SPEED INDUSTRIAL WHEELS



3pc Bolt Together "DB" Wheel Assemblies Sawtooth Tires



Part Number	Size	Ply Rating	Type	Tire	Color	Hub Length	Bore Size & Type	Capacity	Shipping Weight
284DB4-SW341	280/250-4	4	Tube-Type	Sawtooth	White	3-1/4" Off	3/4" BB	260	4.5
284DB4-SW342	280/250-4	4	Tube-Type	Sawtooth	White	3-1/4" Off	5/8" BB	260	4.5
284DB4-SW343	280/250-4	4	Tube-Type	Sawtooth	White	3-1/4" Off	1/2" BB	260	4.5
284DB4-SW344	280/250-4	4	Tube-Type	Sawtooth	White	3-1/4" Off	1" Bush	260	4.5
284DB4-SW345	280/250-4	4	Tube-Type	Sawtooth	White	3-1/4" Off	3/4" Bush	260	4.5
284DB4-SW346	280/250-4	4	Tube-Type	Sawtooth	White	3-1/4" Off	5/8" Bush	260	4.5
284DB4-SW347	280/250-4	4	Tube-Type	Sawtooth	White	3-1/4" Off	1/2" Bush	260	4.5
284DB4-SW41	280/250-4	4	Tube-Type	Sawtooth	White	4" Cntrd	3/4" BB	260	4.5
284DB4-SW42	280/250-4	4	Tube-Type	Sawtooth	White	4" Cntrd	5/8" BB	260	4.5
284DB4-SW43	280/250-4	4	Tube-Type	Sawtooth	White	4" Cntrd	1/2" BB	260	4.5
284DB4-SW44	280/250-4	4	Tube-Type	Sawtooth	White	4" Cntrd	1" Bush	260	4.5
284DB4-SW45	280/250-4	4	Tube-Type	Sawtooth	White	4" Cntrd	3/4" Bush	260	4.5
284DB4-SW46	280/250-4	4	Tube-Type	Sawtooth	White	4" Cntrd	5/8" Bush	260	4.5
284DB4-SW47	280/250-4	4	Tube-Type	Sawtooth	White	4" Cntrd	1/2" Bush	260	4.5
305DB4-SW134	340/300-5	4	Tube-Type	Sawtooth	White	3-1/4" Cntrd	3/4" BB	380	6.3
305DB4-SW234	340/300-5	4	Tube-Type	Sawtooth	White	3-1/4" Cntrd	5/8" BB	380	6.3
305DB4-SW334	340/300-5	4	Tube-Type	Sawtooth	White	3-1/4" Cntrd	1/2" BB	380	6.3
305DB4-SW434	340/300-5	4	Tube-Type	Sawtooth	White	3-1/4" Cntrd	1" Bush	380	6.3
305DB4-SW21	340/300-5	4	Tube-Type	Sawtooth	White	2" Off	3/4" BB	380	6.3
305DB4-SW22	340/300-5	4	Tube-Type	Sawtooth	White	2" Off	5/8" BB	380	6.3
305DB4-SW23	340/300-5	4	Tube-Type	Sawtooth	White	2" Off	1/2" BB	380	6.3
305DB4-SW24	340/300-5	4	Tube-Type	Sawtooth	White	2" Off	1" Bush	380	6.3
305DB4-SW25	340/300-5	4	Tube-Type	Sawtooth	White	2" Off	3/4" Bush	380	6.3
305DB4-SW26	340/300-5	4	Tube-Type	Sawtooth	White	2" Off	5/8" Bush	380	6.3
305DB4-SW27	340/300-5	4	Tube-Type	Sawtooth	White	2" Off	1/2" Bush	380	6.3
305DB4-SW241	340/300-5	4	Tube-Type	Sawtooth	White	2-1/4" Off	3/4" BB	380	6.3
305DB4-SW242	340/300-5	4	Tube-Type	Sawtooth	White	2-1/4" Off	5/8" BB	380	6.3
305DB4-SW243	340/300-5	4	Tube-Type	Sawtooth	White	2-1/4" Off	1/2" BB	380	6.3
305DB4-SW244	340/300-5	4	Tube-Type	Sawtooth	White	2-1/4" Off	1" Bush	380	6.3
305DB4-SW245	340/300-5	4	Tube-Type	Sawtooth	White	2-1/4" Off	3/4" Bush	380	6.3
305DB4-SW246	340/300-5	4	Tube-Type	Sawtooth	White	2-1/4" Off	5/8" Bush	380	6.3
305DB4-SW247	340/300-5	4	Tube-Type	Sawtooth	White	2-1/4" Off	1/2" Bush	380	6.3
305DB4-SW251	340/300-5	4	Tube-Type	Sawtooth	White	2-1/2" Cntrd	3/4" BB	380	6.3
305DB4-SW252	340/300-5	4	Tube-Type	Sawtooth	White	2-1/2" Cntrd	5/8" BB	380	6.3
305DB4-SW253	340/300-5	4	Tube-Type	Sawtooth	White	2-1/2" Cntrd	1/2" BB	380	6.3
305DB4-SW254	340/300-5	4	Tube-Type	Sawtooth	White	2-1/2" Cntrd	1" Bush	380	6.3
305DB4-SW255	340/300-5	4	Tube-Type	Sawtooth	White	2-1/2" Cntrd	3/4" Bush	380	6.3

SLOW SPEED INDUSTRIAL WHEELS



3pc Bolt Together "DB" Wheel Assemblies Sawtooth & Gray Sawtooth Tires



Part Number	Size	Ply Rating	Type	Tire	Color	Hub Length	Bore Size & Type	Capacity	Shipping Weight
305DB4-SW256	340/300-5	4	Tube-Type	Sawtooth	White	2-1/2" Cntrd	5/8" Bush	380	6.3
305DB4-SW257	340/300-5	4	Tube-Type	Sawtooth	White	2-1/2" Cntrd	1/2" Bush	380	6.3
305DB4-SW31	340/300-5	4	Tube-Type	Sawtooth	White	3" Cntrd	3/4" BB	380	6.3
305DB4-SW32	340/300-5	4	Tube-Type	Sawtooth	White	3" Cntrd	5/8" BB	380	6.3
305DB4-SW33	340/300-5	4	Tube-Type	Sawtooth	White	3" Cntrd	1/2" BB	380	6.3
305DB4-SW34	340/300-5	4	Tube-Type	Sawtooth	White	3" Cntrd	1" Bush	380	6.3
305DB4-SW35	340/300-5	4	Tube-Type	Sawtooth	White	3" Cntrd	3/4" Bush	380	6.3
305DB4-SW36	340/300-5	4	Tube-Type	Sawtooth	White	3" Cntrd	5/8" Bush	380	6.3
305DB4-SW37	340/300-5	4	Tube-Type	Sawtooth	White	3" Cntrd	1/2" Bush	380	6.3
305DB4-SW341	340/300-5	4	Tube-Type	Sawtooth	White	3-1/4" Off	3/4" BB	380	6.3
305DB4-SW342	340/300-5	4	Tube-Type	Sawtooth	White	3-1/4" Off	5/8" BB	380	6.3
305DB4-SW343	340/300-5	4	Tube-Type	Sawtooth	White	3-1/4" Off	1/2" BB	380	6.3
305DB4-SW344	340/300-5	4	Tube-Type	Sawtooth	White	3-1/4" Off	1" Bush	380	6.3
305DB4-SW345	340/300-5	4	Tube-Type	Sawtooth	White	3-1/4" Off	3/4" Bush	380	6.3
305DB4-SW346	340/300-5	4	Tube-Type	Sawtooth	White	3-1/4" Off	5/8" Bush	380	6.3
305DB4-SW347	340/300-5	4	Tube-Type	Sawtooth	White	3-1/4" Off	1/2" Bush	380	6.3
305DB4-SW41	340/300-5	4	Tube-Type	Sawtooth	White	4" Cntrd	3/4" BB	380	6.3
305DB4-SW42	340/300-5	4	Tube-Type	Sawtooth	White	4" Cntrd	5/8" BB	380	6.3
305DB4-SW43	340/300-5	4	Tube-Type	Sawtooth	White	4" Cntrd	1/2" BB	380	6.3
305DB4-SW44	340/300-5	4	Tube-Type	Sawtooth	White	4" Cntrd	1" Bush	380	6.3
305DB4-SW45	340/300-5	4	Tube-Type	Sawtooth	White	4" Cntrd	3/4" Bush	380	6.3
305DB4-SW46	340/300-5	4	Tube-Type	Sawtooth	White	4" Cntrd	5/8" Bush	380	6.3
305DB4-SW47	340/300-5	4	Tube-Type	Sawtooth	White	4" Cntrd	1/2" Bush	380	6.3
3544SWG3351R	410/350-4	4	Tube-Type	Gray Sawt	White	3-1/2" Cntrd	3/4" OCRB	350	5.5
3544SWG3352R	410/350-4	4	Tube-Type	Gray Sawt	White	3-1/2" Cntrd	5/8" OCRB	350	5.5
3544SWG3354R	410/350-4	4	Tube-Type	Gray Sawt	White	3-1/2" Cntrd	1" OCRB	350	5.5
3544SWG335-2	410/350-4	4	Tube-Type	Gray Sawt	White	3-1/2" Cntrd	5/8" BB	350	5.5
3544SWG335-3	410/350-4	4	Tube-Type	Gray Sawt	White	3-1/2" Cntrd	1/2" BB	350	5.5
354DB4GSW242	410/350-4	4	Tube-Type	Gray Sawt	White	2-1/4" Off	5/8" BB	350	5.5
354DB4SW1341	410/350-4	4	Tube-Type	Sawtooth	White	3-1/4" Cntrd	3/4" BB	350	5.8
354DB4SW2341	410/350-4	4	Tube-Type	Sawtooth	White	3-1/4" Cntrd	5/8" BB	350	5.8
354DB4SW3341	410/350-4	4	Tube-Type	Sawtooth	White	3-1/4" Cntrd	1/2" BB	350	5.8
354DB4SW4341	410/350-4	4	Tube-Type	Sawtooth	White	3-1/4" Cntrd	1" Bush	350	5.8

SLOW SPEED INDUSTRIAL WHEELS



3pc Bolt Together "DB" Wheel Assemblies Sawtooth & Stud Tires



Part Number	Size	Ply Rating	Type	Tire	Color	Hub Length	Bore Size & Type	Capacity	Shipping Weight
354DB4SW211	410/350-4	4	Tube-Type	Sawtooth	White	2" Off	3/4" BB	350	5.8
354DB4SW221	410/350-4	4	Tube-Type	Sawtooth	White	2" Off	5/8" BB	350	5.8
354DB4SW231	410/350-4	4	Tube-Type	Sawtooth	White	2" Off	1/2" BB	350	5.8
354DB4SW241	410/350-4	4	Tube-Type	Sawtooth	White	2" Off	1" Bush	350	5.8
354DB4SW2411	410/350-4	4	Tube-Type	Sawtooth	White	2-1/4" Off	3/4" BB	350	5.8
354DB4SW2421	410/350-4	4	Tube-Type	Sawtooth	White	2-1/4" Off	5/8" BB	350	5.8
354DB4SW2431	410/350-4	4	Tube-Type	Sawtooth	White	2-1/4" Off	1/2" BB	350	5.8
354DB4SW2441	410/350-4	4	Tube-Type	Sawtooth	White	2-1/4" Off	1" Bush	350	5.8
354DB4SW2511	410/350-4	4	Tube-Type	Sawtooth	White	2-1/2" Cntrd	3/4" BB	350	5.8
354DB4SW2521	410/350-4	4	Tube-Type	Sawtooth	White	2-1/2" Cntrd	5/8" BB	350	5.8
354DB4SW2531	410/350-4	4	Tube-Type	Sawtooth	White	2-1/2" Cntrd	1/2" BB	350	5.8
354DB4SW2541	410/350-4	4	Tube-Type	Sawtooth	White	2-1/2" Cntrd	1" Bush	350	5.8
354DB4SW311	410/350-4	4	Tube-Type	Sawtooth	White	3" Cntrd	3/4" BB	350	5.8
354DB4SW321	410/350-4	4	Tube-Type	Sawtooth	White	3" Cntrd	5/8" BB	350	5.8
354DB4SW331	410/350-4	4	Tube-Type	Sawtooth	White	3" Cntrd	1/2" BB	350	5.8
354DB4SW341	410/350-4	4	Tube-Type	Sawtooth	White	3" Cntrd	1" Bush	350	5.8
354DB4SW3411	410/350-4	4	Tube-Type	Sawtooth	White	3-1/4" Off	3/4" BB	350	5.8
354DB4SW3421	410/350-4	4	Tube-Type	Sawtooth	White	3-1/4" Off	5/8" BB	350	5.8
354DB4SW3431	410/350-4	4	Tube-Type	Sawtooth	White	3-1/4" Off	1/2" BB	350	5.8
354DB4SW3441	410/350-4	4	Tube-Type	Sawtooth	White	3-1/4" Off	1" Bush	350	5.8
354DB4SW411	410/350-4	4	Tube-Type	Sawtooth	White	4" Cntrd	3/4" BB	350	5.8
354DB4SW421	410/350-4	4	Tube-Type	Sawtooth	White	4" Cntrd	5/8" BB	350	5.8
354DB4SW431	410/350-4	4	Tube-Type	Sawtooth	White	4" Cntrd	1/2" BB	350	5.8
354DB4SW441	410/350-4	4	Tube-Type	Sawtooth	White	4" Cntrd	1" Bush	350	5.8
354DB-ST134	410/350-4	2	Tube-Type	Stud	White	3-1/4" Cntrd	3/4" BB	260	5.5
354DB-ST234	410/350-4	2	Tube-Type	Stud	White	3-1/4" Cntrd	5/8" BB	260	5.5
354DB-ST334	410/350-4	2	Tube-Type	Stud	White	3-1/4" Cntrd	1/2" BB	260	5.5
354DB-ST434	410/350-4	2	Tube-Type	Stud	White	3-1/4" Cntrd	1" Bush	260	5.5
354DB-ST21	410/350-4	2	Tube-Type	Stud	White	2" Off	3/4" BB	260	5.5
354DB-ST22	410/350-4	2	Tube-Type	Stud	White	2" Off	5/8" BB	260	5.5
354DB-ST23	410/350-4	2	Tube-Type	Stud	White	2" Off	1/2" BB	260	5.5
354DB-ST24	410/350-4	2	Tube-Type	Stud	White	2" Off	1" Bush	260	5.5
354DB-ST25	410/350-4	2	Tube-Type	Stud	White	2" Off	3/4" Bush	260	5.5
354DB-ST26	410/350-4	2	Tube-Type	Stud	White	2" Off	5/8" Bush	260	5.5
354DB-ST27	410/350-4	2	Tube-Type	Stud	White	2" Off	1/2" Bush	260	5.5

SLOW SPEED INDUSTRIAL WHEELS



3pc Bolt Together "DB" Wheel Assemblies Stud Tires



Part Number	Size	Ply Rating	Type	Tire	Color	Hub Length	Bore Size & Type	Capacity	Shipping Weight
354DB-ST241	410/350-4	2	Tube-Type	Stud	White	2-1/4" Off	3/4" BB	260	5.5
354DB-ST242	410/350-4	2	Tube-Type	Stud	White	2-1/4" Off	5/8" BB	260	5.5
354DB-ST243	410/350-4	2	Tube-Type	Stud	White	2-1/4" Off	1/2" BB	260	5.5
354DB-ST244	410/350-4	2	Tube-Type	Stud	White	2-1/4" Off	1" Bush	260	5.5
354DB-ST245	410/350-4	2	Tube-Type	Stud	White	2-1/4" Off	3/4" Bush	260	5.5
354DB-ST246	410/350-4	2	Tube-Type	Stud	White	2-1/4" Off	5/8" Bush	260	5.5
354DB-ST247	410/350-4	2	Tube-Type	Stud	White	2-1/4" Off	1/2" Bush	260	5.5
354DB-ST251	410/350-4	2	Tube-Type	Stud	White	2-1/2" Cntrd	3/4" BB	260	5.5
354DB-ST252	410/350-4	2	Tube-Type	Stud	White	2-1/2" Cntrd	5/8" BB	260	5.5
354DB-ST253	410/350-4	2	Tube-Type	Stud	White	2-1/2" Cntrd	1/2" BB	260	5.5
354DB-ST254	410/350-4	2	Tube-Type	Stud	White	2-1/2" Cntrd	1" Bush	260	5.5
354DB-ST255	410/350-4	2	Tube-Type	Stud	White	2-1/2" Cntrd	3/4" Bush	260	5.5
354DB-ST256	410/350-4	2	Tube-Type	Stud	White	2-1/2" Cntrd	5/8" Bush	260	5.5
354DB-ST257	410/350-4	2	Tube-Type	Stud	White	2-1/2" Cntrd	1/2" Bush	260	5.5
354DB-ST31	410/350-4	2	Tube-Type	Stud	White	3" Cntrd	3/4" BB	260	5.5
354DB-ST32	410/350-4	2	Tube-Type	Stud	White	3" Cntrd	5/8" BB	260	5.5
354DB-ST33	410/350-4	2	Tube-Type	Stud	White	3" Cntrd	1/2" BB	260	5.5
354DB-ST34	410/350-4	2	Tube-Type	Stud	White	3" Cntrd	1" Bush	260	5.5
354DB-ST35	410/350-4	2	Tube-Type	Stud	White	3" Cntrd	3/4" Bush	260	5.5
354DB-ST36	410/350-4	2	Tube-Type	Stud	White	3" Cntrd	5/8" Bush	260	5.5
354DB-ST37	410/350-4	2	Tube-Type	Stud	White	3" Cntrd	1/2" Bush	260	5.5
354DB-ST341	410/350-4	2	Tube-Type	Stud	White	3-1/4" Off	3/4" BB	260	5.5
354DB-ST342	410/350-4	2	Tube-Type	Stud	White	3-1/4" Off	5/8" BB	260	5.5
354DB-ST343	410/350-4	2	Tube-Type	Stud	White	3-1/4" Off	1/2" BB	260	5.5
354DB-ST344	410/350-4	2	Tube-Type	Stud	White	3-1/4" Off	1" Bush	260	5.5
354DB-ST345	410/350-4	2	Tube-Type	Stud	White	3-1/4" Off	3/4" Bush	260	5.5
354DB-ST346	410/350-4	2	Tube-Type	Stud	White	3-1/4" Off	5/8" Bush	260	5.5
354DB-ST347	410/350-4	2	Tube-Type	Stud	White	3-1/4" Off	1/2" Bush	260	5.5
354DB-ST41	410/350-4	2	Tube-Type	Stud	White	4" Cntrd	3/4" BB	260	5.5
354DB-ST42	410/350-4	2	Tube-Type	Stud	White	4" Cntrd	5/8" BB	260	5.5
354DB-ST43	410/350-4	2	Tube-Type	Stud	White	4" Cntrd	1/2" BB	260	5.5
354DB-ST44	410/350-4	2	Tube-Type	Stud	White	4" Cntrd	1" Bush	260	5.5
354DB-ST45	410/350-4	2	Tube-Type	Stud	White	4" Cntrd	3/4" Bush	260	5.5
354DB-ST46	410/350-4	2	Tube-Type	Stud	White	4" Cntrd	5/8" Bush	260	5.5
354DB-ST47	410/350-4	2	Tube-Type	Stud	White	4" Cntrd	1/2" Bush	260	5.5
354DB-SW	410/350-4	2	Tube-Type	Sawtooth	White	4 Hole x 2-13/16" Rim Only - No Hub		260	5.0

SLOW SPEED INDUSTRIAL WHEELS



3pc Bolt Together "DB" Wheel Assemblies Sawtooth Tires



Part Number	Size	Ply Rating	Type	Tire	Color	Hub Length	Bore Size & Type	Capacity	Shipping Weight
354DB-SW134	410/350-4	2	Tube-Type	Sawtooth	White	3-1/4" Cntrd	3/4" BB	260	5.5
354DB-SW234	410/350-4	2	Tube-Type	Sawtooth	White	3-1/4" Cntrd	5/8" BB	260	5.5
354DB-SW334	410/350-4	2	Tube-Type	Sawtooth	White	3-1/4" Cntrd	1/2" BB	260	5.5
354DB-SW434	410/350-4	2	Tube-Type	Sawtooth	White	3-1/4" Cntrd	1" Bush	260	5.5
354DB-SW21	410/350-4	2	Tube-Type	Sawtooth	White	2" Off	3/4" BB	260	5.5
354DB-SW22	410/350-4	2	Tube-Type	Sawtooth	White	2" Off	5/8" BB	260	5.5
354DB-SW23	410/350-4	2	Tube-Type	Sawtooth	White	2" Off	1/2" BB	260	5.5
354DB-SW24	410/350-4	2	Tube-Type	Sawtooth	White	2" Off	1" Bush	260	5.5
354DB-SW25	410/350-4	2	Tube-Type	Sawtooth	White	2" Off	3/4" Bush	260	5.5
354DB-SW26	410/350-4	2	Tube-Type	Sawtooth	White	2" Off	5/8" Bush	260	5.5
354DB-SW27	410/350-4	2	Tube-Type	Sawtooth	White	2" Off	1/2" Bush	260	5.5
354DB-SW241	410/350-4	2	Tube-Type	Sawtooth	White	2-1/4" Off	3/4" BB	260	5.5
354DB-SW242	410/350-4	2	Tube-Type	Sawtooth	White	2-1/4" Off	5/8" BB	260	5.5
354DB-SW243	410/350-4	2	Tube-Type	Sawtooth	White	2-1/4" Off	1/2" BB	260	5.5
354DB-SW244	410/350-4	2	Tube-Type	Sawtooth	White	2-1/4" Off	1" Bush	260	5.5
354DB-SW245	410/350-4	2	Tube-Type	Sawtooth	White	2-1/4" Off	3/4" Bush	260	5.5
354DB-SW246	410/350-4	2	Tube-Type	Sawtooth	White	2-1/4" Off	5/8" Bush	260	5.5
354DB-SW247	410/350-4	2	Tube-Type	Sawtooth	White	2-1/4" Off	1/2" Bush	260	5.5
354DB-SW251	410/350-4	2	Tube-Type	Sawtooth	White	2-1/2" Cntrd	3/4" BB	260	5.5
354DB-SW252	410/350-4	2	Tube-Type	Sawtooth	White	2-1/2" Cntrd	5/8" BB	260	5.5
354DB-SW253	410/350-4	2	Tube-Type	Sawtooth	White	2-1/2" Cntrd	1/2" BB	260	5.5
354DB-SW254	410/350-4	2	Tube-Type	Sawtooth	White	2-1/2" Cntrd	1" Bush	260	5.5
354DB-SW255	410/350-4	2	Tube-Type	Sawtooth	White	2-1/2" Cntrd	3/4" Bush	260	5.5
354DB-SW256	410/350-4	2	Tube-Type	Sawtooth	White	2-1/2" Cntrd	5/8" Bush	260	5.5
354DB-SW257	410/350-4	2	Tube-Type	Sawtooth	White	2-1/2" Cntrd	1/2" Bush	260	5.5
354DB-SW31	410/350-4	2	Tube-Type	Sawtooth	White	3" Cntrd	3/4" BB	260	5.5
354DB-SW32	410/350-4	2	Tube-Type	Sawtooth	White	3" Cntrd	5/8" BB	260	5.5
354DB-SW33	410/350-4	2	Tube-Type	Sawtooth	White	3" Cntrd	1/2" BB	260	5.5
354DB-SW34	410/350-4	2	Tube-Type	Sawtooth	White	3" Cntrd	1" Bush	260	5.5
354DB-SW35	410/350-4	2	Tube-Type	Sawtooth	White	3" Cntrd	3/4" Bush	260	5.5
354DB-SW36	410/350-4	2	Tube-Type	Sawtooth	White	3" Cntrd	5/8" Bush	260	5.5
354DB-SW37	410/350-4	2	Tube-Type	Sawtooth	White	3" Cntrd	1/2" Bush	260	5.5
354DB-SW341	410/350-4	2	Tube-Type	Sawtooth	White	3-1/4" Off	3/4" BB	260	5.5
354DB-SW342	410/350-4	2	Tube-Type	Sawtooth	White	3-1/4" Off	5/8" BB	260	5.5
354DB-SW343	410/350-4	2	Tube-Type	Sawtooth	White	3-1/4" Off	1/2" BB	260	5.5
354DB-SW344	410/350-4	2	Tube-Type	Sawtooth	White	3-1/4" Off	1" Bush	260	5.5

SLOW SPEED INDUSTRIAL WHEELS



3pc Bolt Together "DB" Wheel Assemblies Sawtooth Tires



Part Number	Size	Ply Rating	Type	Tire	Color	Hub Length	Bore Size & Type	Capacity	Shipping Weight
354DB-SW345	410/350-4	2	Tube-Type	Sawtooth	White	3-1/4" Off	3/4" Bush	260	5.5
354DB-SW346	410/350-4	2	Tube-Type	Sawtooth	White	3-1/4" Off	5/8" Bush	260	5.5
354DB-SW347	410/350-4	2	Tube-Type	Sawtooth	White	3-1/4" Off	1/2" Bush	260	5.5
354DB-SW41	410/350-4	2	Tube-Type	Sawtooth	White	4" Cntrd	3/4" BB	260	5.5
354DB-SW42	410/350-4	2	Tube-Type	Sawtooth	White	4" Cntrd	5/8" BB	260	5.5
354DB-SW43	410/350-4	2	Tube-Type	Sawtooth	White	4" Cntrd	1/2" BB	260	5.5
354DB-SW44	410/350-4	2	Tube-Type	Sawtooth	White	4" Cntrd	1" Bush	260	5.5
354DB-SW45	410/350-4	2	Tube-Type	Sawtooth	White	4" Cntrd	3/4" Bush	260	5.5
354DB-SW46	410/350-4	2	Tube-Type	Sawtooth	White	4" Cntrd	5/8" Bush	260	5.5
354DB-SW47	410/350-4	2	Tube-Type	Sawtooth	White	4" Cntrd	1/2" Bush	260	5.5
355DB4-SW134	410/350-5	4	Tube-Type	Sawtooth	White	3-1/4" Cntrd	3/4" BB	350	6.8
355DB4-SW234	410/350-5	4	Tube-Type	Sawtooth	White	3-1/4" Cntrd	5/8" BB	350	6.8
355DB4-SW334	410/350-5	4	Tube-Type	Sawtooth	White	3-1/4" Cntrd	1/2" BB	350	6.8
355DB4-SW434	410/350-5	4	Tube-Type	Sawtooth	White	3-1/4" Cntrd	1" Bush	350	6.8
355DB4-SW21	410/350-5	4	Tube-Type	Sawtooth	White	2" Off	3/4" BB	350	6.8
355DB4-SW22	410/350-5	4	Tube-Type	Sawtooth	White	2" Off	5/8" BB	350	6.8
355DB4-SW23	410/350-5	4	Tube-Type	Sawtooth	White	2" Off	1/2" BB	350	6.8
355DB4-SW24	410/350-5	4	Tube-Type	Sawtooth	White	2" Off	1" Bush	350	6.8
355DB4-SW25	410/350-5	4	Tube-Type	Sawtooth	White	2" Off	3/4" Bush	350	6.8
355DB4-SW26	410/350-5	4	Tube-Type	Sawtooth	White	2" Off	5/8" Bush	350	6.8
355DB4-SW27	410/350-5	4	Tube-Type	Sawtooth	White	2" Off	1/2" Bush	350	6.8
355DB4-SW241	410/350-5	4	Tube-Type	Sawtooth	White	2-1/4" Off	3/4" BB	350	6.8
355DB4-SW242	410/350-5	4	Tube-Type	Sawtooth	White	2-1/4" Off	5/8" BB	350	6.8
355DB4-SW243	410/350-5	4	Tube-Type	Sawtooth	White	2-1/4" Off	1/2" BB	350	6.8
355DB4-SW244	410/350-5	4	Tube-Type	Sawtooth	White	2-1/4" Off	1" Bush	350	6.8
355DB4-SW245	410/350-5	4	Tube-Type	Sawtooth	White	2-1/4" Off	3/4" Bush	350	6.8
355DB4-SW246	410/350-5	4	Tube-Type	Sawtooth	White	2-1/4" Off	5/8" Bush	350	6.8
355DB4-SW247	410/350-5	4	Tube-Type	Sawtooth	White	2-1/4" Off	1/2" Bush	350	6.8
355DB4-SW251	410/350-5	4	Tube-Type	Sawtooth	White	2-1/2" Cntrd	3/4" BB	350	6.8
355DB4-SW252	410/350-5	4	Tube-Type	Sawtooth	White	2-1/2" Cntrd	5/8" BB	350	6.8
355DB4-SW253	410/350-5	4	Tube-Type	Sawtooth	White	2-1/2" Cntrd	1/2" BB	350	6.8
355DB4-SW254	410/350-5	4	Tube-Type	Sawtooth	White	2-1/2" Cntrd	1" Bush	350	6.8
355DB4-SW255	410/350-5	4	Tube-Type	Sawtooth	White	2-1/2" Cntrd	3/4" Bush	350	6.8
355DB4-SW256	410/350-5	4	Tube-Type	Sawtooth	White	2-1/2" Cntrd	5/8" Bush	350	6.8
355DB4-SW257	410/350-5	4	Tube-Type	Sawtooth	White	2-1/2" Cntrd	1/2" Bush	350	6.8
355DB4-SW31	410/350-5	4	Tube-Type	Sawtooth	White	3" Cntrd	3/4" BB	350	6.8

SLOW SPEED INDUSTRIAL WHEELS



3pc Bolt Together "DB" Wheel Assemblies Sawtooth & Stud Tires



Part Number	Size	Ply Rating	Type	Tire	Color	Hub Length	Bore Size & Type	Capacity	Shipping Weight
355DB4-SW32	410/350-5	4	Tube-Type	Sawtooth	White	3" Cntrd	5/8" BB	350	6.8
355DB4-SW33	410/350-5	4	Tube-Type	Sawtooth	White	3" Cntrd	1/2" BB	350	6.8
355DB4-SW34	410/350-5	4	Tube-Type	Sawtooth	White	3" Cntrd	1" Bush	350	6.8
355DB4-SW35	410/350-5	4	Tube-Type	Sawtooth	White	3" Cntrd	3/4" Bush	350	6.8
355DB4-SW36	410/350-5	4	Tube-Type	Sawtooth	White	3" Cntrd	5/8" Bush	350	6.8
355DB4-SW37	410/350-5	4	Tube-Type	Sawtooth	White	3" Cntrd	1/2" Bush	350	6.8
355DB4-SW341	410/350-5	4	Tube-Type	Sawtooth	White	3-1/4" Off	3/4" BB	350	6.8
355DB4-SW342	410/350-5	4	Tube-Type	Sawtooth	White	3-1/4" Off	5/8" BB	350	6.8
355DB4-SW343	410/350-5	4	Tube-Type	Sawtooth	White	3-1/4" Off	1/2" BB	350	6.8
355DB4-SW344	410/350-5	4	Tube-Type	Sawtooth	White	3-1/4" Off	1" Bush	350	6.8
355DB4-SW345	410/350-5	4	Tube-Type	Sawtooth	White	3-1/4" Off	3/4" Bush	350	6.8
355DB4-SW346	410/350-5	4	Tube-Type	Sawtooth	White	3-1/4" Off	5/8" Bush	350	6.8
355DB4-SW347	410/350-5	4	Tube-Type	Sawtooth	White	3-1/4" Off	1/2" Bush	350	6.8
355DB4-SW41	410/350-5	4	Tube-Type	Sawtooth	White	4" Cntrd	3/4" BB	350	6.8
355DB4-SW42	410/350-5	4	Tube-Type	Sawtooth	White	4" Cntrd	5/8" BB	350	6.8
355DB4-SW43	410/350-5	4	Tube-Type	Sawtooth	White	4" Cntrd	1/2" BB	350	6.8
355DB4-SW44	410/350-5	4	Tube-Type	Sawtooth	White	4" Cntrd	1" Bush	350	6.8
355DB4-SW45	410/350-5	4	Tube-Type	Sawtooth	White	4" Cntrd	3/4" Bush	350	6.8
355DB4-SW46	410/350-5	4	Tube-Type	Sawtooth	White	4" Cntrd	5/8" Bush	350	6.8
355DB4-SW47	410/350-5	4	Tube-Type	Sawtooth	White	4" Cntrd	1/2" Bush	350	6.8
355DB-ST	410/350-5	2	Tube-Type	Stud	White	4 Hole x 2-13/16" Rim Only - No Hub		285	6.0
355DB-ST134	410/350-5	2	Tube-Type	Stud	White	3-1/4" Cntrd	3/4" BB	285	6.5
355DB-ST234	410/350-5	2	Tube-Type	Stud	White	3-1/4" Cntrd	5/8" BB	285	6.5
355DB-ST334	410/350-5	2	Tube-Type	Stud	White	3-1/4" Cntrd	1/2" BB	285	6.5
355DB-ST434	410/350-5	2	Tube-Type	Stud	White	3-1/4" Cntrd	1" Bush	285	6.5
355DB-ST21	410/350-5	2	Tube-Type	Stud	White	2" Off	3/4" BB	285	6.5
355DB-ST22	410/350-5	2	Tube-Type	Stud	White	2" Off	5/8" BB	285	6.5
355DB-ST23	410/350-5	2	Tube-Type	Stud	White	2" Off	1/2" BB	285	6.5
355DB-ST24	410/350-5	2	Tube-Type	Stud	White	2" Off	1" Bush	285	6.5
355DB-ST25	410/350-5	2	Tube-Type	Stud	White	2" Off	3/4" Bush	285	6.5
355DB-ST26	410/350-5	2	Tube-Type	Stud	White	2" Off	5/8" Bush	285	6.5
355DB-ST27	410/350-5	2	Tube-Type	Stud	White	2" Off	1/2" Bush	285	6.5
355DB-ST241	410/350-5	2	Tube-Type	Stud	White	2-1/4" Off	3/4" BB	285	6.5
355DB-ST242	410/350-5	2	Tube-Type	Stud	White	2-1/4" Off	5/8" BB	285	6.5

SLOW SPEED INDUSTRIAL WHEELS



3pc Bolt Together "DB" Wheel Assemblies Stud & Sawtooth Tires



Part Number	Size	Ply Rating	Type	Tire	Color	Hub Length	Bore Size & Type	Capacity	Shipping Weight
355DB-ST243	410/350-5	2	Tube-Type	Stud	White	2-1/4" Off	1/2" BB	285	6.5
355DB-ST244	410/350-5	2	Tube-Type	Stud	White	2-1/4" Off	1" Bush	285	6.5
355DB-ST245	410/350-5	2	Tube-Type	Stud	White	2-1/4" Off	3/4" Bush	285	6.5
355DB-ST246	410/350-5	2	Tube-Type	Stud	White	2-1/4" Off	5/8" Bush	285	6.5
355DB-ST247	410/350-5	2	Tube-Type	Stud	White	2-1/4" Off	1/2" Bush	285	6.5
355DB-ST251	410/350-5	2	Tube-Type	Stud	White	2-1/2" Cntrd	3/4" BB	285	6.5
355DB-ST252	410/350-5	2	Tube-Type	Stud	White	2-1/2" Cntrd	5/8" BB	285	6.5
355DB-ST253	410/350-5	2	Tube-Type	Stud	White	2-1/2" Cntrd	1/2" BB	285	6.5
355DB-ST254	410/350-5	2	Tube-Type	Stud	White	2-1/2" Cntrd	1" Bush	285	6.5
355DB-ST255	410/350-5	2	Tube-Type	Stud	White	2-1/2" Cntrd	3/4" Bush	285	6.5
355DB-ST256	410/350-5	2	Tube-Type	Stud	White	2-1/2" Cntrd	5/8" Bush	285	6.5
355DB-ST257	410/350-5	2	Tube-Type	Stud	White	2-1/2" Cntrd	1/2" Bush	285	6.5
355DB-ST31	410/350-5	2	Tube-Type	Stud	White	3" Cntrd	3/4" BB	285	6.5
355DB-ST32	410/350-5	2	Tube-Type	Stud	White	3" Cntrd	5/8" BB	285	6.5
355DB-ST33	410/350-5	2	Tube-Type	Stud	White	3" Cntrd	1/2" BB	285	6.5
355DB-ST34	410/350-5	2	Tube-Type	Stud	White	3" Cntrd	1" Bush	285	6.5
355DB-ST35	410/350-5	2	Tube-Type	Stud	White	3" Cntrd	3/4" Bush	285	6.5
355DB-ST36	410/350-5	2	Tube-Type	Stud	White	3" Cntrd	5/8" Bush	285	6.5
355DB-ST37	410/350-5	2	Tube-Type	Stud	White	3" Cntrd	1/2" Bush	285	6.5
355DB-ST341	410/350-5	2	Tube-Type	Stud	White	3-1/4" Off	3/4" BB	285	6.5
355DB-ST342	410/350-5	2	Tube-Type	Stud	White	3-1/4" Off	5/8" BB	285	6.5
355DB-ST343	410/350-5	2	Tube-Type	Stud	White	3-1/4" Off	1/2" BB	285	6.5
355DB-ST344	410/350-5	2	Tube-Type	Stud	White	3-1/4" Off	1" Bush	285	6.5
355DB-ST345	410/350-5	2	Tube-Type	Stud	White	3-1/4" Off	3/4" Bush	285	6.5
355DB-ST346	410/350-5	2	Tube-Type	Stud	White	3-1/4" Off	5/8" Bush	285	6.5
355DB-ST347	410/350-5	2	Tube-Type	Stud	White	3-1/4" Off	1/2" Bush	285	6.5
355DB-ST41	410/350-5	2	Tube-Type	Stud	White	4" Cntrd	3/4" BB	285	6.5
355DB-ST42	410/350-5	2	Tube-Type	Stud	White	4" Cntrd	5/8" BB	285	6.5
355DB-ST43	410/350-5	2	Tube-Type	Stud	White	4" Cntrd	1/2" BB	285	6.5
355DB-ST44	410/350-5	2	Tube-Type	Stud	White	4" Cntrd	1" Bush	285	6.5
355DB-ST45	410/350-5	2	Tube-Type	Stud	White	4" Cntrd	3/4" Bush	285	6.5
355DB-ST46	410/350-5	2	Tube-Type	Stud	White	4" Cntrd	5/8" Bush	285	6.5
355DB-ST47	410/350-5	2	Tube-Type	Stud	White	4" Cntrd	1/2" Bush	285	6.5
355DB-SW	410/350-5	2	Tube-Type	Sawtooth	White	4 Hole x 2-13/16" Rim Only - No Hub		286	6.0

SLOW SPEED INDUSTRIAL WHEELS



3pc Bolt Together "DB" Wheel Assemblies Sawtooth Tires



Part Number	Size	Ply Rating	Type	Tire	Color	Hub Length	Bore Size & Type	Capacity	Shipping Weight
355DB-SW134	410/350-5	2	Tube-Type	Sawtooth	White	3-1/4" Cntrd	3/4" BB	285	6.5
355DB-SW234	410/350-5	2	Tube-Type	Sawtooth	White	3-1/4" Cntrd	5/8" BB	285	6.5
355DB-SW334	410/350-5	2	Tube-Type	Sawtooth	White	3-1/4" Cntrd	1/2" BB	285	6.5
355DB-SW434	410/350-5	2	Tube-Type	Sawtooth	White	3-1/4" Cntrd	1" Bush	285	6.5
355DB-SW21	410/350-5	2	Tube-Type	Sawtooth	White	2" Off	3/4" BB	285	6.5
355DB-SW22	410/350-5	2	Tube-Type	Sawtooth	White	2" Off	5/8" BB	285	6.5
355DB-SW23	410/350-5	2	Tube-Type	Sawtooth	White	2" Off	1/2" BB	285	6.5
355DB-SW24	410/350-5	2	Tube-Type	Sawtooth	White	2" Off	1" Bush	285	6.5
355DB-SW25	410/350-5	2	Tube-Type	Sawtooth	White	2" Off	3/4" Bush	285	6.5
355DB-SW26	410/350-5	2	Tube-Type	Sawtooth	White	2" Off	5/8" Bush	285	6.5
355DB-SW27	410/350-5	2	Tube-Type	Sawtooth	White	2" Off	1/2" Bush	285	6.5
355DB-SW243	410/350-5	2	Tube-Type	Sawtooth	White	2-1/4" Off	1/2" BB	285	6.5
355DB-SW244	410/350-5	2	Tube-Type	Sawtooth	White	2-1/4" Off	1" Bush	285	6.5
355DB-SW245	410/350-5	2	Tube-Type	Sawtooth	White	2-1/4" Off	3/4" Bush	285	6.5
355DB-SW246	410/350-5	2	Tube-Type	Sawtooth	White	2-1/4" Off	5/8" Bush	285	6.5
355DB-SW247	410/350-5	2	Tube-Type	Sawtooth	White	2-1/4" Off	1/2" Bush	285	6.5
355DB-SW251	410/350-5	2	Tube-Type	Sawtooth	White	2-1/2" Cntrd	3/4" BB	285	6.5
355DB-SW252	410/350-5	2	Tube-Type	Sawtooth	White	2-1/2" Cntrd	5/8" BB	285	6.5
355DB-SW253	410/350-5	2	Tube-Type	Sawtooth	White	2-1/2" Cntrd	1/2" BB	285	6.5
355DB-SW254	410/350-5	2	Tube-Type	Sawtooth	White	2-1/2" Cntrd	1" Bush	285	6.5
355DB-SW255	410/350-5	2	Tube-Type	Sawtooth	White	2-1/2" Cntrd	3/4" Bush	285	6.5
355DB-SW256	410/350-5	2	Tube-Type	Sawtooth	White	2-1/2" Cntrd	5/8" Bush	285	6.5
355DB-SW257	410/350-5	2	Tube-Type	Sawtooth	White	2-1/2" Cntrd	1/2" Bush	285	6.5
355DB-SW31	410/350-5	2	Tube-Type	Sawtooth	White	3" Cntrd	3/4" BB	285	6.5
355DB-SW32	410/350-5	2	Tube-Type	Sawtooth	White	3" Cntrd	5/8" BB	285	6.5
355DB-SW33	410/350-5	2	Tube-Type	Sawtooth	White	3" Cntrd	1/2" BB	285	6.5
355DB-SW34	410/350-5	2	Tube-Type	Sawtooth	White	3" Cntrd	1" Bush	285	6.5
355DB-SW35	410/350-5	2	Tube-Type	Sawtooth	White	3" Cntrd	3/4" Bush	285	6.5
355DB-SW36	410/350-5	2	Tube-Type	Sawtooth	White	3" Cntrd	5/8" Bush	285	6.5
355DB-SW37	410/350-5	2	Tube-Type	Sawtooth	White	3" Cntrd	1/2" Bush	285	6.5
355DB-SW341	410/350-5	2	Tube-Type	Sawtooth	White	3-1/4" Off	3/4" BB	285	6.5
355DB-SW342	410/350-5	2	Tube-Type	Sawtooth	White	3-1/4" Off	5/8" BB	285	6.5
355DB-SW343	410/350-5	2	Tube-Type	Sawtooth	White	3-1/4" Off	1/2" BB	285	6.5
355DB-SW344	410/350-5	2	Tube-Type	Sawtooth	White	3-1/4" Off	1" Bush	285	6.5
355DB-SW345	410/350-5	2	Tube-Type	Sawtooth	White	3-1/4" Off	3/4" Bush	285	6.5
355DB-SW346	410/350-5	2	Tube-Type	Sawtooth	White	3-1/4" Off	5/8" Bush	285	6.5
355DB-SW347	410/350-5	2	Tube-Type	Sawtooth	White	3-1/4" Off	1/2" Bush	285	6.5

SLOW SPEED INDUSTRIAL WHEELS



3pc Bolt Together "DB" Wheel Assemblies Sawtooth & Gray Sawtooth Tires



Part Number	Size	Ply Rating	Type	Tire	Color	Hub Length	Bore Size & Type	Capacity	Shipping Weight
355DB-SW41	410/350-5	2	Tube-Type	Sawtooth	White	4" Cntrd	3/4" BB	285	6.5
355DB-SW42	410/350-5	2	Tube-Type	Sawtooth	White	4" Cntrd	5/8" BB	285	6.5
355DB-SW43	410/350-5	2	Tube-Type	Sawtooth	White	4" Cntrd	1/2" BB	285	6.5
355DB-SW44	410/350-5	2	Tube-Type	Sawtooth	White	4" Cntrd	1" Bush	285	6.5
355DB-SW45	410/350-5	2	Tube-Type	Sawtooth	White	4" Cntrd	3/4" Bush	285	6.5
355DB-SW46	410/350-5	2	Tube-Type	Sawtooth	White	4" Cntrd	5/8" Bush	285	6.5
355DB-SW47	410/350-5	2	Tube-Type	Sawtooth	White	4" Cntrd	1/2" Bush	285	6.5
356DB4SW134I	410/350-6	4	Tube-Type	Sawtooth	White	3-1/4" Cntrd	3/4" BB	495	8.0
356DB4SW234I	410/350-6	4	Tube-Type	Sawtooth	White	3-1/4" Cntrd	5/8" BB	495	8.0
356DB4SW334I	410/350-6	4	Tube-Type	Sawtooth	White	3-1/4" Cntrd	1/2" BB	495	8.0
356DB4SW434I	410/350-6	4	Tube-Type	Sawtooth	White	3-1/4" Cntrd	1" Bush	495	8.0
356DB4SW21I	410/350-6	4	Tube-Type	Sawtooth	White	2" Off	3/4" BB	495	8.0
356DB4SW22I	410/350-6	4	Tube-Type	Sawtooth	White	2" Off	5/8" BB	495	8.0
356DB4SW23I	410/350-6	4	Tube-Type	Sawtooth	White	2" Off	1/2" BB	495	8.0
356DB4SW24I	410/350-6	4	Tube-Type	Sawtooth	White	2" Off	1" Bush	495	8.0
356DB4SW241I	410/350-6	4	Tube-Type	Sawtooth	White	2-1/4" Off	3/4" BB	495	8.0
356DB4SW242I	410/350-6	4	Tube-Type	Sawtooth	White	2-1/4" Off	5/8" BB	495	8.0
356DB4SW243I	410/350-6	4	Tube-Type	Sawtooth	White	2-1/4" Off	1/2" BB	495	8.0
356DB4SW244I	410/350-6	4	Tube-Type	Sawtooth	White	2-1/4" Off	1" Bush	495	8.0
356DB4SW251I	410/350-6	4	Tube-Type	Sawtooth	White	2-1/2" Cntrd	3/4" BB	495	8.0
356DB4SW252I	410/350-6	4	Tube-Type	Sawtooth	White	2-1/2" Cntrd	5/8" BB	495	8.0
356DB4SW253I	410/350-6	4	Tube-Type	Sawtooth	White	2-1/2" Cntrd	1/2" BB	495	8.0
356DB4SW254I	410/350-6	4	Tube-Type	Sawtooth	White	2-1/2" Cntrd	1" Bush	495	8.0
356DB4SW31I	410/350-6	4	Tube-Type	Sawtooth	White	3" Cntrd	3/4" BB	495	8.0
356DB4SW32I	410/350-6	4	Tube-Type	Sawtooth	White	3" Cntrd	5/8" BB	495	8.0
356DB4SW33I	410/350-6	4	Tube-Type	Sawtooth	White	3" Cntrd	1/2" BB	495	8.0
356DB4SW34I	410/350-6	4	Tube-Type	Sawtooth	White	3" Cntrd	1" Bush	495	8.0
356DB4SW341I	410/350-6	4	Tube-Type	Sawtooth	White	3-1/4" Off	3/4" BB	495	8.0
356DB4SW342I	410/350-6	4	Tube-Type	Sawtooth	White	3-1/4" Off	5/8" BB	495	8.0
356DB4SW343I	410/350-6	4	Tube-Type	Sawtooth	White	3-1/4" Off	1/2" BB	495	8.0
356DB4SW344I	410/350-6	4	Tube-Type	Sawtooth	White	3-1/4" Off	1" Bush	495	8.0

SLOW SPEED INDUSTRIAL WHEELS



3pc Bolt Together "DB" Wheel Assemblies Stud & Sawtooth Tires



Part Number	Size	Ply Rating	Type	Tire	Color	Hub Length	Bore Size & Type	Capacity	Shipping Weight
356DB4SW41I	410/350-6	4	Tube-Type	Sawtooth	White	4" Cntrd	3/4" BB	495	8.0
356DB4SW42I	410/350-6	4	Tube-Type	Sawtooth	White	4" Cntrd	5/8" BB	495	8.0
356DB4SW43I	410/350-6	4	Tube-Type	Sawtooth	White	4" Cntrd	1/2" BB	495	8.0
356DB4SW44I	410/350-6	4	Tube-Type	Sawtooth	White	4" Cntrd	1" Bush	495	8.0
356DB4SWG41I	410/350-6	4	Tube-Type	Gray Sawt	White	4" Cntrd	3/4" BB	495	8.0
356DB4SWG42I	410/350-6	4	Tube-Type	Gray Sawt	White	4" Cntrd	5/8" BB	495	8.0
356DB-ST	410/350-6	2	Tube-Type	Stud	White	4 Hole x 2-13/16" Rim Only - No Hub		320	7.8
356DB-ST134	410/350-6	2	Tube-Type	Stud	White	3-1/4" Cntrd	3/4" BB	320	7.8
356DB-ST234	410/350-6	2	Tube-Type	Stud	White	3-1/4" Cntrd	5/8" BB	320	7.8
356DB-ST334	410/350-6	2	Tube-Type	Stud	White	3-1/4" Cntrd	1/2" BB	320	7.8
356DB-ST434	410/350-6	2	Tube-Type	Stud	White	3-1/4" Cntrd	1" Bush	320	7.8
356DB-ST21	410/350-6	2	Tube-Type	Stud	White	2" Off	3/4" BB	320	7.8
356DB-ST22	410/350-6	2	Tube-Type	Stud	White	2" Off	5/8" BB	320	7.8
356DB-ST23	410/350-6	2	Tube-Type	Stud	White	2" Off	1/2" BB	320	7.8
356DB-ST24	410/350-6	2	Tube-Type	Stud	White	2" Off	1" Bush	320	7.8
356DB-ST25	410/350-6	2	Tube-Type	Stud	White	2" Off	3/4" Bush	320	7.8
356DB-ST26	410/350-6	2	Tube-Type	Stud	White	2" Off	5/8" Bush	320	7.8
356DB-ST27	410/350-6	2	Tube-Type	Stud	White	2" Off	1/2" Bush	320	7.8
356DB-ST241	410/350-6	2	Tube-Type	Stud	White	2-1/4" Off	3/4" BB	320	7.8
356DB-ST242	410/350-6	2	Tube-Type	Stud	White	2-1/4" Off	5/8" BB	320	7.8
356DB-ST243	410/350-6	2	Tube-Type	Stud	White	2-1/4" Off	1/2" BB	320	7.8
356DB-ST244	410/350-6	2	Tube-Type	Stud	White	2-1/4" Off	1" Bush	320	7.8
356DB-ST245	410/350-6	2	Tube-Type	Stud	White	2-1/4" Off	3/4" Bush	320	7.8
356DB-ST246	410/350-6	2	Tube-Type	Stud	White	2-1/4" Off	5/8" Bush	320	7.8
356DB-ST247	410/350-6	2	Tube-Type	Stud	White	2-1/4" Off	1/2" Bush	320	7.8
356DB-ST251	410/350-6	2	Tube-Type	Stud	White	2-1/2" Cntrd	3/4" BB	320	7.8
356DB-ST252	410/350-6	2	Tube-Type	Stud	White	2-1/2" Cntrd	5/8" BB	320	7.8
356DB-ST253	410/350-6	2	Tube-Type	Stud	White	2-1/2" Cntrd	1/2" BB	320	7.8
356DB-ST254	410/350-6	2	Tube-Type	Stud	White	2-1/2" Cntrd	1" Bush	320	7.8
356DB-ST255	410/350-6	2	Tube-Type	Stud	White	2-1/2" Cntrd	3/4" Bush	320	7.8
356DB-ST256	410/350-6	2	Tube-Type	Stud	White	2-1/2" Cntrd	5/8" Bush	320	7.8
356DB-ST257	410/350-6	2	Tube-Type	Stud	White	2-1/2" Cntrd	1/2" Bush	320	7.8

SLOW SPEED INDUSTRIAL WHEELS



3pc Bolt Together "DB" Wheel Assemblies Sawtooth & Stud Tires



Part Number	Size	Ply Rating	Type	Tire	Color	Hub Length	Bore Size & Type	Capacity	Shipping Weight
356DB-ST31	410/350-6	2	Tube-Type	Stud	White	3" Cntrd	3/4" BB	320	7.8
356DB-ST32	410/350-6	2	Tube-Type	Stud	White	3" Cntrd	5/8" BB	320	7.8
356DB-ST33	410/350-6	2	Tube-Type	Stud	White	3" Cntrd	1/2" BB	320	7.8
356DB-ST34	410/350-6	2	Tube-Type	Stud	White	3" Cntrd	1" Bush	320	7.8
356DB-ST35	410/350-6	2	Tube-Type	Stud	White	3" Cntrd	3/4" Bush	320	7.8
356DB-ST36	410/350-6	2	Tube-Type	Stud	White	3" Cntrd	5/8" Bush	320	7.8
356DB-ST37	410/350-6	2	Tube-Type	Stud	White	3" Cntrd	1/2" Bush	320	7.8
356DB-ST341	410/350-6	2	Tube-Type	Stud	White	3-1/4" Off	3/4" BB	320	7.8
356DB-ST342	410/350-6	2	Tube-Type	Stud	White	3-1/4" Off	5/8" BB	320	7.8
356DB-ST343	410/350-6	2	Tube-Type	Stud	White	3-1/4" Off	1/2" BB	320	7.8
356DB-ST344	410/350-6	2	Tube-Type	Stud	White	3-1/4" Off	1" Bush	320	7.8
356DB-ST345	410/350-6	2	Tube-Type	Stud	White	3-1/4" Off	3/4" Bush	320	7.8
356DB-ST346	410/350-6	2	Tube-Type	Stud	White	3-1/4" Off	5/8" Bush	320	7.8
356DB-ST347	410/350-6	2	Tube-Type	Stud	White	3-1/4" Off	1/2" Bush	320	7.8
356DB-ST41	410/350-6	2	Tube-Type	Stud	White	4" Cntrd	3/4" BB	320	7.8
356DB-ST42	410/350-6	2	Tube-Type	Stud	White	4" Cntrd	5/8" BB	320	7.8
356DB-ST43	410/350-6	2	Tube-Type	Stud	White	4" Cntrd	1/2" BB	320	7.8
356DB-ST44	410/350-6	2	Tube-Type	Stud	White	4" Cntrd	1" Bush	320	7.8
356DB-ST45	410/350-6	2	Tube-Type	Stud	White	4" Cntrd	3/4" Bush	320	7.8
356DB-ST46	410/350-6	2	Tube-Type	Stud	White	4" Cntrd	5/8" Bush	320	7.8
356DB-ST47	410/350-6	2	Tube-Type	Stud	White	4" Cntrd	1/2" Bush	320	7.8
356DB-SW	410/350-6	2	Tube-Type	Sawtooth	White	4 Hole x 2-13/16" Rim Only - No Hub		320	7.3
356DB-SW134	410/350-6	2	Tube-Type	Sawtooth	White	3-1/4" Cntrd	3/4" BB	320	7.8
356DB-SW234	410/350-6	2	Tube-Type	Sawtooth	White	3-1/4" Cntrd	5/8" BB	320	7.8
356DB-SW334	410/350-6	2	Tube-Type	Sawtooth	White	3-1/4" Cntrd	1/2" BB	320	7.8
356DB-SW434	410/350-6	2	Tube-Type	Sawtooth	White	3-1/4" Cntrd	1" Bush	320	7.8
356DB-SW21	410/350-6	2	Tube-Type	Sawtooth	White	2" Off	3/4" BB	320	7.8
356DB-SW22	410/350-6	2	Tube-Type	Sawtooth	White	2" Off	5/8" BB	320	7.8
356DB-SW23	410/350-6	2	Tube-Type	Sawtooth	White	2" Off	1/2" BB	320	7.8
356DB-SW24	410/350-6	2	Tube-Type	Sawtooth	White	2" Off	1" Bush	320	7.8
356DB-SW25	410/350-6	2	Tube-Type	Sawtooth	White	2" Off	3/4" Bush	320	7.8
356DB-SW26	410/350-6	2	Tube-Type	Sawtooth	White	2" Off	5/8" Bush	320	7.8
356DB-SW27	410/350-6	2	Tube-Type	Sawtooth	White	2" Off	1/2" Bush	320	7.8
356DB-SW241	410/350-6	2	Tube-Type	Sawtooth	White	2-1/4" Off	3/4" BB	320	7.8
356DB-SW242	410/350-6	2	Tube-Type	Sawtooth	White	2-1/4" Off	5/8" BB	320	7.8

SLOW SPEED INDUSTRIAL WHEELS



3pc Bolt Together "DB" Wheel Assemblies Sawtooth & Stud Tires



Part Number	Size	Ply Rating	Type	Tire	Color	Hub Length	Bore Size & Type	Capacity	Shipping Weight
356DB-SW243	410/350-6	2	Tube-Type	Sawtooth	White	2-1/4" Off	1/2" BB	320	7.8
356DB-SW244	410/350-6	2	Tube-Type	Sawtooth	White	2-1/4" Off	1" Bush	320	7.8
356DB-SW245	410/350-6	2	Tube-Type	Sawtooth	White	2-1/4" Off	3/4" Bush	320	7.8
356DB-SW246	410/350-6	2	Tube-Type	Sawtooth	White	2-1/4" Off	5/8" Bush	320	7.8
356DB-SW247	410/350-6	2	Tube-Type	Sawtooth	White	2-1/4" Off	1/2" Bush	320	7.8
356DB-SW251	410/350-6	2	Tube-Type	Sawtooth	White	2-1/2" Cntrd	3/4" BB	320	7.8
356DB-SW252	410/350-6	2	Tube-Type	Sawtooth	White	2-1/2" Cntrd	5/8" BB	320	7.8
356DB-SW253	410/350-6	2	Tube-Type	Sawtooth	White	2-1/2" Cntrd	1/2" BB	320	7.8
356DB-SW254	410/350-6	2	Tube-Type	Sawtooth	White	2-1/2" Cntrd	1" Bush	320	7.8
356DB-SW255	410/350-6	2	Tube-Type	Sawtooth	White	2-1/2" Cntrd	3/4" Bush	320	7.8
356DB-SW256	410/350-6	2	Tube-Type	Sawtooth	White	2-1/2" Cntrd	5/8" Bush	320	7.8
356DB-SW257	410/350-6	2	Tube-Type	Sawtooth	White	2-1/2" Cntrd	1/2" Bush	320	7.8
356DB-SW31	410/350-6	2	Tube-Type	Sawtooth	White	3" Cntrd	3/4" BB	320	7.8
356DB-SW32	410/350-6	2	Tube-Type	Sawtooth	White	3" Cntrd	5/8" BB	320	7.8
356DB-SW33	410/350-6	2	Tube-Type	Sawtooth	White	3" Cntrd	1/2" BB	320	7.8
356DB-SW34	410/350-6	2	Tube-Type	Sawtooth	White	3" Cntrd	1" Bush	320	7.8
356DB-SW35	410/350-6	2	Tube-Type	Sawtooth	White	3" Cntrd	3/4" Bush	320	7.8
356DB-SW36	410/350-6	2	Tube-Type	Sawtooth	White	3" Cntrd	5/8" Bush	320	7.8
356DB-SW37	410/350-6	2	Tube-Type	Sawtooth	White	3" Cntrd	1/2" Bush	320	7.8
356DB-SW341	410/350-6	2	Tube-Type	Sawtooth	White	3-1/4" Off	3/4" BB	320	7.8
356DB-SW342	410/350-6	2	Tube-Type	Sawtooth	White	3-1/4" Off	5/8" BB	320	7.8
356DB-SW343	410/350-6	2	Tube-Type	Sawtooth	White	3-1/4" Off	1/2" BB	320	7.8
356DB-SW344	410/350-6	2	Tube-Type	Sawtooth	White	3-1/4" Off	1" Bush	320	7.8
356DB-SW345	410/350-6	2	Tube-Type	Sawtooth	White	3-1/4" Off	3/4" Bush	320	7.8
356DB-SW346	410/350-6	2	Tube-Type	Sawtooth	White	3-1/4" Off	5/8" Bush	320	7.8
356DB-SW347	410/350-6	2	Tube-Type	Sawtooth	White	3-1/4" Off	1/2" Bush	320	7.8
356DB-SW41	410/350-6	2	Tube-Type	Sawtooth	White	4" Cntrd	3/4" BB	320	7.8
356DB-SW42	410/350-6	2	Tube-Type	Sawtooth	White	4" Cntrd	5/8" BB	320	7.8
356DB-SW43	410/350-6	2	Tube-Type	Sawtooth	White	4" Cntrd	1/2" BB	320	7.8
356DB-SW44	410/350-6	2	Tube-Type	Sawtooth	White	4" Cntrd	1" Bush	320	7.8
356DB-SW45	410/350-6	2	Tube-Type	Sawtooth	White	4" Cntrd	3/4" Bush	320	7.8
356DB-SW46	410/350-6	2	Tube-Type	Sawtooth	White	4" Cntrd	5/8" Bush	320	7.8
356DB-SW47	410/350-6	2	Tube-Type	Sawtooth	White	4" Cntrd	1/2" Bush	320	7.8
456DB-ST	530/450-6	2	Tube-Type	Stud	White	4 Hole x 2-13/16" Rim Only - No Hub		450	9.3

SLOW SPEED INDUSTRIAL WHEELS



3pc Bolt Together "DB" Wheel Assemblies Stud Tires



Part Number	Size	Ply Rating	Type	Tire	Color	Hub Length	Bore Size & Type	Capacity	Shipping Weight
456DB-ST134	530/450-6	2	Tube-Type	Stud	White	3-1/4" Cntrd	3/4" BB	450	9.8
456DB-ST234	530/450-6	2	Tube-Type	Stud	White	3-1/4" Cntrd	5/8" BB	450	9.8
456DB-ST334	530/450-6	2	Tube-Type	Stud	White	3-1/4" Cntrd	1/2" BB	450	9.8
456DB-ST434	530/450-6	2	Tube-Type	Stud	White	3-1/4" Cntrd	1" Bush	450	9.8
456DB-ST21	530/450-6	2	Tube-Type	Stud	White	2" Off	3/4" BB	450	9.8
456DB-ST22	530/450-6	2	Tube-Type	Stud	White	2" Off	5/8" BB	450	9.8
456DB-ST23	530/450-6	2	Tube-Type	Stud	White	2" Off	1/2" BB	450	9.8
456DB-ST24	530/450-6	2	Tube-Type	Stud	White	2" Off	1" Bush	450	9.8
456DB-ST25	530/450-6	2	Tube-Type	Stud	White	2" Off	3/4" Bush	450	9.8
456DB-ST26	530/450-6	2	Tube-Type	Stud	White	2" Off	5/8" Bush	450	9.8
456DB-ST27	530/450-6	2	Tube-Type	Stud	White	2" Off	1/2" Bush	450	9.8
456DB-ST241	530/450-6	2	Tube-Type	Stud	White	2-1/4" Off	3/4" BB	450	9.8
456DB-ST242	530/450-6	2	Tube-Type	Stud	White	2-1/4" Off	5/8" BB	450	9.8
456DB-ST243	530/450-6	2	Tube-Type	Stud	White	2-1/4" Off	1/2" BB	450	9.8
456DB-ST244	530/450-6	2	Tube-Type	Stud	White	2-1/4" Off	1" Bush	450	9.8
456DB-ST245	530/450-6	2	Tube-Type	Stud	White	2-1/4" Off	3/4" Bush	450	9.8
456DB-ST246	530/450-6	2	Tube-Type	Stud	White	2-1/4" Off	5/8" Bush	450	9.8
456DB-ST247	530/450-6	2	Tube-Type	Stud	White	2-1/4" Off	1/2" Bush	450	9.8
456DB-ST251	530/450-6	2	Tube-Type	Stud	White	2-1/2" Cntrd	3/4" BB	450	9.8
456DB-ST252	530/450-6	2	Tube-Type	Stud	White	2-1/2" Cntrd	5/8" BB	450	9.8
456DB-ST253	530/450-6	2	Tube-Type	Stud	White	2-1/2" Cntrd	1/2" BB	450	9.8
456DB-ST254	530/450-6	2	Tube-Type	Stud	White	2-1/2" Cntrd	1" Bush	450	9.8
456DB-ST255	530/450-6	2	Tube-Type	Stud	White	2-1/2" Cntrd	3/4" Bush	450	9.8
456DB-ST256	530/450-6	2	Tube-Type	Stud	White	2-1/2" Cntrd	5/8" Bush	450	9.8
456DB-ST257	530/450-6	2	Tube-Type	Stud	White	2-1/2" Cntrd	1/2" Bush	450	9.8
456DB-ST31	530/450-6	2	Tube-Type	Stud	White	3" Cntrd	3/4" BB	450	9.8
456DB-ST32	530/450-6	2	Tube-Type	Stud	White	3" Cntrd	5/8" BB	450	9.8
456DB-ST33	530/450-6	2	Tube-Type	Stud	White	3" Cntrd	1/2" BB	450	9.8
456DB-ST34	530/450-6	2	Tube-Type	Stud	White	3" Cntrd	1" Bush	450	9.8
456DB-ST35	530/450-6	2	Tube-Type	Stud	White	3" Cntrd	3/4" Bush	450	9.8
456DB-ST36	530/450-6	2	Tube-Type	Stud	White	3" Cntrd	5/8" Bush	450	9.8
456DB-ST37	530/450-6	2	Tube-Type	Stud	White	3" Cntrd	1/2" Bush	450	9.8
456DB-ST341	530/450-6	2	Tube-Type	Stud	White	3-1/4" Off	3/4" BB	450	9.8
456DB-ST342	530/450-6	2	Tube-Type	Stud	White	3-1/4" Off	5/8" BB	450	9.8
456DB-ST343	530/450-6	2	Tube-Type	Stud	White	3-1/4" Off	1/2" BB	450	9.8
456DB-ST344	530/450-6	2	Tube-Type	Stud	White	3-1/4" Off	1" Bush	450	9.8

SLOW SPEED INDUSTRIAL WHEELS



3pc Bolt Together "DB" Wheel Assemblies Stud & Sawtooth Tires



Part Number	Size	Ply Rating	Type	Tire	Color	Hub Length	Bore Size & Type	Capacity	Shipping Weight
456DB-ST345	530/450-6	2	Tube-Type	Stud	White	3-1/4" Off	3/4" Bush	450	9.8
456DB-ST346	530/450-6	2	Tube-Type	Stud	White	3-1/4" Off	5/8" Bush	450	9.8
456DB-ST347	530/450-6	2	Tube-Type	Stud	White	3-1/4" Off	1/2" Bush	450	9.8
456DB-ST41	530/450-6	2	Tube-Type	Stud	White	4" Cntrd	3/4" BB	450	9.8
456DB-ST42	530/450-6	2	Tube-Type	Stud	White	4" Cntrd	5/8" BB	450	9.8
456DB-ST43	530/450-6	2	Tube-Type	Stud	White	4" Cntrd	1/2" BB	450	9.8
456DB-ST44	530/450-6	2	Tube-Type	Stud	White	4" Cntrd	1" Bush	450	9.8
456DB-ST45	530/450-6	2	Tube-Type	Stud	White	4" Cntrd	3/4" Bush	450	9.8
456DB-ST46	530/450-6	2	Tube-Type	Stud	White	4" Cntrd	5/8" Bush	450	9.8
456DB-ST47	530/450-6	2	Tube-Type	Stud	White	4" Cntrd	1/2" Bush	450	9.8
456DB4SW134I	530/450-6	4	Tube-Type	Sawtooth	White	3-1/4" Cntrd	3/4" BB	635	10.3
456DB4SW234I	530/450-6	4	Tube-Type	Sawtooth	White	3-1/4" Cntrd	5/8" BB	635	10.3
456DB4SW334I	530/450-6	4	Tube-Type	Sawtooth	White	3-1/4" Cntrd	1/2" BB	635	10.3
456DB4SW434I	530/450-6	4	Tube-Type	Sawtooth	White	3-1/4" Cntrd	1" Bush	635	10.3
456DB4SW21I	530/450-6	4	Tube-Type	Sawtooth	White	2" Off	3/4" BB	635	10.3
456DB4SW22I	530/450-6	4	Tube-Type	Sawtooth	White	2" Off	5/8" BB	635	10.3
456DB4SW23I	530/450-6	4	Tube-Type	Sawtooth	White	2" Off	1/2" BB	635	10.3
456DB4SW24I	530/450-6	4	Tube-Type	Sawtooth	White	2" Off	1" Bush	635	10.3
456DB4SW241I	530/450-6	4	Tube-Type	Sawtooth	White	2-1/4" Off	3/4" BB	635	10.3
456DB4SW242I	530/450-6	4	Tube-Type	Sawtooth	White	2-1/4" Off	5/8" BB	635	10.3
456DB4SW243I	530/450-6	4	Tube-Type	Sawtooth	White	2-1/4" Off	1/2" BB	635	10.3
456DB4SW244I	530/450-6	4	Tube-Type	Sawtooth	White	2-1/4" Off	1" Bush	635	10.3
456DB4SW251I	530/450-6	4	Tube-Type	Sawtooth	White	2-1/2" Cntrd	3/4" BB	635	10.3
456DB4SW252I	530/450-6	4	Tube-Type	Sawtooth	White	2-1/2" Cntrd	5/8" BB	635	10.3
456DB4SW253I	530/450-6	4	Tube-Type	Sawtooth	White	2-1/2" Cntrd	1/2" BB	635	10.3
456DB4SW254I	530/450-6	4	Tube-Type	Sawtooth	White	2-1/2" Cntrd	1" Bush	635	10.3
456DB4SW255I	530/450-6	4	Tube-Type	Sawtooth	White	2-1/2" Cntrd	3/4" Bush	635	10.3
456DB4SW31I	530/450-6	4	Tube-Type	Sawtooth	White	3" Cntrd	3/4" BB	635	10.3
456DB4SW32I	530/450-6	4	Tube-Type	Sawtooth	White	3" Cntrd	5/8" BB	635	10.3
456DB4SW33I	530/450-6	4	Tube-Type	Sawtooth	White	3" Cntrd	1/2" BB	635	10.3
456DB4SW34I	530/450-6	4	Tube-Type	Sawtooth	White	3" Cntrd	1" Bush	635	10.3
456DB4SW341I	530/450-6	4	Tube-Type	Sawtooth	White	3-1/4" Off	3/4" BB	635	10.3
456DB4SW342I	530/450-6	4	Tube-Type	Sawtooth	White	3-1/4" Off	5/8" BB	635	10.3
456DB4SW343I	530/450-6	4	Tube-Type	Sawtooth	White	3-1/4" Off	1/2" BB	635	10.3
456DB4SW344I	530/450-6	4	Tube-Type	Sawtooth	White	3-1/4" Off	1" Bush	635	10.3

SLOW SPEED INDUSTRIAL WHEELS



3pc Bolt Together "DB" Wheel Assemblies Sawtooth & Gray Turf Max Tires



Part Number	Size	Ply Rating	Type	Tire	Color	Hub Length	Bore Size & Type	Capacity	Shipping Weight
456DB4SW41I	530/450-6	4	Tube-Type	Sawtooth	White	4" Cntrd	3/4" BB	635	10.3
456DB4SW42I	530/450-6	4	Tube-Type	Sawtooth	White	4" Cntrd	5/8" BB	635	10.3
456DB4SW43I	530/450-6	4	Tube-Type	Sawtooth	White	4" Cntrd	1/2" BB	635	10.3
456DB4SW44I	530/450-6	4	Tube-Type	Sawtooth	White	4" Cntrd	1" Bush	635	10.3
9354DB-TRG1R	9x350-4	4	Tube-Type	Gray Turf Max	White	4" Cntrd	3/4" OCRB	230	6.0
9354DB-TRG2R	9x350-4	4	Tube-Type	Gray Turf Max	White	4" Cntrd	5/8" OCRB	230	6.0

3pc Bolt Together Keyed Drive Wheel Assemblies Sawtooth Tires



Part Number	Size	Ply Rating	Type	Tire	Color	Hub Length	Bore Size & Type	Capacity	Shipping Weight
284KY4-SW-1	280/250-4	4	Tube-Type	Sawtooth	White	3" Cntrd	1" Bore x 1/4" Keyway	280	4.8
284KY4-SW-34	280/250-4	4	Tube-Type	Sawtooth	White	3" Cntrd	3/4" Bore x 3/16" Keyway	280	4.8
354KY4-SW-1I	410/350-4	4	Tube-Type	Sawtooth	White	3" Cntrd	1" Bore x 1/4" Keyway	350	6.5
354KY4-SW34I	410/350-4	4	Tube-Type	Sawtooth	White	3" Cntrd	3/4" Bore x 3/16" Keyway	350	6.5
354KY-ST-1	410/350-4	2	Tube-Type	Stud	White	3" Cntrd	1" Bore x 1/4" Keyway	260	6.5
354KY-ST-34	410/350-4	2	Tube-Type	Stud	White	3" Cntrd	3/4" Bore x 3/16" Keyway	260	6.5
354KY-SW-1	410/350-4	2	Tube-Type	Sawtooth	White	3" Cntrd	1" Bore x 1/4" Keyway	260	6.5
354KY-SW-34	410/350-4	2	Tube-Type	Sawtooth	White	3" Cntrd	3/4" Bore x 3/16" Keyway	260	6.5
355KY4-SW1I	410/350-5	4	Tube-Type	Sawtooth	White	3" Cntrd	1" Bore x 1/4" Keyway	350	7.5
355KY4-SW34I	410/350-5	4	Tube-Type	Sawtooth	White	3" Cntrd	3/4" Bore x 3/16" Keyway	350	7.5
355KY-ST-1	410/350-5	2	Tube-Type	Stud	White	3" Cntrd	1" Bore x 1/4" Keyway	285	7.5
355KY-ST-34	410/350-5	2	Tube-Type	Stud	White	3" Cntrd	3/4" Bore x 3/16" Keyway	285	7.5
355KY-SW-1	410/350-5	2	Tube-Type	Sawtooth	White	3" Cntrd	1" Bore x 1/4" Keyway	285	7.5
355KY-SW-34	410/350-5	2	Tube-Type	Sawtooth	White	3" Cntrd	3/4" Bore x 3/16" Keyway	285	7.5
356KY4-SW-1I	410/350-6	4	Tube-Type	Sawtooth	White	3" Cntrd	1" Bore x 1/4" Keyway	495	8.5
356KY4-SW34I	410/350-6	4	Tube-Type	Sawtooth	White	3" Cntrd	3/4" Bore x 3/16" Keyway	495	8.5
356KY-ST-1	410/350-6	2	Tube-Type	Stud	White	3" Cntrd	1" Bore x 1/4" Keyway	320	8.3

SLOW SPEED INDUSTRIAL WHEELS



3pc Bolt Together Keyed Drive Wheel Assemblies Sawtooth Tires



Part Number	Size	Ply Rating	Type	Tire	Color	Hub Length	Bore Size & Type	Capacity	Shipping Weight
356KY-ST-34	410/350-6	2	Tube-Type	Stud	White	3" Cntrd	3/4" Bore x 3/16" Keyway	320	8.3
356KY-SW-1	410/350-6	2	Tube-Type	Sawtooth	White	3" Cntrd	1" Bore x 1/4" Keyway	320	8.3
356KY-SW-34	410/350-6	2	Tube-Type	Sawtooth	White	3" Cntrd	3/4" Bore x 3/16" Keyway	320	8.3

3pc Bolt Together Wheel Assemblies Tapered Cup & Cone Hubs Sawtooth Tires



Part Number	Size	Ply Rating	Type	Tire	Color	Hub Length	Bore Size & Type	Capacity	Shipping Weight
284HS4-SW3	280/250-4	4	Tube-Type	Sawtooth	White	3" Off	3/4" Tapered Cup & Cone	280	4.8
284HS4-SW3C	280/250-4	4	Tube-Type	Sawtooth	White	3" Cntrd	3/4" Tapered Cup & Cone	280	4.8
305HS4-SW3CI	340/300-5	4	Tube-Type	Sawtooth	White	3" Off	3/4" Tapered Cup & Cone	380	6.3
305HS4-SW3I	340/300-5	4	Tube-Type	Sawtooth	White	3" Cntrd	3/4" Tapered Cup & Cone	380	6.3
354HS4-SW3CI	410/340-4	4	Tube-Type	Sawtooth	White	3" Off	3/4" Tapered Cup & Cone	390	6.0
354HS4-SW3I	410/340-4	4	Tube-Type	Sawtooth	White	3" Cntrd	3/4" Tapered Cup & Cone	390	6.0
354HS-ST3	410/340-4	2	Tube-Type	Stud	White	3" Off	3/4" Tapered Cup & Cone	250	5.8
354HS-ST3C	410/350-4	2	Tube-Type	Stud	White	3" Cntrd	3/4" Tapered Cup & Cone	250	5.8
354HS-SW3	410/340-4	4	Tube-Type	Sawtooth	White	3" Off	3/4" Tapered Cup & Cone	250	5.8
354HS-SW3C	410/340-4	4	Tube-Type	Sawtooth	White	3" Cntrd	3/4" Tapered Cup & Cone	250	5.8
355HS4-SW3I	410/350-5	4	Tube-Type	Sawtooth	White	3" Off	3/4" Tapered Cup & Cone	445	7.0
355HS4-SW3CI	410/350-5	4	Tube-Type	Sawtooth	White	3" Cntrd	3/4" Tapered Cup & Cone	495	7.0

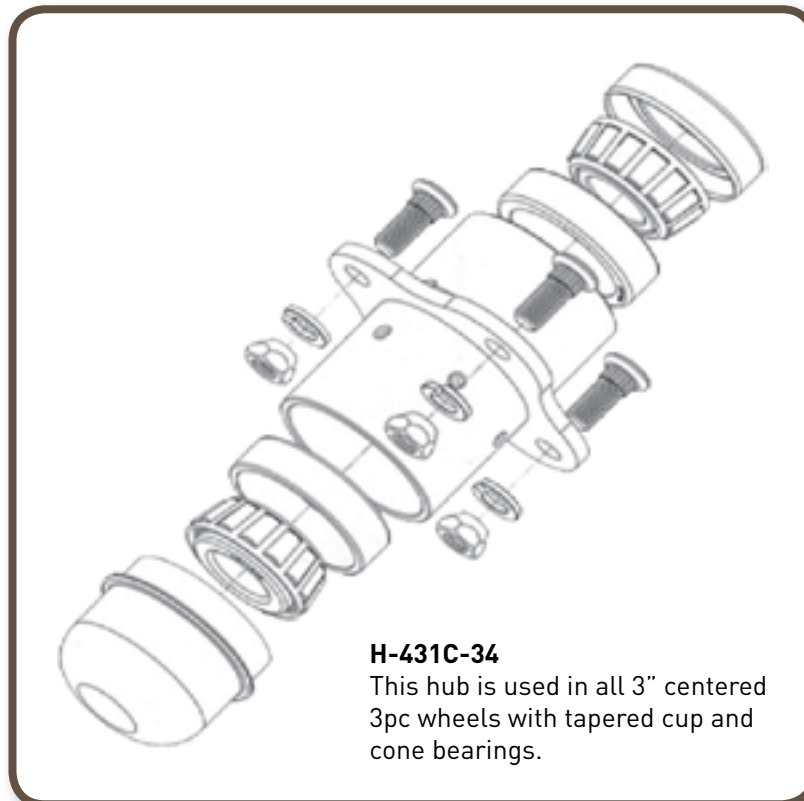
SLOW SPEED INDUSTRIAL WHEELS



3pc Bolt Together Wheel Assemblies Tapered Cup & Cone Hubs Sawtooth Tires



Part Number	Size	Ply Rating	Type	Tire	Color	Hub Length	Bore Size & Type	Capacity	Shipping Weight
355HS-ST3	410/350-5	2	Tube-Type	Stud	White	3" Off	3/4" Tapered Cup & Cone	285	6.8
355HS-ST3C	410/350-5	2	Tube-Type	Stud	White	3" Cntrd	3/4" Tapered Cup & Cone	285	6.8
355HS-SW3	410/350-5	2	Tube-Type	Sawtooth	White	3" Off	3/4" Tapered Cup & Cone	285	6.8
355HS-SW3C	410/350-5	2	Tube-Type	Sawtooth	White	3" Cntrd	3/4" Tapered Cup & Cone	285	6.8
356HS4-SW3I	410/350-6	4	Tube-Type	Sawtooth	White	3" Off	3/4" Tapered Cup & Cone	495	8.3
356HS4-SW3CI	410/350-6	4	Tube-Type	Sawtooth	White	3" Cntrd	3/4" Tapered Cup & Cone	495	8.3
356HS-ST3	410/350-6	2	Tube-Type	Stud	White	3" Off	3/4" Tapered Cup & Cone	320	8.0
356HS-ST3C	410/350-6	2	Tube-Type	Stud	White	3" Cntrd	3/4" Tapered Cup & Cone	320	8.0
356HS-SW3	410/350-6	2	Tube-Type	Sawtooth	White	3" Off	3/4" Tapered Cup & Cone	320	8.0
356HS-SW3C	410/350-6	2	Tube-Type	Sawtooth	White	3" Cntrd	3/4" Tapered Cup & Cone	320	8.0
456HS4-SW3I	530/450-6	4	Tube-Type	Sawtooth	White	3" Off	3/4" Tapered Cup & Cone	710	10.5
456HS4-SW3CI	530/450-6	4	Tube-Type	Sawtooth	White	3" Cntrd	3/4" Tapered Cup & Cone	710	10.5



H-431C-34

This hub is used in all 3" centered 3pc wheels with tapered cup and cone bearings.

UNIVERSAL PNEUMATIC WHEELBARROW WHEELS

NEW



Universal Pneumatic Designed To Fit Most Wheelbarrows

Part Number	Size	Ply	Type	Tread	Rim Color	Hub	Bearing Size & Type	Maximum Load	Shipping Weight
406TTRIB32	400-6	2	Tube-Type	Rib	White	Universal Fits 3" to 6" Centered	5/8" BB	250	4.0
408TTRIB31	480x400-8	2	Tube-Type	Rib	White		3/4" BB	300	4.7
408TTRIB32	480x400-8	2	Tube-Type	Rib	White		5/8" BB	300	4.7

UNIVERSAL FLAT-FREE WHEELBARROW WHEELS

NEW



Universal 4ever Flat-Free Designed To Fit Most Wheelbarrows

Part Number	Size	Type	Tread	Rim Color	Hub	Bearing Size & Type	Maximum Load	Shipping Weight
406RBPU32	400-6	4ever Flat-Free	Rib	White	Universal Fits 3" to 6" Centered	5/8" BB	250	6.3
408RBPU31	480x400-8	4ever Flat-Free	Rib	White		3/4" BB	350	7.3
408RBPU32	480x400-8	4ever Flat-Free	Rib	White		5/8" BB	350	7.3
408STPU32	480x400-8	4ever Flat-Free	Stud	White		5/8" BB	350	7.3

For the very first time, Martin Wheel is offering Universal Fit Wheelbarrow Wheels.

Available with Flat-Free or Pneumatic tires in either 13" or 16" diameters. Each wheel comes complete with a spacer kit and your choice of 3/4" or 5/8" ball bearings to fit the most popular lawn carts and wheelbarrows.

WHEELBARROW & LAWN CART WHEELS



Rib, Smooth, Sawtooth & Stud Tires



Part Number	Size	Ply	Type	Tread	Rim Color	Hub	Bearing Size & Type	Maximum Load	Shipping Weight
406DC3-1B	400-6	2	Tubeless	Rib	White	3" Cntrd	1" Bush	330	6.3
406DC3-12BB	400-6	2	Tubeless	Rib	White	3" Cntrd	1/2" BB	330	6.3
406DC3-34BB	400-6	2	Tubeless	Rib	White	3" Cntrd	3/4" BB	330	6.3
406DC3-58BB	400-6	2	Tubeless	Rib	White	3" Cntrd	5/8" BB	330	6.3
406DC4-12BB	400-6	2	Tubeless	Rib	White	4" Cntrd	1/2" BB	330	6.4
406DC4-1B	400-6	2	Tubeless	Rib	White	4" Cntrd	1" Bush	330	6.4
406DC4-34BB	400-6	2	Tubeless	Rib	White	4" Cntrd	3/4" BB	330	6.4
406DC4-58BB	400-6	2	Tubeless	Rib	White	4" Cntrd	5/8" BB	330	6.4
406DC6-12BB	400-6	2	Tubeless	Rib	White	6" Cntrd	1/2" BB	330	6.5
406DC6-1B	400-6	2	Tubeless	Rib	White	6" Cntrd	1" Bush	330	6.5
406DC6-34BB	400-6	2	Tubeless	Rib	White	6" Cntrd	3/4" BB	330	6.5
406DC6-58BB	400-6	2	Tubeless	Rib	White	6" Cntrd	5/8" BB	330	6.5
406DC6-58BBP	400-6	2	Tubeless	Rib	White	6" Cntrd	5/8" BB	260	6.5
408DC3-12B	400-8	2	Tubeless	Rib	White	3" Cntrd	1/2" Bush	435	6.5
408DC3-12BB	400-8	2	Tubeless	Rib	White	3" Cntrd	1/2" BB	435	6.5
408DC3-1B	400-8	2	Tubeless	Rib	White	3" Cntrd	1" Bush	435	6.5
408DC3-34B	400-8	2	Tubeless	Rib	White	3" Cntrd	3/4" Bush	435	6.5
408DC3-34BB	400-8	2	Tubeless	Rib	White	3" Cntrd	3/4" BB	435	6.5
408DC3-34BBP	400-8	2	Tubeless	Rib	White	3" Cntrd	3/4" BB	300	6.5
408DC3-58B	400-8	2	Tubeless	Rib	White	3" Cntrd	5/8" Bush	435	6.5
408DC3-58BB	400-8	2	Tubeless	Rib	White	3" Cntrd	5/8" BB	435	6.5
408DC3-SM12	400-8	2	Tubeless	Smooth	White	3" Cntrd	1/2" BB	435	7.0
408DC3-SM1B	400-8	2	Tubeless	Smooth	White	3" Cntrd	1" Bush	435	7.0
408DC3-SM34	400-8	2	Tubeless	Smooth	White	3" Cntrd	3/4" BB	435	7.0
408DC3-SM58	400-8	2	Tubeless	Smooth	White	3" Cntrd	5/8" BB	435	7.0
408DC3-ST34	480/400-8	2	Tubeless	Stud	White	3" Cntrd	3/4" BB	390	8.4
408DC3-ST58	480/400-8	2	Tubeless	Stud	White	3" Cntrd	5/8" BB	390	8.4
408DC3-SW12	480/400-8	2	Tubeless	Sawtooth	White	3" Cntrd	1/2" BB	390	8.6
408DC3-SW12B	480/400-8	2	Tubeless	Sawtooth	White	3" Cntrd	1/2" Bush	390	8.6
408DC3-SW1B	480/400-8	2	Tubeless	Sawtooth	White	3" Cntrd	1" Bush	390	8.6

WHEELBARROW & LAWN CART WHEELS



Rib, Smooth, Sawtooth & Stud Tires



Part Number	Size	Ply	Type	Tread	Rim Color	Hub	Bearing Size & Type	Maximum Load	Shipping Weight
408DC3-SW34	480/400-8	2	Tubeless	Sawtooth	White	3" Cntrd	3/4" BB	390	8.6
408DC3-SW34B	480/400-8	2	Tubeless	Sawtooth	White	3" Cntrd	3/4" Bush	390	8.6
408DC3-SW58	480/400-8	2	Tubeless	Sawtooth	White	3" Cntrd	5/8" BB	390	8.6
408DC3-SW58B	480/400-8	2	Tubeless	Sawtooth	White	3" Cntrd	5/8" Bush	390	8.6
408DC3W-12BB	480/400-8	2	Tubeless	Sawtooth	White	3" Cntrd	1/2" BB	390	8.9
408DC3W-1B	480/400-8	2	Tubeless	Sawtooth	White	3" Cntrd	1" Bush	390	8.9
408DC3W-34BB	480/400-8	2	Tubeless	Sawtooth	White	3" Cntrd	3/4" BB	390	8.9
408DC3W-58BB	480/400-8	2	Tubeless	Sawtooth	White	3" Cntrd	5/8" BB	390	8.9
408DC4-12B	400-8	2	Tubeless	Rib	White	4" Cntrd	1/2" Bush	435	6.6
408DC4-12BB	400-8	2	Tubeless	Rib	White	4" Cntrd	1/2" BB	435	6.6
408DC4-1B	400-8	2	Tubeless	Rib	White	4" Cntrd	1" Bush	435	6.6
408DC4-34B	400-8	2	Tubeless	Rib	White	4" Cntrd	3/4" Bush	435	6.6
408DC4-34BB	400-8	2	Tubeless	Rib	White	4" Cntrd	3/4" BB	435	6.6
408DC4-34BBP	400-8	2	Tubeless	Rib	White	4" Cntrd	3/4" BB	300	6.6
408DC4-58B	400-8	2	Tubeless	Rib	White	4" Cntrd	5/8" Bush	435	6.6
408DC4-58BB	400-8	2	Tubeless	Rib	White	4" Cntrd	5/8" BB	435	6.6
408DC4-SM12	400-8	2	Tubeless	Smooth	White	4" Cntrd	1/2" BB	435	6.9
408DC4-SM1B	400-8	2	Tubeless	Smooth	White	4" Cntrd	1" Bush	435	6.9
408DC4-SM34	400-8	2	Tubeless	Smooth	White	4" Cntrd	3/4" BB	435	6.9
408DC4-SM58	400-8	2	Tubeless	Smooth	White	4" Cntrd	5/8" BB	435	6.9
408DC4-ST34	480/400-8	2	Tubeless	Stud	White	4" Cntrd	3/4" BB	435	8.5
408DC4-ST58	480/400-8	2	Tubeless	Stud	White	4" Cntrd	5/8" BB	435	8.5
408DC4-SW12	480/400-8	2	Tubeless	Sawtooth	White	4" Cntrd	1/2" BB	390	9.9
408DC4-SW12B	480/400-8	2	Tubeless	Sawtooth	White	4" Cntrd	1/2" Bush	390	9.9
408DC4-SW1B	480/400-8	2	Tubeless	Sawtooth	White	4" Cntrd	1" Bush	390	9.9
408DC4-SW34	480/400-8	2	Tubeless	Sawtooth	White	4" Cntrd	3/4" BB	390	9.9
408DC4-SW34B	480/400-8	2	Tubeless	Sawtooth	White	4" Cntrd	3/4" Bush	390	9.9
408DC4-SW58	480/400-8	2	Tubeless	Sawtooth	White	4" Cntrd	5/8" BB	390	9.9
408DC4-SW58B	480/400-8	2	Tubeless	Sawtooth	White	4" Cntrd	5/8" Bush	390	9.9
408DC4W-12BB	480/400-8	2	Tubeless	Sawtooth	White	4" Cntrd	1/2" BB	390	10.3

WHEELBARROW & LAWN CART WHEELS



Rib, Smooth, Sawtooth & Stud Tires



Part Number	Size	Ply	Type	Tread	Rim Color	Hub	Bearing Size & Type	Maximum Load	Shipping Weight
408DC4W-1B	480/400-8	2	Tubeless	Sawtooth	White	4" Cntrd	1" Bush	390	10.3
408DC4W-34BB	480/400-8	2	Tubeless	Sawtooth	White	4" Cntrd	3/4" BB	390	10.3
408DC4W-58BB	480/400-8	2	Tubeless	Sawtooth	White	4" Cntrd	5/8" BB	390	10.3
408DC6-12B	400-8	2	Tubeless	Rib	White	6" Cntrd	1/2" Bush	435	6.8
408DC6-12BB	400-8	2	Tubeless	Rib	White	6" Cntrd	1/2" BB	435	6.8
408DC6-1B	400-8	2	Tubeless	Rib	White	6" Cntrd	1" Bush	435	6.8
408DC6-34B	400-8	2	Tubeless	Rib	White	6" Cntrd	3/4" Bush	435	6.8
408DC6-34BB	400-8	2	Tubeless	Rib	White	6" Cntrd	3/4" BB	435	6.8
408DC6-58B	400-8	2	Tubeless	Rib	White	6" Cntrd	5/8" Bush	435	6.8
408DC6-58BB	400-8	2	Tubeless	Rib	White	6" Cntrd	5/8" BB	435	6.8
408DC6-58BBP	400-8	2	Tubeless	Rib	White	6" Cntrd	5/8" BB	300	6.8
408DC6-SM12	400-8	2	Tubeless	Smooth	White	6" Cntrd	1/2" BB	435	7.0
408DC6-SM1B	400-8	2	Tubeless	Smooth	White	6" Cntrd	1" Bush	435	7.0
408DC6-SM34	400-8	2	Tubeless	Smooth	White	6" Cntrd	3/4" BB	435	7.0
408DC6-SM58	400-8	2	Tubeless	Smooth	White	6" Cntrd	5/8" BB	435	7.0
408DC6-ST34	480/400-8	2	Tubeless	Stud	White	6" Cntrd	3/4" BB	435	8.5
408DC6-ST58	480/400-8	2	Tubeless	Stud	White	6" Cntrd	5/8" BB	435	8.5
408DC6-SW12	480/400-8	2	Tubeless	Sawtooth	White	6" Cntrd	1/2" BB	390	9.9
408DC6-SW12B	480/400-8	2	Tubeless	Sawtooth	White	6" Cntrd	1/2" Bush	390	9.9
408DC6-SW1B	480/400-8	2	Tubeless	Sawtooth	White	6" Cntrd	1" Bush	390	9.9
408DC6-SW34	480/400-8	2	Tubeless	Sawtooth	White	6" Cntrd	3/4" BB	390	9.9
408DC6-SW34B	480/400-8	2	Tubeless	Sawtooth	White	6" Cntrd	3/4" Bush	390	9.9
408DC6-SW58	480/400-8	2	Tubeless	Sawtooth	White	6" Cntrd	5/8" BB	390	9.9
408DC6-SW58B	480/400-8	2	Tubeless	Sawtooth	White	6" Cntrd	5/8" Bush	390	9.9
408DC75-LW34	400-8	2	Tubeless	Rib	White	7-1/2" Cntrd	3/4" BB	435	7.3
408DC75-LW58	400-8	2	Tubeless	Rib	White	7-1/2" Cntrd	5/8" BB	435	7.3
409DC3-12B	400-8	4	Tubeless	Rib	White	3" Cntrd	1/2" Bush	575	6.9
409DC3-12BB	400-8	4	Tubeless	Rib	White	3" Cntrd	1/2" BB	575	6.9
409DC3-1B	400-8	4	Tubeless	Rib	White	3" Cntrd	1" Bush	575	6.9
409DC3-34B	400-8	4	Tubeless	Rib	White	3" Cntrd	3/4" Bush	575	6.9

WHEELBARROW & LAWN CART WHEELS



Rib, Smooth, Sawtooth & Stud Tires



Part Number	Size	Ply	Type	Tread	Rim Color	Hub	Bearing Size & Type	Maximum Load	Shipping Weight
409DC3-34BB	480/400-8	4	Tubeless	Rib	White	3" Cntrd	3/4" BB	575	6.9
409DC3-34BBP	480/400-8	4	Tubeless	Rib	White	3" Cntrd	3/4" BB	485	6.9
409DC3-58B	480/400-8	4	Tubeless	Rib	White	3" Cntrd	5/8" Bush	575	6.9
409DC3-58BB	480/400-8	4	Tubeless	Rib	White	3" Cntrd	5/8" BB	575	6.9
409DC3-SM12	480/400-8	4	Tubeless	Smooth	White	3" Cntrd	1/2" BB	575	7.0
409DC3-SM1B	480/400-8	4	Tubeless	Smooth	White	3" Cntrd	1" Bush	575	7.0
409DC3-SM34	480/400-8	4	Tubeless	Smooth	White	3" Cntrd	3/4" BB	575	7.0
409DC3-SM58	480/400-8	4	Tubeless	Smooth	White	3" Cntrd	5/8" BB	575	7.0
409DC3-ST34	480/400-8	4	Tubeless	Stud	White	3" Cntrd	3/4" BB	475	8.5
409DC3-SW12	480/400-8	4	Tubeless	Sawtooth	White	3" Cntrd	1/2" BB	590	9.9
409DC3-SW1B	480/400-8	4	Tubeless	Sawtooth	White	3" Cntrd	1" Bush	590	9.9
409DC3-SW58	480/400-8	4	Tubeless	Sawtooth	White	3" Cntrd	5/8" BB	590	9.9
409DC3W-34BB	480/400-8	4	Tubeless	Sawtooth	White	3" Cntrd	3/4" BB	590	10.2
409DC4-12B	480/400-8	4	Tubeless	Rib	White	4" Cntrd	1/2" Bush	575	6.6
409DC4-12BB	480/400-8	4	Tubeless	Rib	White	4" Cntrd	1/2" BB	575	6.6
409DC4-1B	480/400-8	4	Tubeless	Rib	White	4" Cntrd	1" Bush	575	6.6
409DC4-34B	480/400-8	4	Tubeless	Rib	White	4" Cntrd	3/4" Bush	575	6.6
409DC4-34BB	480/400-8	4	Tubeless	Rib	White	4" Cntrd	3/4" BB	575	6.6
409DC4-34BBP	480/400-8	4	Tubeless	Rib	White	4" Cntrd	3/4" BB	485	6.6
409DC4-58B	480/400-8	4	Tubeless	Rib	White	4" Cntrd	5/8" Bush	575	6.6
409DC4-58BB	480/400-8	4	Tubeless	Rib	White	4" Cntrd	5/8" BB	575	6.6
409DC4-SM12	480/400-8	4	Tubeless	Smooth	White	4" Cntrd	1/2" BB	575	6.9
409DC4-SM1B	480/400-8	4	Tubeless	Smooth	White	4" Cntrd	1" Bush	575	6.9
409DC4-SM34	480/400-8	4	Tubeless	Smooth	White	4" Cntrd	3/4" BB	575	6.9
409DC4-SM58	480/400-8	4	Tubeless	Smooth	White	4" Cntrd	5/8" BB	575	6.9
409DC4-SW12	480/400-8	4	Tubeless	Sawtooth	White	4" Cntrd	1/2" BB	590	10.8
409DC4-SW1B	480/400-8	4	Tubeless	Sawtooth	White	4" Cntrd	1" Bush	590	10.8
409DC4-SW34	480/400-8	4	Tubeless	Sawtooth	White	4" Cntrd	3/4" BB	590	10.8
409DC4-SW58	480/400-8	4	Tubeless	Sawtooth	White	4" Cntrd	5/8" BB	590	10.8

WHEELBARROW & LAWN CART WHEELS



Rib, Smooth, Sawtooth & Stud Tires



Part Number	Size	Ply	Type	Tread	Rim Color	Hub	Bearing Size & Type	Maximum Load	Shipping Weight
409DC4W-12BB	480/400-8	4	Tubeless	Sawtooth	White	4" Cntrd	1/2" BB	590	11.1
409DC4W-34BB	480/400-8	4	Tubeless	Sawtooth	White	4" Cntrd	3/4" BB	590	11.1
409DC4W-58BB	480/400-8	4	Tubeless	Sawtooth	White	4" Cntrd	5/8" BB	590	11.1
409DC6-12B	480/400-8	4	Tubeless	Rib	White	6" Cntrd	1/2" Bush	575	6.8
409DC6-12BB	480/400-8	4	Tubeless	Rib	White	6" Cntrd	1/2" BB	575	6.8
409DC6-1B	480/400-8	4	Tubeless	Rib	White	6" Cntrd	1" Bush	575	6.8
409DC6-34B	480/400-8	4	Tubeless	Rib	White	6" Cntrd	3/4" Bush	575	6.8
409DC6-34BB	480/400-8	4	Tubeless	Rib	White	6" Cntrd	3/4" BB	575	6.8
409DC6-58B	480/400-8	4	Tubeless	Rib	White	6" Cntrd	5/8" Bush	575	6.8
409DC6-58BB	480/400-8	4	Tubeless	Rib	White	6" Cntrd	5/8" BB	575	6.8
409DC6-58BBP	480/400-8	4	Tubeless	Rib	White	6" Cntrd	5/8" BB	485	6.8
409DC6-SM12	480/400-8	4	Tubeless	Smooth	White	6" Cntrd	1/2" BB	575	6.9
409DC6-SM1B	480/400-8	4	Tubeless	Smooth	White	6" Cntrd	1" Bush	575	6.9
409DC6-SM34	480/400-8	4	Tubeless	Smooth	White	6" Cntrd	3/4" BB	575	6.9
409DC6-SM58	480/400-8	4	Tubeless	Smooth	White	6" Cntrd	5/8" BB	575	6.9
409DC6-STT58	480/400-8	4	Tube-Type	Stud	White	6" Cntrd	5/8" BB	475	8.5
409DC6-SW12	480/400-8	4	Tubeless	Sawtooth	White	6" Cntrd	1/2" BB	590	9.9
409DC6-SW1B	480/400-8	4	Tubeless	Sawtooth	White	6" Cntrd	1" Bush	590	9.9
409DC6-SW34	480/400-8	4	Tubeless	Sawtooth	White	6" Cntrd	3/4" BB	590	9.9
409DC6-SW58	480/400-8	4	Tubeless	Sawtooth	White	6" Cntrd	5/8" BB	590	9.9
408DC3UR34BBPT	480/400-8		Flat-Free	Rib	White	3" Cntrd	3/4" BB	350	6.8
408DC6U-58BBP	480/400-8		Flat-Free	Rib	White	6" Cntrd	5/8" BB	480	7.8
408DC6UR58BBPT	480/400-8		Flat-Free	Rib	White	6" Cntrd	5/8" BB	350	7.8
408DC6US58BBPT	480/400-8		Flat-Free	Stud	White	6" Cntrd	5/8" BB	350	7.8

CASTERS & MATERIAL HANDLING



Pneumatic Swivel & Rigid Casters



Part Number	Tire Size	Tire Ply Rating	Style	Load Height	Top Plate Size	Bolt Hole Spacing	Maximum Load	Shipping Weight
284FS4-I	280/250-4	4	Swivel	10"	3.92" x 4.48"	3.02/3.58 x 2.59/2.98	295	7.5
284FR4-I	280/250-4	4	Rigid	10"	3.92" x 4.48"	3.02/3.58 x 2.59/2.98	295	7.0
354FS	410/350-4	2	Swivel	11.95"	3.92" x 4.48"	3.02/3.58 x 2.59/2.98	200	9.5
354FR	410/350-4	2	Rigid	11.95"	3.92" x 4.48"	3.02/3.58 x 2.59/2.98	200	8.5
354FS4-I	410/350-4	4	Swivel	11.95"	3.92" x 4.48"	3.02/3.58 x 2.59/2.98	250	9.5
354FR4-I	410/350-4	4	Rigid	11.95"	3.92" x 4.48"	3.02/3.58 x 2.59/2.98	250	8.5
284FS4-I-GR	280/250-4/Non-Marking	4	Swivel	10"	3.92" x 4.48"	3.02/3.58 x 2.59/2.98	295	7.5
284FR4-I-GR	280/250-4/Non-Marking	4	Rigid	10"	3.92" x 4.48"	3.02/3.58 x 2.59/2.98	295	7.0
354FS4-I-GR	410/350-4/Non-Marking	4	Swivel	11.95"	3.92" x 4.48"	3.02/3.58 x 2.59/2.98	250	9.5
354FR4-I-GR	280/250-4/Non-Marking	4	Rigid	11.95"	3.92" x 4.48"	3.02/3.58 x 2.59/2.98	250	8.5

Replacement Pneumatic Swivel & Rigid Caster Forks



Part Number	Tire Size	Tire Ply Rating	Style	Load Height	Top Plate Size	Bolt Hole Spacing	Maximum Load	Shipping Weight
F-903-S	280/250-4	3.40 "	Swivel	10"	3.92" x 4.48"	3.02/3.58 x 2.59/2.98	295	3.8
F-903-R	280/250-4	3.40 "	Rigid	10"	3.92" x 4.48"	3.02/3.58 x 2.59/2.98	295	3.5
F-904-S	410/350-4	4.10 "	Swivel	11.95"	3.92" x 4.48"	3.02/3.58 x 2.59/2.98	250	5.0
F-904-R	410/350-4	4.10 "	Rigid	11.95"	3.92" x 4.48"	3.02/3.58 x 2.59/2.98	250	3.8

NOTES:

CASTERS & MATERIAL HANDLING



Light Duty Swivel & Rigid Casters



Part Number	Wheel Size	Wheel Type	Style	Load Height	Top Plate Bolt Spacing	Bolt Hole Spacing	Maximum Load	Shipping Weight
S-20-SR	2" x 1"	Soft Rubber	Swivel	2-7/16"	1-7/8" x 2-9/16"	15/16 x 2-1/8	90	0.5
S-20-SR-SLB	2" x 1"	Soft Rubber	Swivel w/ Brake	2-7/16"	1-7/8" x 2-9/16"	15/16 x 2-1/8	90	0.5
R-20-SR	2" x 1"	Soft Rubber	Rigid	2-7/16"	1-1/2" x 2-11/16"	15/16 x 2-1/8	90	0.4
S-20-HR	2" x 1"	Hard Rubber	Swivel	2-7/16"	1-7/8" x 2-9/16"	15/16 x 2-1/8	125	0.5
R-20-HR	2" x 1"	Hard Rubber	Rigid	2-7/16"	1-1/2" x 2-11/16"	15/16 x 2-1/8	125	0.5
S-25-SR	2-1/2" x 1-1/8"	Soft Rubber	Swivel	3-1/4"	2-3/4" x 3-7/8"	1-3/4 x 3	100	1.0
R-25-SR	2-1/2" x 1-1/8"	Soft Rubber	Rigid	3-1/4"	2-1/4" x 4-7/16"	1-1/16 x 3-1/2	100	0.8
S-25-HR	2-1/2" x 1-1/8"	Hard Rubber	Swivel	3-1/4"	2-3/4" x 3-7/8"	1-3/4 x 3	125	1.3
S-25-HR	2-1/2" x 1-1/8"	Hard Rubber	Rigid	3-1/4"	2-1/4" x 4-7/16"	1-1/16 x 3-1/2	125	1.0
S-30-SR	3 x 1-1/4"	Soft Rubber	Swivel	3-3/4"	3-1/8" x 4-1/8"	2-3/8 x 3-3/8 to 3-7/16	125	1.4
R-30-SR	3 x 1-1/4"	Soft Rubber	Rigid	3-3/4"	2-1/4" x 4-7/8"	1-3/16 x 4	125	1.1
S-30-HR	3 x 1-1/4"	Hard Rubber	Swivel	3-3/4"	3-1/8" x 4-1/8"	2-3/8 x 3-3/8 to 3-7/16	210	1.4
R-30-HR	3 x 1-1/4"	Hard Rubber	Rigid	3-3/4"	2-1/4" x 4-7/8"	1-3/16 x 4	210	1.5
R-40-SR	4 x 1-1/2"	Soft Rubber	Rigid	5"	2-3/4" x 6"	1-3/4 x 5	200	2.3
S-40-HR	4 x 1-1/2"	Hard Rubber	Swivel	5"	4" x 5-1/8"	3 x 4	300	3.0
R-40-HR	4 x 1-1/2"	Hard Rubber	Rigid	5"	2-3/4" x 6"	1-3/4 x 5	300	2.3
S-40-SR	4 x 1-1/2"	Soft Rubber	Swivel	5"	4" x 5-1/8"	3 x 4	200	2.8

NOTES:

CASTERS & MATERIAL HANDLING



4ever Flat-Free Handtruck Wheel



Part Number	Size	Type	Tread	Rim Color	Hub Length	Bearing Size & Type	Maximum Load	Shipping Weight
354SWTPU242	410x350-4	4Ever Flat-Free	Sawtooth	White	2-1/4" Off	5/8" BB	250	4.2

Zero Pressure Semi-Pneumatic and Solid Rubber Tire Wheels



Part Number	Size	Hub Length & Type	Rim Color	Bearing Size & Type	Tread	Maximum Load	Shipping Weight
ZP11025-2C1	10x2.75	2-1/4" Centered	Silver	3/4" BB	Rib	250	6.3
ZP11025-2C2	10x2.75	2-1/4" Centered	Silver	5/8" BB	Rib	250	6.3
ZP11025-2C3	10x2.75	2-1/4" Centered	Silver	1/2" BB	Rib	250	6.3
ZP11025-2C4	10x2.75	2-1/4" Centered	Silver	1" Bush	Rib	250	6.3
ZP11025-2O1	10x2.75	2-1/4" Offset	Silver	3/4" BB	Rib	250	6.3
ZP11025-2O2	10x2.75	2-1/4" Offset	Silver	5/8" BB	Rib	250	6.3
ZP11025-2O3	10x2.75	2-1/4" Offset	Silver	1/2" BB	Rib	250	6.3
ZP11025-2O4	10x2.75	2-1/4" Offset	Silver	1" Bush	Rib	250	6.3
ZP11025-3C1	10x2.75	3" Centered	Silver	3/4" BB	Rib	250	6.3
ZP11025-3C2	10x2.75	3" Centered	Silver	5/8" BB	Rib	250	6.3
ZP11025-3C3	10x2.75	3" Centered	Silver	1/2" BB	Rib	250	6.3
ZP11025-3C4	10x2.75	3" Centered	Silver	1" Bush	Rib	250	6.3
ZP11025-3O1	10x2.75	2-5/8" Offset	Silver	3/4" BB	Rib	250	6.3
ZP11025-3O2	10x2.75	2-5/8" Offset	Silver	5/8" BB	Rib	250	6.3
ZP11025-3O3	10x2.75	2-5/8" Offset	Silver	1/2" BB	Rib	250	6.3
ZP11025-3O4	10x2.75	2-5/8" Offset	Silver	1" Bush	Rib	250	6.3
ZP1102GW-2C1	10x2.75	2-1/4" Centered	Silver	3/4" BB	Rib	250	6.3
ZP1102GW-2C2	10x2.75	2-1/4" Centered	Silver	5/8" BB	Rib	250	6.3
ZP1102GW-2C3	10x2.75	2-1/4" Centered	Silver	1/2" BB	Rib	250	6.3
ZP1102GW-2C4	10x2.75	2-1/4" Centered	Silver	1" Bush	Rib	250	6.3

CASTERS & MATERIAL HANDLING



Zero Pressure Semi-Pneumatic and Solid Rubber Tire Wheels



Part Number	Size	Hub Length & Type	Rim Color	Bearing Size & Type	Tread	Maximum Load	Shipping Weight
ZP1102GW-201	10x2.75	2-1/4" Offset	Silver	3/4" BB	Rib	200	6.3
ZP1102GW-202	10x2.75	2-1/4" Offset	Silver	5/8" BB	Rib	200	6.3
ZP1102GW-203	10x2.75	2-1/4" Offset	Silver	1/2" BB	Rib	200	6.3
ZP1102GW-204	10x2.75	2-1/4" Offset	Silver	1" Bush	Rib	200	6.3
ZP1102GW-3C1	10x2.75	3" Centered	Silver	3/4" BB	Rib	200	6.3
ZP1102GW-3C2	10x2.75	3" Centered	Silver	5/8" BB	Rib	200	6.3
ZP1102GW-3C3	10x2.75	3" Centered	Silver	1/2" BB	Rib	200	6.3
ZP1102GW-3C4	10x2.75	3" Centered	Silver	1" Bush	Rib	200	6.3
ZP1102GW-301	10x2.75	2-5/8" Offset	Silver	3/4" BB	Rib	200	6.3
ZP1102GW-302	10x2.75	2-5/8" Offset	Silver	5/8" BB	Rib	200	6.3
ZP1102GW-303	10x2.75	2-5/8" Offset	Silver	1/2" BB	Rib	200	6.3
ZP1102GW-304	10x2.75	2-5/8" Offset	Silver	1" Bush	Rib	200	6.3
ZP1102SD-2C1	10x2.75	2-1/4" Centered	Silver	3/4" BB	Rib	350	8.5
ZP1102SD-2C2	10x2.75	2-1/4" Centered	Silver	5/8" BB	Rib	350	8.5
ZP1102SD-2C3	10x2.75	2-1/4" Centered	Silver	1/2" BB	Rib	350	8.5
ZP1102SD-2C4	10x2.75	2-1/4" Centered	Silver	1" Bush	Rib	350	8.5
ZP1102GW-201	10x2.75	2-1/4" Offset	Silver	3/4" BB	Rib	200	6.3
ZP1102GW-202	10x2.75	2-1/4" Offset	Silver	5/8" BB	Rib	200	6.3
ZP1102GW-203	10x2.75	2-1/4" Offset	Silver	1/2" BB	Rib	200	6.3
ZP1102GW-204	10x2.75	2-1/4" Offset	Silver	1" Bush	Rib	200	6.3
ZP1102GW-3C1	10x2.75	3" Centered	Silver	3/4" BB	Rib	200	6.3
ZP1102GW-3C2	10x2.75	3" Centered	Silver	5/8" BB	Rib	200	6.3
ZP1102GW-3C3	10x2.75	3" Centered	Silver	1/2" BB	Rib	200	6.3
ZP1102GW-3C4	10x2.75	3" Centered	Silver	1" Bush	Rib	200	6.3
ZP1102GW-301	10x2.75	2-5/8" Offset	Silver	3/4" BB	Rib	200	6.3
ZP1102GW-302	10x2.75	2-5/8" Offset	Silver	5/8" BB	Rib	200	6.3
ZP1102GW-303	10x2.75	2-5/8" Offset	Silver	1/2" BB	Rib	200	6.3
ZP1102GW-304	10x2.75	2-5/8" Offset	Silver	1" Bush	Rib	200	6.3
ZP1102SD-2C1	10x2.75	2-1/4" Centered	Silver	3/4" BB	Rib	350	8.5
ZP1102SD-2C2	10x2.75	2-1/4" Centered	Silver	5/8" BB	Rib	350	8.5
ZP1102SD-2C3	10x2.75	2-1/4" Centered	Silver	1/2" BB	Rib	350	8.5
ZP1102SD-2C4	10x2.75	2-1/4" Centered	Silver	1" Bush	Rib	350	8.5

CASTERS & MATERIAL HANDLING



Zero Pressure Semi-Pneumatic and Solid Rubber Tire Wheels



Part Number	Size	Hub Length & Type	Rim Color	Bearing Size & Type	Tread	Maximum Load	Shipping Weight
ZP1102SD-201	10x2.75	2-1/4" Offset	Silver	3/4" BB	Rib	350	8.5
ZP1102SD-202	10x2.75	2-1/4" Offset	Silver	5/8" BB	Rib	350	8.5
ZP1102SD-203	10x2.75	2-1/4" Offset	Silver	1/2" BB	Rib	350	8.5
ZP1102SD-204	10x2.75	2-1/4" Offset	Silver	1" Bush	Rib	350	8.5
ZP1102SD-3C1	10x2.75	3" Centered	Silver	3/4" BB	Rib	350	8.5
ZP1102SD-3C2	10x2.75	3" Centered	Silver	5/8" BB	Rib	350	8.5
ZP1102SD-3C3	10x2.75	3" Centered	Silver	1/2" BB	Rib	350	8.5
ZP1102SD-3C4	10x2.75	3" Centered	Silver	1" Bush	Rib	350	8.5
ZP1102SD-301	10x2.75	2-5/8" Offset	Silver	3/4" BB	Rib	350	8.5
ZP1102SD-302	10x2.75	2-5/8" Offset	Silver	5/8" BB	Rib	350	8.5
ZP1102SD-303	10x2.75	2-5/8" Offset	Silver	1/2" BB	Rib	350	8.5
ZP1102SD-304	10x2.75	2-5/8" Offset	Silver	1" Bush	Rib	350	8.5
ZP1104G-2C1	10.5x3.50	2-1/4" Centered	Silver	3/4" BB	Turf	150	7.0
ZP1104G-2C2	10.5x3.50	2-1/4" Centered	Silver	5/8" BB	Turf	150	7.0
ZP1104G-2C3	10.5x3.50	2-1/4" Centered	Silver	1/2" BB	Turf	150	7.0
ZP1104G-2C4	10.5x3.50	2-1/4" Centered	Silver	1" Bush	Turf	150	7.0
ZP1104G-201	10.5x3.50	2-1/4" Offset	Silver	3/4" BB	Turf	150	7.0
ZP1104G-202	10.5x3.50	2-1/4" Offset	Silver	5/8" BB	Turf	150	7.0
ZP1104G-203	10.5x3.50	2-1/4" Offset	Silver	1/2" BB	Turf	150	7.0
ZP1104G-204	10.5x3.50	2-1/4" Offset	Silver	1" Bush	Turf	150	7.0
ZP1104G-3C1	10.5x3.50	3" Centered	Silver	3/4" BB	Turf	150	7.0
ZP1104G-3C2	10.5x3.50	3" Centered	Silver	5/8" BB	Turf	150	7.0
ZP1104G-3C3	10.5x3.50	3" Centered	Silver	1/2" BB	Turf	150	7.0
ZP1104G-3C4	10.5x3.50	3" Centered	Silver	1" Bush	Turf	150	7.0
ZP1104G-301	10.5x3.50	2-5/8" Offset	3/4" BB	3/4" BB	Turf	150	7.0
ZP1104G-302	10.5x3.50	2-5/8" Offset	5/8" BB	5/8" BB	Turf	150	7.0
ZP1104G-303	10.5x3.50	2-5/8" Offset	1/2" BB	1/2" BB	Turf	150	7.0
ZP1104G-304	10.5x3.50	2-5/8" Offset	1" Bush	1" Bush	Turf	150	7.0
ZP121GW-3C1	12x3.00	3" Centered	Silver	3/4" BB	Rib	185	9.5
ZP121GW-3C2	12x3.00	3" Centered	Silver	5/8" BB	Rib	185	9.5
ZP121GW-3C3	12x3.00	3" Centered	Silver	1/2" BB	Rib	185	9.5
ZP121GW-3C4	12x3.00	3" Centered	Silver	1" Bush	Rib	185	9.5
ZP121GW-3C5	12x3.00	3" Centered	Silver	3/4" Bush	Rib	185	9.5
ZP121GW-3C6	12x3.00	3" Centered	Silver	5/8" Bush	Rib	185	9.5
ZP121GW-3C7	12x3.00	3" Centered	Silver	1/2" Bush	Rib	185	9.5

CASTERS & MATERIAL HANDLING



Zero Pressure Semi-Pneumatic and Solid Rubber Tire Wheels

Part Number	Size	Hub Length & Type	Rim Color	Bearing Size & Type	Tread	Maximum Load	Shipping Weight
ZP121HD-3C1	12x3.00	3" Centered	Silver	3/4" BB	Rib	350	10.3
ZP121HD-3C2	12x3.00	3" Centered	Silver	5/8" BB	Rib	350	10.3
ZP121HD-3C3	12x3.00	3" Centered	Silver	1/2" BB	Rib	350	10.3
ZP121HD-3C4	12x3.00	3" Centered	Silver	1" Bush	Rib	350	10.3
ZP121HD-3C5	12x3.00	3" Centered	Silver	3/4" Bush	Rib	350	10.3
ZP121HD-3C6	12x3.00	3" Centered	Silver	5/8" Bush	Rib	350	10.3
ZP121HD-3C7	12x3.00	3" Centered	Silver	1/2" Bush	Rib	350	10.3
ZP165CV-4H-L	16x5.00	4 Hole x 4" Bolt Circle	White	∅	Chevron	625	25.0
ZP165CV-4H-R	16x5.00	4 Hole x 4" Bolt Circle	White	∅	Chevron	625	25.0
ZP61HD-150	6x2.00	2-1/4" Centered	Silver	5/8" BB	Rib	150	3.0
ZP61SOL-124	6x2.00	2-1/4" Centered	Silver	3/4" BB	Rib	200	3.0
ZP61SOL-125	6x2.00	2-1/2" Centered	Silver	3/4" BB	Rib	200	3.0
ZP61SOL-224	6x2.00	2-1/4" Centered	Silver	5/8" BB	Rib	200	3.0
ZP61SOL-225	6x2.00	2-1/2" Centered	Silver	5/8" BB	Rib	200	3.0
ZP61SOL-324	6x2.00	2-1/4" Centered	Silver	1/2" BB	Rib	200	3.0
ZP61SOL-325	6x2.00	2-1/2" Centered	Silver	1/2" BB	Rib	200	3.0
ZP61SOL-424	6x2.00	2-1/4" Centered	Silver	1" Bush	Rib	200	3.0
ZP61SOL-425	6x2.00	2-1/2" Centered	Silver	1" Bush	Rib	200	3.0
ZP61SOL-524	6x2.00	2-1/4" Centered	Silver	3/4" Bush	Rib	200	3.0
ZP61SOL-525	6x2.00	2-1/2" Centered	Silver	3/4" Bush	Rib	200	3.0
ZP61SOL-624	6x2.00	2-1/4" Centered	Silver	5/8" Bush	Rib	200	3.0
ZP61SOL-625	6x2.00	2-1/2" Centered	Silver	5/8" Bush	Rib	200	3.0

CASTERS & MATERIAL HANDLING



Zero Pressure Semi-Pneumatic and Solid Rubber Tire Wheels



Part Number	Size	Hub Length & Type	Rim Color	Bearing Size & Type	Tread	Maximum Load	Shipping Weight
ZP61SOL-724	6x2.00	2-1/4" Centered	Silver	1/2" Bush	Rib	200	3.0
ZP61SOL-725	6x2.00	2-1/2" Centered	Silver	1/2" Bush	Rib	200	3.0
ZP625-T	6-1/4 x 3.00	3" Centered	Silver	3/4" OCRB	Rib	250	4.5
ZPT10225-201	10x2.75	2-1/4" Offset	Silver	3/4" BB	Rib	250	6.5
ZPT10225-202	10x2.75	2-1/4" Offset	Silver	5/8" BB	Rib	250	6.5
ZPT10225-203	10x2.75	2-1/4" Offset	Silver	1/2" BB	Rib	250	6.5
ZPT10225-204	10x2.75	2-1/4" Offset	Silver	1" Bush	Rib	250	6.5
ZPT10225-3C1	10x2.75	3" Centered	Silver	3/4" BB	Rib	250	6.5
ZPT10225-3C2	10x2.75	3" Centered	Silver	5/8" BB	Rib	250	6.5
ZPT10225-3C3	10x2.75	3" Centered	Silver	1/2" BB	Rib	250	6.5
ZPT10225-3C4	10x2.75	3" Centered	Silver	1" Bush	Rib	250	6.5
ZPT10225-4C1	10x2.75	4" Centered	Silver	3/4" BB	Rib	250	6.5
ZPT10225-4C2	10x2.75	4" Centered	Silver	5/8" BB	Rib	250	6.5
ZPT10225-4C3	10x2.75	4" Centered	Silver	1/2" BB	Rib	250	6.5
ZPT10225-4C4	10x2.75	4" Centered	Silver	1" Bush	Rib	250	6.5
ZPT102GW-201	10x2.75	2-1/4" Offset	Silver	3/4" BB	Rib	200	6.5
ZPT102GW-202	10x2.75	2-1/4" Offset	Silver	5/8" BB	Rib	200	6.5
ZPT102GW-203	10x2.75	2-1/4" Offset	Silver	1/2" BB	Rib	200	6.5
ZPT102GW-204	10x2.75	2-1/4" Offset	Silver	1" Bush	Rib	200	6.5
ZPT102GW-3C1	10x2.75	3" Centered	Silver	3/4" BB	Rib	200	6.5
ZPT102GW-3C2	10x2.75	3" Centered	Silver	5/8" BB	Rib	200	6.5
ZPT102GW-3C3	10x2.75	3" Centered	Silver	1/2" BB	Rib	200	6.5
ZPT102GW-3C4	10x2.75	3" Centered	Silver	1" Bush	Rib	200	6.5
ZPT102GW-4C1	10x2.75	4" Centered	Silver	3/4" BB	Rib	200	6.5
ZPT102GW-4C2	10x2.75	4" Centered	Silver	5/8" BB	Rib	200	6.5
ZPT102GW-4C3	10x2.75	4" Centered	Silver	1/2" BB	Rib	200	6.5
ZPT102GW-4C4	10x2.75	4" Centered	Silver	1" Bush	Rib	200	6.5
ZPT102SD-201	10x2.75	2-1/4" Offset	Silver	3/4" BB	Rib	350	8.0
ZPT102SD-202	10x2.75	2-1/4" Offset	Silver	5/8" BB	Rib	350	8.0
ZPT102SD-203	10x2.75	2-1/4" Offset	Silver	1/2" BB	Rib	350	8.0
ZPT102SD-204	10x2.75	2-1/4" Offset	Silver	1" Bush	Rib	350	8.0

CASTERS & MATERIAL HANDLING



Zero Pressure Semi-Pneumatic and Solid Rubber Tire Wheels



Part Number	Size	Hub Length & Type	Rim Color	Bearing Size & Type	Tread	Maximum Load	Shipping Weight
ZPT102SD-3C1	10x2.75	3" Centered	Silver	3/4" BB	Rib	350	8.0
ZPT102SD-3C2	10x2.75	3" Centered	Silver	5/8" BB	Rib	350	8.0
ZPT102SD-3C3	10x2.75	3" Centered	Silver	1/2" BB	Rib	350	8.0
ZPT102SD-3C4	10x2.75	3" Centered	Silver	1" Bush	Rib	350	8.0
ZPT102SD-4C1	10x2.75	4" Centered	Silver	3/4" BB	Rib	350	8.0
ZPT102SD-4C2	10x2.75	4" Centered	Silver	5/8" BB	Rib	350	8.0
ZPT102SD-4C3	10x2.75	4" Centered	Silver	1/2" BB	Rib	350	8.0
ZPT102SD-4C4	10x2.75	4" Centered	Silver	1" Bush	Rib	350	8.0

ECO-FRIENDLY HANDTRUCK & MATERIAL HANDLING WHEELS



Made from crumb rubber recycled from automobile and truck tires and plastics using 100% post-consumer recycled materials. These wheels may be recycled themselves, thus completing the cycle of conservation and repurposing.



Part Number	Size	Hub Length & Type	Rim Color	Bearing Size & Type	Tread	Maximum Load	Shipping Weight
ZP1102RT-202	10x2.75	2-1/4" Offset	Gray	5/8" BB	Rib	550	5.9
ZP1102RT-2C2	10x2.75	2-1/4" Centered	Gray	5/8" BB	Rib	550	5.9
ZP121RT-341	12x3.00	3" Centered	Gray	3/4" BB	Rib	850	8.7
ZP121RT-342	12x3.00	3" Centered	Gray	5/8" BB	Rib	850	8.7
ZP182RT-2C2	8x2.50	2-1/2" Centered	Gray	5/8" BB	Rib	450	3.6
ZP182RT-202	8x2.50	2-1/4" Offset	Gray	5/8" BB	Rib	450	3.6
ZP61RT-325	6x2.00	2-1/2" Centered	Gray	1/2" BB	Rib	350	1.0

HIGH SPEED TRAILER TIRES



Kenda trailer tires are designed to improve handling and enhance the ride characteristics of the towed vehicle. Kenda trailer tires are continually inspected to ensure that they exceed Department of Transportation requirements!

K353, K354 & K371 Loadstar



Part Number	Size	Ply Rating	Type	OD Inches	SW Inches	Maximum Load	Max PSI	Fits Rim Size	Shipping Weight
408A-I	480-8	A	Tubeless	16.0	4.6	390	30	8x3.75	5.0
408B-I	480-8	B	Tubeless	16.1	4.6	590	60	8x3.75	5.4
408C-I	480-8	C	Tubeless	16.1	4.7	745	90	8x3.75	5.9
508B-I	570-8	B	Tubeless	18.1	5.8	715	50	8x3.75	8.5
508C-I	570-8	C	Tubeless	18.0	5.9	910	75	8x3.75	9.3
508D-I	570-8	D	Tubeless	18.0	5.5	1075	100	8x3.75	10.6
609C-I	690/600-9	C	Tubeless	21.1	6.5	1120	60	9x4.50	12.2
412B-I	480-12	B	Tubeless	20.5	4.8	780	60	12x4.0	8.6
412C-I	480-12	C	Tubeless	20.5	4.8	990	90	12x4.0	8.8
452B-I	530-12	B	Tubeless	21.9	5.6	840	55	12x4.0	10.1
452C-I	530-12	C	Tubeless	21.9	5.6	1045	80	12x4.0	11.3

K399 Loadstar



Part Number	Size	Ply Rating	Type	OD Inches	SW Inches	Maximum Load	Max PSI	Fits Rim Size	Shipping Weight
1658B-I	165/65-8 (16.5x6.50-8)	B	Tubeless	16.7	6.6	620	45	8x5.375	7.6
1658C-I	165/65-8 (16.5x6.50-8)	C	Tubeless	16.5	6.6	795	70	8x5.375	8.2
2568B-I	215/60-8 (18.5x8.50-8)	B	Tubeless	18.4	8.9	780	35	8x7.00	11.1
2568C-I	215/60-8 (18.5x8.50-8)	C	Tubeless	18.3	8.9	935	50	8x7.00	12.0
2568D-I	215/60-8 (18.5x8.50-8)	D	Tubeless	18.3	8.9	1165	70	8x7.00	13.6
25610B-I	205/65-10 (20.5x8.00-10)	B	Tubeless	20.8	8.3	905	35	10x6.0	12.2
25610C-I	205/65-10 (20.5x8.00-10)	C	Tubeless	20.5	8.3	1105	50	10x6.0	13.2
25610E-I	205/65-10 (20.5x8.00-10)	E	Tubeless	20.6	8.4	1535	90	10x6.0	16.1

HIGH SPEED TRAILER TIRES



Kenda trailer tires are designed to improve handling and enhance the ride characteristics of the towed vehicle. Kenda trailer tires are continually inspected to ensure that they exceed Department of Transportation requirements!

K550 Loadstar



Part Number	Size	Ply Rating	Type	OD Inches	SW Inches	Maximum Load	Max PSI	Fits Rim Size	Shipping Weight
ST17513B-I	ST175/80D13	B	Tubeless	24.0	6.6	1100	35	13x4.5	15.0
ST17513C-I	ST175/80D13	C	Tubeless	24.0	6.6	1350	50	13x4.5	16.2
ST17513D-I	ST175/80D13	D	Tubeless	24.0	6.6	1610	65	13x4.5	17.5
ST18513C-I	ST185/80D13	C	Tubeless	24.4	7.2	1480	50	13x4.5	18.3
ST18513D-I	ST185/80D13	D	Tubeless	24.4	7.2	1660	65	13x4.5	19.8
ST20514B-I	ST205/75D14	B	Tubeless	26.3	7.8	1430	35	14x5.5	18.7
ST20514C-I	ST205/75D14	C	Tubeless	26.3	7.8	1760	50	14x5.5	20.1
ST21514C-I	ST215/75D14	C	Tubeless	26.3	8.4	1870	50	14x6.0	22.6
ST20515B-I	ST205/75D15	B	Tubeless	26.7	7.6	1480	35	15x5.5	19.4
ST20515C-I	ST205/75D15	C	Tubeless	26.7	7.6	1820	50	15x5.5	20.1
ST22515C-I	ST225/75D15	C	Tubeless	28.1	8.4	2150	50	15x6.0	24.1
ST22515D-I	ST225/75D15	D	Tubeless	28.1	8.4	2540	65	15x6.0	25.8

KR03 Karrier Radial



Part Number	Size	Ply Rating	Type	OD Inches	SW Inches	Maximum Load	Max PSI	Fits Rim Size	Shipping Weight
175R3C-I	ST175/80R13	C	Tubeless	24.1	7.0	1360	50	13x4.5	18.9
175R3D-I	ST175/80R13	D	Tubeless	24.1	7.0	1610	65	13x4.5	20.2
205R4C-I	ST205/75R14	C	Tubeless	26.3	8.1	1760	50	14x5.5	24.2
205R4D-I	ST205/75R14	D	Tubeless	26.3	8.1	2040	65	14x5.5	26.1
205R5C-I	ST205/75R15	C	Tubeless	27.3	8.1	1820	50	15x5.0	25.5
205R5D-I	ST205/75R15	D	Tubeless	27.3	8.1	2150	65	15x5.0	27.5
225R5C-I	ST225/75R15	C	Tubeless	28.4	8.9	2150	50	15x6.0	30.2
225R5D-I	ST225/75R15	D	Tubeless	28.4	8.9	2540	65	15x6.0	30.2
235R6D-I	ST235/80R16	D	Tubeless	30.9	9.4	3000	65	16x6.5	41.1
235R6E-I	ST235/80R16	E	Tubeless	30.9	9.4	3500	80	16x6.5	44.4

K397 Xtra-Grip



Part Number	Size	Ply Rating	Type	OD Inches	SW Inches	Maximum Load	Max PSI	Fits Rim Size	Shipping Weight
508B-XG-I	5.70-8	B	Tubeless	18.4	5.8	715	50	8x3.75	10.4

HIGH SPEED TRAILER TIRES



Kenda trailer tires are designed to improve handling and enhance the ride characteristics of the towed vehicle. Kenda trailer tires are continually inspected to ensure that they exceed Department of Transportation requirements!

K391M Light Truck



Part Number	Size	Ply Rating	Type	OD Inches	SW Inches	Maximum Load	Max PSI	Fits Rim Size	Shipping Weight
715-LRD-SW-I	7.00-15	D	Tubeless	31.6	8.4	2057	60	15x6.0	32.2

A550 Carrier Star



Part Number	Size	Ply Rating	Type	OD Inches	SW Inches	Maximum Load	Max PSI	Fits Rim Size	Shipping Weight
ST17513B-T	ST175/80D13	B	Tubeless	24.0	6.6	1100	35	13x4.5	15.0
ST17513C-T	ST175/80D13	C	Tubeless	24.0	6.6	1350	50	13x4.5	16.2
ST20514C-T	ST205/75D14	C	Tubeless	26.3	7.8	1760	50	14x5.5	20.1
ST20515C-T	ST205/75D15	C	Tubeless	26.7	7.6	1820	50	15x5.0	20.1
ST22515D-T	ST225/75D15	D	Tubeless	28.1	8.4	2540	65	15x6.0	25.8

Inner Tubes - Packaged

Part Number	Fits Tire Size	Case Quantity	Also Fits Tire Sizes	Valve Stem	Style	Shipping Weight
T408KHS	480-8	50		TR13	Straight	0.7
T508K	570-8	50		TR13	Straight	1.1
T609-13K	690-9	20		TR13	Straight	1.5
T810-KHS	20.5x8.00-10	20	205/65-10	TR13	Straight	2.3
T412K	480-12	50		TR13	Straight	1.1
T452K	530-12	50		TR13	Straight	1.2



Martin Wheel packaging is color coded for ease in identification for different applications

- Blue - High Speed

HIGH SPEED TRAILER WHEELS



All Martin Wheel High Speed Trailer Wheels meet the strict requirements for trailer wheels established by the Department of Transportation!

White Standard Wheels – 4 & 5 Hole



Part Number	Rim Size	Bolt Circle	Pilot Hole Diameter	Offset	Maximum Load	PSI	Shipping Weight
R-84	8x3.75	4x4.00	2.50"	0.0	910	75	4.4
R-85	8x3.75	5x4.50	2.81"	0.0	910	75	4.4
R-658-4	8x5.375	4x4.00	2.50"	.88 Neg	800	70	5.5
R-658-5	8x5.375	5x4.50	2.81"	.88 Neg	800	70	5.5
R-658C-4	8x5.375	4x4.00	2.50"	0.0	800	70	5.5
R-658C-5	8x5.375	5x4.50	2.81"	0.0	800	70	5.5
R-858-4	8x7.00	4x4.00	2.50"	0.0	935	50	6.0
R-858-5	8x7.00	5x4.50	2.81"	0.0	935	50	6.0
R-94	9x4.50	4x4.00	2.50"	0.0	1120	60	8.0
R-95	9x4.50	5x4.50	2.81"	0.0	1120	60	8.0
R-104	10x4.00	4x4.00	2.50"	0.0	1200	50	10.3
R-105	10x4.00	5x4.50	2.81"	0.0	1200	90	10.3
R-124	12x4.00	4x4.00	2.50"	0.0	1045	90	10.0
R-125	12x4.00	5x4.50	2.81"	0.0	1220	90	10.0
R-134	13x4.50	4x4.00	2.50"	0.0	1100	50	15.0
R-135	13x4.50	5x4.50	2.81"	0.0	1660	50	14.0
R-145	14x5.50	5x4.50	2.81"	0.0	1865	50	18.0
R-155	15x6.00	5x4.50	3.25"	0.0	2050	50	21.0

Fixed Hub Integral Wheels "The Logsplitter Wheel"



Part Number	Rim Size	Bearing Size	Hub Length	Offset	Maximum Load	PSI	Shipping Weight
W-81WB	8x3.75	1.00"	4.125"	Centered	910	75	6.8
W-83WB	8x3.75	.75"	4.125"	Centered	910	75	6.8

White Spoke Wheels – 4 & 5 Hole



Part Number	Rim Size	Bolt Circle	Pilot Hole Diameter	Offset	Maximum Load	PSI	Shipping Weight
R-124S	12x4.00	4x4.00	2.84"	0.0	1045	90	10.0
R-125S	12x4.00	5x4.50	3.19"	0.0	1045	90	10.0
R-134CS	13x4.50	4x4.00	2.65"	0.0	1100	50	15.0
R-135CS	13x4.50	5x4.50	3.19"	0.0	1600	65	15.0

HIGH SPEED TRAILER WHEELS



All Martin Wheel High Speed Trailer Wheels meet the strict requirements for trailer wheels established by the Department of Transportation!

White Spoke Wheels – 5, 6 & 8 Hole



Part Number	Rim Size	Bolt Circle	Pilot Hole Diameter	Offset	Maximum Load	PSI	Shipping Weight
R-145CS	14x5.50	5x4.50	3.19"	0.0	1865	50	20.0
R-155CS	15x6.00	5x4.50	3.19"	0.0	2050	75	22.0
R-155NCS	15X5.00	5x4.50	3.19"	0.0	1820	75	21.0
R-156CS	15x6.00	5x4.50	4.27"	0.0	2600	75	22.0
R-166CS	16x6.00	6x5.50	4.27"	0.0	3040	80	23.0
R-168CS	16x6.00	8x6.50	4.90"	0.0	3750	110	23.0

White Mini-Mod Wheels – 4, 5 & 6 Hole



Part Number	Rim Size	Bolt Circle	Pilot Hole Diameter	Offset	Maximum Load	PSI	Shipping Weight
R-124-MM	12x4.00	4x4.00	2.84"	0.0	1045	90	10.0
R-125-MM	12x4.00	5x4.50	3.19"	0.0	1045	90	10.0
R-134-MM	13x4.50	4x4.00	2.65"	0.0	1100	50	15.0
R-135-MM	13x4.50	5x4.50	3.19"	0.0	1600	65	15.0
R-145-MM	14x5.50	5x4.50	3.19"	0.0	1865	50	20.0
R-155-MM	15x6.00	5x4.50	3.19"	0.0	2050	75	22.0
R-155NMM	15X5.00	5x4.50	3.19"	0.0	1820	75	21.0
R-156-MM	15x6.00	6x5.50	4.27"	0.0	2600	75	22.0

Galvanized Wheels – 4 & 5 Hole



Part Number	Rim Size	Bolt Circle	Pilot Hole Diameter	Offset	Maximum Load	PSI	Shipping Weight
R-84-G	8x3.75	4x4.00	2.50"	0.0	910	75	4.4
R-85-G	8x3.75	5x4.50	2.81"	0.0	910	75	4.4
R-858-4-G	8x7.00	4x4.00	2.50"	0.0	935	50	6.0
R-858-5-G	8x7.00	5x4.50	2.81"	0.0	935	50	6.0

Galvanized Spoke Wheels – 4, 5 & 6 Hole



Part Number	Rim Size	Bolt Circle	Pilot Hole Diameter	Offset	Maximum Load	PSI	Shipping Weight
R-124S-G	12x4.00	4x4.00	2.84"	0.0	1045	90	10.0
R-125S-G	12x4.00	5x4.50	3.19"	0.0	1045	90	10.0
R-135S-G	13x4.50	5x4.50	3.19"	0.0	1600	65	15.0
R-145S-G	14x5.50	5x4.50	3.19"	0.0	1865	50	20.0
R-155S-G	15x6.00	5x4.50	3.19"	0.0	2050	75	22.0
R-156S-G	15x6.00	6x5.50	4.27"	0.0	2600	75	22.0

HIGH SPEED TRAILER WHEELS



All Martin Wheel High Speed Trailer Wheels meet the strict requirements for trailer wheels established by the Department of Transportation!

Aluminum Star Mag Wheels – 5 Hole



Part Number	Rim Size	Bolt Circle	Pilot Hole Diameter	Offset	Maximum Load	PSI	Shipping Weight
R-124-ASM-HC	12x4.00	4x4.00	2.80"	0.0	1220	80	11.0
R-125-ASM-HC	12x4.00	5x4.50	3.19"	0.0	1520	80	11.0
R-135-ASM-HC	13x5.00	5x4.50	3.19"	0.0	1660	65	13.0
R-145-ASM-HC	14x5.50	5x4.50	3.19"	0.0	1900	60	14.5
R-155-ASM-HC	15x6.00	5x4.50	3.19"	0.0	2150	80	21.0

Aluminum Mini-Mod Wheels – 5 Hole



Part Number	Rim Size	Bolt Circle	Pilot Hole Diameter	Offset	Maximum Load	PSI	Shipping Weight
R-145-MM-HC	14x5.50	5x4.50	3.19"	0.0	1900	60	14.5
R-155-MM-HC	15x6.00	5x4.50	3.19"	0.0	2150	80	21.0

Aluminum Directional Spoke Wheels – 5 Hole



Part Number	Rim Size	Bolt Circle	Pilot Hole Diameter	Offset	Maximum Load	PSI	Shipping Weight
R-135-AD-HC	13x5.00	5x4.50	3.19"	0.0	1660	65	15.0
R-145-AD-HC	14x5.50	5x4.50	3.19"	0.0	1900	60	15.0
R-155-AD-HC	15x6.00	5x4.50	3.19"	0.0	2150	80	21.0

Aluminum Seven Spoke Wheels – 5 Hole



Part Number	Rim Size	Bolt Circle	Pilot Hole Diameter	Offset	Maximum Load	PSI	Shipping Weight
R-135-AC7SHC	13x5.00	5x4.50	3.19"	0.0	1660	65	15.0
R-145-AC7SHC	14x5.50	5x4.50	3.19"	0.0	1900	60	15.0
R-155-AC7SHC	15x6.00	5x4.50	3.19"	0.0	2150	80	21.0

Aluminum Wheel Accessories

Part Number	Description	
HC4-AMS	CHROME CAP FOR 4 HOLE ALUMINUM WHEELS	0.3
HC-ASM	CHROME CAP FOR 5 HOLE ALUMINUM WHEELS	0.3
LUG-N CHROME	1/2-20 CHROME LUG NUT: FITS 12" ALUMINUM WHEELS	0.2
LUG-N CHROM2	1/2-20 CHROME LUG NUT: FITS 13", 14" & 15" ALUMINUM WHEELS	0.2
TR-413C	CHROME CLAD VALVE STEM FOR ALUMINUM WHEELS	0.1

HIGH SPEED TRAILER ASSEMBLIES



All Martin Wheel High Speed Trailer Tire and Wheel assemblies meet the strict requirements for trailer wheels established by the Department of Transportation!

White Standard Wheels – 4 Hole Kenda Loadstar Tires



Part Number	Tire Size	Load Range	Rim Size	Rim Offset	Bolt Circle	Max. Load at 62mph / 100kph	Maximum P.S.I.	Shipping Weight
DM408B-4I	480-8	B	8x3.75	0.00	4 x 4"	590	60	10.8
DM408C-4I	480-8	C	8x3.75	0.00	4 x 4"	745	90	12.8
DM508B-4I	570-8	B	8x3.75	0.00	4 x 4"	715	50	13.8
DM508C-4I	570-8	C	8x3.75	0.00	4 x 4"	910	75	15.0
DM609C-4I	690-9	C	9x4.00	0.00	4 x 4"	1120	60	25.0
DM412B-4I	480-12	B	12x4.00	0.00	4 x 4"	715	60	18.8
DM412C-4I	480-12	C	12x4.00	0.00	4 x 4"	910	90	20.5
DM452B-4I	530-12	B	12x4.00	0.00	4 x 4"	840	55	20.5
DM452C-4I	530-12	C	12x4.00	0.00	4 x 4"	1045	80	22.3
DM175D3B-4I	ST175/80D13	B	13x4.50	0.00	4 x 4"	1100	32	27.8

White Standard Wheels – 5 Hole Kenda Loadstar Tires



Part Number	Tire Size	Load Range	Rim Size	Rim Offset	Bolt Circle	Max. Load at 62mph / 100kph	Maximum P.S.I.	Shipping Weight
DM408B-5I	480-8	B	8x3.75	0.00	5 x 4-1/2"	590	60	10.8
DM408C-5I	480-8	C	8x3.75	0.00	5 x 4-1/2"	745	90	12.8
DM508B-5I	570-8	B	8x3.75	0.00	5 x 4-1/2"	715	50	13.8
DM508C-5I	570-8	C	8x3.75	0.00	5 x 4-1/2"	910	75	15.0
DM609C-5I	690-9	C	9x4.00	0.00	5 x 4-1/2"	1120	60	25.0
DM609E-5I	690-9	E	9x4.00	0.00	5 x 4-1/2"	1520	100	28.0
DM412B-5I	480-12	B	12x4.00	0.00	5 x 4-1/2"	715	60	18.8
DM412C-5I	480-12	C	12x4.00	0.00	5 x 4-1/2"	910	90	20.5
DM452B-5I	530-12	B	12x4.00	0.00	5 x 4-1/2"	840	55	20.5
DM452C-5I	530-12	C	12x4.00	0.00	5 x 4-1/2"	1045	80	22.3
DM175D3B-5I	ST175/80D13	B	13x4.50	0.00	5 x 4-1/2"	1100	32	27.8
DM175D3C-5I	ST175/80D13	C	13x4.50	0.00	5 x 4-1/2"	1360	50	28.0
DM175D3D-5I	ST175/80D13	D	13x4.50	0.00	5 x 4-1/2"	1610	65	33.0
DM185D3B-5I	ST185/80D13	B	13x4.50	0.00	5 x 4-1/2"	1480	50	32.0
DM185D3C-5I	ST185/80D13	C	13x4.50	0.00	5 x 4-1/2"	1725	65	33.0
DM205D4B-5I	ST205/75D14	B	14x5.50	0.00	5 x 4-1/2"	1430	35	41.0
DM205D4C-5I	ST205/75D14	C	14x5.50	0.00	5 x 4-1/2"	1760	50	41.0
DM205D5C-5I	ST205/75D15	C	15x5.00	0.00	5 x 4-1/2"	1820	50	42.0

HIGH SPEED TRAILER ASSEMBLIES



All Martin Wheel High Speed Trailer Tire and Wheel assemblies meet the strict requirements for trailer wheels established by the Department of Transportation!

White Standard Wheels – 4 Hole Kenda Loadstar K399 Tires



Part Number	Tire Size	Load Range	Rim Size	Rim Offset	Bolt Circle	Max. Load at 62mph / 100kph	Maximum P.S.I.	Shipping Weight
DM1658B-4I	165/65-8	B	8x5.375	.88 Neg	4 x 4"	620	45	13.0
DM1658C-4I	165/65-8	C	8x5.375	.88 Neg	4 x 4"	795	70	14.0
DM1658CB-4I	165/65-8	B	8x5.375	0.00	4 x 4"	620	45	13.0
DM1658CC-4I	165/65-8	C	8x5.375	0.00	4 x 4"	795	70	14.0
DM2568B-4I	215/60-8	B	8x7.00	0.00	4 x 4"	780	35	17.8
DM2568C-4I	215/60-8	C	8x7.00	0.00	4 x 4"	935	50	18.0
DM25610B-4I	205/65-10	B	10x6.00	0.00	4 x 4"	920	35	23.8
DM25610C-4I	205/65-10	C	10x6.00	0.00	4 x 4"	1110	50	23.8
DM25610E-4I	205/65-10	E	10x6.00	0.00	4 x 4"	1650	90	27.8

White Standard Wheels – 5 Hole Kenda Loadstar K399 Tires



Part Number	Tire Size	Load Range	Rim Size	Rim Offset	Bolt Circle	Max. Load at 62mph / 100kph	Maximum P.S.I.	Shipping Weight
DM1658B-5I	165/65-8	B	8x5.375	.88 Neg	5 x 4-1/2"	620	45	13.0
DM1658C-5I	165/65-8	C	8x5.375	.88 Neg	5 x 4-1/2"	795	70	14.0
DM1658CB-5I	165/65-8	B	8x5.375	0.00	5 x 4-1/2"	620	45	13.0
DM1658CC-5I	165/65-8	C	8x5.375	0.00	5 x 4-1/2"	795	70	14.0
DM2568B-5I	215/60-8	B	8x7.00	0.00	5 x 4-1/2"	780	35	17.8
DM2568C-5I	215/60-8	C	8x7.00	0.00	5 x 4-1/2"	935	50	18.0
DM25610B-5I	205/65-10	B	10x6.00	0.00	5 x 4-1/2"	920	35	23.8
DM25610C-5I	205/65-10	C	10x6.00	0.00	5 x 4-1/2"	1110	50	23.8
DM25610E-5I	205/65-10	E	10x6.00	0.00	5 x 4-1/2"	1650	90	27.8

White Spoke Wheels – 4 Hole Loadstar Trailer Tires



Part Number	Tire Size	Load Range	Rim Size	Rim Offset	Bolt Circle	Max. Load at 62mph / 100kph	Maximum P.S.I.	Shipping Weight
DM412B-4C-I	480-12	B	12x4.00	0.00	4 x 4"	715	60	18.8
DM412C-4C-I	480-12	C	12x4.00	0.00	4 x 4"	910	90	20.5
DM452B-4C-I	530-12	B	12x4.00	0.00	4 x 4"	840	55	20.5
DM452C-4C-I	530-12	C	12x4.00	0.00	4 x 4"	1045	80	22.3
DM175D3B-4CI	ST175/80D13	B	13x4.50	0.00	4 x 4"	1100	35	29.0

HIGH SPEED TRAILER ASSEMBLIES



All Martin Wheel High Speed Trailer Tire and Wheel assemblies meet the strict requirements for trailer wheels established by the Department of Transportation!

White Spoke Wheels – 5 Hole Kenda Loadstar Tires



Part Number	Tire Size	Load Range	Rim Size	Rim Offset	Bolt Circle	Max. Load at 62mph / 100kph	Maximum P.S.I.	Shipping Weight
DM412B-5C-I	480-12	B	12x4.00	0.00	5 x 4-1/2"	715	60	18.0
DM412C-5C-I	480-12	C	12x4.00	0.00	5 x 4-1/2"	910	90	20.5
DM452B-5C-I	530-12	B	12x4.00	0.00	5 x 4-1/2"	840	55	20.5
DM452C-5C-I	530-12	C	12x4.00	0.00	5 x 4-1/2"	1045	80	22.5
DM175D3B-C-I	ST175/80D13	B	13x4.50	0.00	5 x 4-1/2"	1100	35	29.0
DM175D3C-C-I	ST175/80D13	C	13x4.50	0.00	5 x 4-1/2"	1360	50	32.0
DM185D3C-5CI	ST185/80D13	C	13x4.50	0.00	5 x 4-1/2"	1480	50	32.0
DM185D3D-5CI	ST185/80D13	D	13x4.50	0.00	5 x 4-1/2"	1660	65	41.0
DM205D4B-5CI	ST205/75D14	B	14x5.50	0.00	5 x 4-1/2"	1430	35	42.0
DM205D4C-5CI	ST205/75D14	C	14x5.50	0.00	5 x 4-1/2"	1760	50	45.0
DM205D5B-5CI	ST205/75D15	B	15x5.00	0.00	5 x 4-1/2"	1480	35	47.0
DM205D5C-5CI	ST205/75D15	C	15x5.00	0.00	5 x 4-1/2"	1820	50	52.0
DM225D5C-5CI	ST225/75D15	C	15x6.00	0.00	5 x 4-1/2"	2150	50	52.0

White Standard Wheels – 6 Hole Kenda Loadstar Tires

Part Number	Tire Size	Load Range	Rim Size	Rim Offset	Bolt Circle	Max. Load at 62mph / 100kph	Maximum P.S.I.	Shipping Weight
DM225D5D-6CI	ST225/75D15	D	15x6.00	0.00	6x5-1/2"	2540	65	52.0

White Mini-Mod Wheels – 4 Hole Kenda Loadstar Tires



Part Number	Tire Size	Load Range	Rim Size	Rim Offset	Bolt Circle	Max. Load at 62mph / 100kph	Maximum P.S.I.	Shipping Weight
DM412B-4MM	480-12	B	12x4.00	0.00	4 x 4"	715	60	18.8
DM412C-4MM	480-12	C	12x4.00	0.00	4 x 4"	910	90	20.5
DM452B-4MM	530-12	B	12x4.00	0.00	4 x 4"	840	55	18.8
DM452C-4MM	530-12	C	12x4.00	0.00	4 x 4"	1045	80	20.8
DM175D3B-4MM	ST175/80D13	B	13x4.50	0.00	4 x 4"	1100	35	29.0

HIGH SPEED TRAILER ASSEMBLIES



All Martin Wheel High Speed Trailer Tire and Wheel assemblies meet the strict requirements for trailer wheels established by the Department of Transportation!

White Mini-Mod Wheels – 5 Hole Kenda Loadstar Tires



Part Number	Tire Size	Load Range	Rim Size	Rim Offset	Bolt Circle	Max. Load at 62mph / 100kph	Maximum P.S.I.	Shipping Weight
DM412B-5MM	480-12	B	12x4.00	0.00	5 x 4-1/2"	715	60	18.8
DM412C-5MM	480-12	C	12x4.00	0.00	5 x 4-1/2"	910	90	20.5
DM452B-5MM	530-12	B	12x4.00	0.00	5 x 4-1/2"	840	55	18.8
DM452C-5MM	530-12	C	12x4.00	0.00	5 x 4-1/2"	1045	80	20.5
DM175D3B-5MM	ST175/80D13	B	13x4.50	0.00	5 x 4-1/2"	1100	35	29.0
DM175D3C-5MM	ST175/80D13	C	13x4.50	0.00	5 x 4-1/2"	1360	50	31.0
DM175D3D-5MM	ST175/80D13	D	13x4.50	0.00	5 x 4-1/2"	1610	65	32.0
DM185D3C-5MM	ST185/80D13	C	13x4.50	0.00	5 x 4-1/2"	1480	50	32.0
DM185D3D-5MM	ST185/80D13	D	13x4.50	0.00	5 x 4-1/2"	1660	65	33.0
DM205D4B-5MM	ST205/75D14	B	14x5.50	0.00	5 x 4-1/2"	1430	35	41.0
DM205D4C-5MM	ST205/75D14	C	14x5.50	0.00	5 x 4-1/2"	1760	50	42.0
DM205D5B-5MM	ST205/75D15	B	15x5.00	0.00	5 x 4-1/2"	1480	35	45.0
DM205D5C-5MM	ST205/75D15	C	15x5.00	0.00	5 x 4-1/2"	1820	50	47.0
DM225D5C-5MM	ST225/75D15	C	15x6.00	0.00	5 x 4-1/2"	2150	50	52.0

White Mini-Mod Wheels – 6 Hole Kenda Loadstar Tires



Part Number	Tire Size	Load Range	Rim Size	Rim Offset	Bolt Circle	Max. Load at 62mph / 100kph	Maximum P.S.I.	Shipping Weight
DM225D5D-6MM	ST225/75D15	D	15x6.00	0.00	6 x 5-1/2"	2540	65	52.0

Galvanized Wheels – 4 Hole Kenda Loadstar Tires



Part Number	Tire Size	Load Range	Rim Size	Rim Offset	Bolt Circle	Max. Load at 62mph / 100kph	Maximum P.S.I.	Shipping Weight
DM408B-4G-I	480-8	B	8x3.75	0.00	4 x 4"	590	60	10.8
DM408C-4G-I	480-8	C	8x3.75	0.00	4 x 4"	760	90	12.8
DM508B-4G-I	570-8	B	8x3.75	0.00	4 x 4"	715	50	13.8
DM508C-4G-I	570-8	C	8x3.75	0.00	4 x 4"	910	75	15.0
DM2568B-4G-I	215/60-8	B	8x7.00	0.00	4 x 4"	780	35	17.8
DM2568C-4G-I	215/60-8	C	8x7.00	0.00	4 x 4"	935	50	18.0
DM25610B-4G-I	205/65-10	B	10x6.00	0.00	4 x 4"	910	35	23.8
DM25610C-4G-I	205/65-10	C	10x6.00	0.00	4 x 4"	1100	50	23.8
DM25610E-4G-I	205/65-10	E	10x6.00	0.00	4 x 4"	1650	90	27.8

HIGH SPEED TRAILER ASSEMBLIES



All Martin Wheel High Speed Trailer Tire and Wheel assemblies meet the strict requirements for trailer wheels established by the Department of Transportation!

Galvanized Wheels – 5 Hole Kenda Loadstar Tires



Part Number	Tire Size	Load Range	Rim Size	Rim Offset	Bolt Circle	Max. Load at 62mph / 100kph	Maximum P.S.I.	Shipping Weight
DM408B-5G-I	480-8	B	8x3.75	0.00	5 x 4-1/2"	590	60	10.8
DM408C-5G-I	480-8	C	8x3.75	0.00	5 x 4-1/2"	760	90	12.8
DM508B-5G-I	570-8	B	8x3.75	0.00	5 x 4-1/2"	715	50	13.8
DM508C-5G-I	570-8	C	8x3.75	0.00	5 x 4-1/2"	910	75	15.0
DM2568B-5G-I	215/60-8	B	8x7.00	0.00	5 x 4-1/2"	780	35	17.8
DM2568C-5G-I	215/60-8	C	8x7.00	0.00	5 x 4-1/2"	935	50	18.0
DM25610B-5G-I	205/65-10	B	10x6.00	0.00	5 x 4-1/2"	910	35	23.8
DM25610C-5G-I	205/65-10	C	10x6.00	0.00	5 x 4-1/2"	1100	50	23.7
DM25610E-5G-I	205/65-10	E	10x6.00	0.00	5 x 4-1/2"	1650	90	27.8

Galvanized Spoke Wheels – 4 Hole Kenda Loadstar Tires



Part Number	Tire Size	Load Range	Rim Size	Rim Offset	Bolt Circle	Max. Load at 62mph / 100kph	Maximum P.S.I.	Shipping Weight
DM412B-4G-I	480-12	B	12x4.00	0.00	4 x 4"	715	60	18.8
DM412C-4G-I	480-12	C	12x4.00	0.00	4 x 4"	910	90	20.5
DM452B-4G-I	530-12	B	12x4.00	0.00	4 x 4"	840	55	20.5
DM452C-4G-I	530-12	C	12x4.00	0.00	4 x 4"	1045	80	20.5

Galvanized Spoke Wheels – 5 Hole Kenda Loadstar Tires



Part Number	Tire Size	Load Range	Rim Size	Rim Offset	Bolt Circle	Max. Load at 62mph / 100kph	Maximum P.S.I.	Shipping Weight
DM412B-5G-I	480-12	B	12x4.00	0.00	5 x 4-1/2"	715	60	18.8
DM412C-5G-I	480-12	C	12x4.00	0.00	5 x 4-1/2"	910	90	20.5
DM452B-5G-I	530-12	B	12x4.00	0.00	5 x 4-1/2"	840	55	20.5
DM452C-5G-I	530-12	C	12x4.00	0.00	5 x 4-1/2"	1045	80	20.5
DM175D3B-5GI	ST175/80D13	B	13x4.50	0.00	5 x 4-1/2"	1100	35	29.0
DM175D3C-5GI	ST175/80D13	C	13x4.50	0.00	5 x 4-1/2"	1360	50	31.0
DM185D3C-5GI	ST185/80D13	C	13x4.50	0.00	5 x 4-1/2"	1480	50	33.0
DM185D3D-5GI	ST185/80D13	D	13x4.50	0.00	5 x 4-1/2"	1725	65	34.0
DM205D4B-5GI	ST205/75D14	B	14x5.50	0.00	5 x 4-1/2"	1430	35	42.0
DM205D4C-5GI	ST205/75D14	C	14x5.50	0.00	5 x 4-1/2"	1760	50	47.0
DM205D5B-5GI	ST205/75D15	B	15x6.00	0.00	5 x 4-1/2"	1480	35	47.0
DM205D5C-5GI	ST205/75D15	C	15x6.00	0.00	5 x 4-1/2"	1820	50	49.0

HIGH SPEED TRAILER ASSEMBLIES



All Martin Wheel High Speed Trailer Tire and Wheel assemblies meet the strict requirements for trailer wheels established by the Department of Transportation!

Galvanized Spoke Wheels – 6 Hole Kenda Loadstar Tires



Part Number	Tire Size	Load Range	Rim Size	Rim Offset	Bolt Circle	Max. Load at 62mph / 100kph	Maximum P.S.I.	Shipping Weight
DM225D5C-6G-I	ST225/75D15	C	15x6.00	0.00	6 x 5-1/2"	2150	50	52.0
DM225D5D-6G-I	ST225/75D15	D	15x6.00	0.00	6 x 5-1/2"	2540	65	52.0

Concrete Buggy Wheel - 4 or 5 Hole Kenda Xtra-Grip Tires



Part Number	Tire Size	Load Range	Rim Size	Rim Offset	Bolt Circle	Max. Load at 62mph / 100kph	Maximum P.S.I.	Shipping Weight
DM508B-4XG-I	570-8	B	8x3.75	0.00	4 x 4"	715	50	15.8
DM508B-5XG-I	570-8	B	8x3.75	0.00	5 x 4-1/2"	715	50	15.8

Log Splitter Wheel Kenda Loadstar Tires

All Log Splitter wheels assemblies come complete with tapered cup & cone bearings, grease seal and grease cap.



Part Number	Tire Size	Load Range	Rim Size	Rim Offset	Bolt Circle	Max. Load at 62mph / 100kph	MAX P.S.I.	Shipping Weight
HS408A-11	480-8	A	8x3.75	1" Tapered Cup & Cone 4-1/8	Fixed Hub Integral Rim	390	30	12.0
HS408B-11	480-8	B	8x3.75	1" Tapered Cup & Cone 4-1/8 Ctd	Fixed Hub Integral Rim	590	60	12.8
HS408C-11	480-8	C	8x3.75	1" Tapered Cup & Cone 4-1/8 Ctd	Fixed Hub Integral Rim	760	90	14.8
HS508B-11	570-8	B	8x3.75	1" Tapered Cup & Cone 4-1/8 Ctd	Fixed Hub Integral Rim	715	50	15.5
HS508C-11	570-8	C	8x3.75	1" Tapered Cup & Cone 4-1/8 Ctd	Fixed Hub Integral Rim	910	75	17.0
HS408A-34I	480-8	A	8x3.75	3/4" Tapered Cup & Cone 4-1/8 Ctd	Fixed Hub Integral Rim	390	30	12.0
HS408B-34I	480-8	B	8x3.75	3/4" Tapered Cup & Cone 4-1/8 Ctd	Fixed Hub Integral Rim	590	60	12.8
HS408C-34I	480-8	C	8x3.75	3/4" Tapered Cup & Cone 4-1/8 Ctd	Fixed Hub Integral Rim	760	90	14.8
HS508B-34I	570-8	B	8x3.75	3/4" Tapered Cup & Cone 4-1/8 Ctd	Fixed Hub Integral Rim	715	50	15.5
HS508C-34I	570-8	C	8x3.75	3/4" Tapered Cup & Cone 4-1/8 Ctd	Fixed Hub Integral Rim	910	75	17.0

White Standard Wheels – 5 Hole Kenda Karrier Radial Tires



Part Number	Tire Size	Load Range	Rim Size	Rim Offset	Bolt Circle	Max. Load at 62mph / 100kph	Maximum P.S.I.	Shipping Weight
DM175R3C-5I	ST175/80R13	C	13x4.50	0.00	5 x 4-1/2"	1360	50	
DM175R3D-5I	ST175/80R13	D	13x4.50	0.00	5 x 4-1/2"	1610	65	
DM205R4C-5I	ST205/75R14	C	14x5.50	0.00	5 x 4-1/2"	1760	50	
DM215R4C-5I	ST215/75R14	C	14x5.50	0.00	5 x 4-1/2"	1870	50	
DM205R5C-5I	ST205/75R15	C	15x5.00	0.00	5 x 4-1/2"	1820	50	

HIGH SPEED TRAILER ASSEMBLIES



All Martin Wheel High Speed Trailer Tire and Wheel assemblies meet the strict requirements for trailer wheels established by the Department of Transportation!

White Spoke Wheels – 5 Hole Kenda Karrier Radial Tires



Part Number	Tire Size	Load Range	Rim Size	Rim Offset	Bolt Circle	Max. Load at 62mph / 100kph	Maximum P.S.I.	Shipping Weight
DM175R3C-5CI	ST175/80R13	C	13x4.00	0.00	5 x 4-1/2"	1360	50	30.0
DM175R3D-5CI	ST175/80R13	D	13x4.00	0.00	5 x 4-1/2"	1610	65	33.0
DM205R4C-5CI	ST205/75R14	C	14x5.50	0.00	5 x 4-1/2"	1760	50	42.0
DM215R4C-5CI	ST215/75R14	C	14x5.50	0.00	5 x 4-1/2"	1760	50	44.0
DM205R5C-5CI	ST205/75R15	C	15x6.00	0.00	5 x 4-1/2"	1820	50	44.0
DM225R5C-5CI	ST225/75R15	C	15x6.00	0.00	5 x 4-1/2"	2150	50	46.0

White Spoke Wheels – 6 Hole Kenda Karrier Radial Tires



Part Number	Tire Size	Load Range	Rim Size	Rim Offset	Bolt Circle	Max. Load at 62mph / 100kph	Maximum P.S.I.	Shipping Weight
DM205R5D-6CI	ST205/75R15	D	15x6.00	0.00	6 x 5-1/2"	2150	65	52.0
DM225R5D-6CI	ST225/75R15	D	15x6.00	0.00	6 x 5-1/2"	2540	65	52.0
DM235R6D-6CI	ST235/80R16	D	16x6.00	0.00	6 x 5-1/2"	3000	65	60.0

White Spoke Wheels – 8 Hole Kenda Karrier Radial Tires



Part Number	Tire Size	Load Range	Rim Size	Rim Offset	Bolt Circle	Max. Load at 62mph / 100kph	Maximum P.S.I.	Shipping Weight
DM235R6D-8CI	ST235/80R16	D	16x6.00	0.00	8 x 6-1/2"	3000	65	60.0
DM235R6E-8CI	ST235/80R16	E	16x6.00	0.00	8 x 6-1/2"	3500	90	60.0

HIGH SPEED TRAILER ASSEMBLIES



All Martin Wheel High Speed Trailer Tire and Wheel assemblies meet the strict requirements for trailer wheels established by the Department of Transportation!

White Mini-Mod Wheels - 5 Hole Kenda Karrier Radial Tires



Part Number	Tire Size	Load Range	Rim Size	Rim Offset	Bolt Circle	Max. Load at 62mph / 100kph	Maximum P.S.I.	Shipping Weight
DM175R3C-5MI	ST175/80R13	C	13x4.50	0.00	5 x 4-1/2"	1360	50	31.0
DM175R3D-5MM	ST175/80R13	D	13x4.50	0.00	5 x 4-1/2"	1610	65	33.0
DM205R4C-5MI	ST205/75R14	C	14x5.50	0.00	5 x 4-1/2"	1760	50	48.0
DM205R5C-5MI	ST205/75R15	C	15x5.00	0.00	5 x 4-1/2"	1820	50	48.0
DM205R5D-5MM	ST205/75R15	D	15x6.00	0.00	5 x 4-1/2"	2150	65	51.0

White Mini-Mod Wheels - 6 Hole Kenda Karrier Radial Tires



Part Number	Tire Size	Load Range	Rim Size	Rim Offset	Bolt Circle	Max. Load at 62mph / 100kph	Maximum P.S.I.	Shipping Weight
DM225R5C-6MI	ST225/75R15	C	15x6.00	0.00	6 x 5-1/2"	2150	50	53.0
DM225R5D-6MI	ST225/75R15	D	15x6.00	0.00	6 x 5-1/2"	2540	65	55.0
DM235R6D-6MM	ST235/80R16	D	16x6.00	0.00	6 x 5-1/2"	3000	65	67.0
DM235R6E-6MM	ST235/80R16	E	16x6.00	0.00	6 x 5-1/2"	3500	90	67.0

White Mini-Mod Wheels - 8 Hole Kenda Karrier Radial Tires



Part Number	Tire Size	Load Range	Rim Size	Rim Offset	Bolt Circle	Max. Load at 62mph / 100kph	Maximum P.S.I.	Shipping Weight
DM235R6D-8MM	ST235/80R16	D	16x6.00	0.00	8 x 6-1/2"	3000	65	67.0
DM235R6E-8MM	ST235/80R16	E	16x6.00	0.00	8 x 6-1/2"	3500	90	67.0

HIGH SPEED TRAILER ASSEMBLIES



All Martin Wheel High Speed Trailer Tire and Wheel assemblies meet the strict requirements for trailer wheels established by the Department of Transportation!

White Standard Wheels – 4 or 5 Hole Carrier Star Tires



Part Number	Tire Size	Load Range	Rim Size	Rim Offset	Bolt Circle	Max. Load at 62mph / 100kph	Maximum P.S.I.	Shipping Weight
DM175D3B-4T	ST175/80D-13	B	13x4.50	0.00	4 x 4"	1100	50	28.0
DM175D3B-5T	ST175/80D-13	B	13x4.50	0.00	5 x 4-1/2"	1100	50	28.0
DM175D3C-5T	ST175/80D-13	C	13x4.50	0.00	5 x 4-1/2"	1360	65	32.0
DM205D4C-5T	ST205/75D-14	C	14x5.50	0.00	5 x 4-1/2"	1760	50	42.0
DM205D5C-5T	ST205/75D-15	C	15x6.00	0.00	5 x 4-1/2"	1820	50	42.0

White Spoke Wheels - 4, 5 & 6 Hole Carrier Star Tires



Part Number	Tire Size	Load Range	Rim Size	Rim Offset	Bolt Circle	Max. Load at 62mph / 100kph	Maximum P.S.I.	Shipping Weight
DM175D3B-4CT	ST175/80D13	B	13x4.50	0.00	4 x 4"	1100	35	28.0
DM175D3B-5CT	ST175/80D13	B	13x4.50	0.00	5 x 4-1/2"	1100	35	28.0
DM175D3C-5CT	ST175/80D13	C	13x4.50	0.00	5 x 4-1/2"	1360	50	28.0
DM205D4C-5CT	ST205/75D14	C	14x5.50	0.00	5 x 4-1/2"	1760	50	42.0
DM205D5C-5CT	ST205/75D15	C	15x5.00	0.00	5 x 4-1/2"	1820	50	42.0
DM225D5D-6CT	ST225/75D15	D	15x6.00	0.00	6 x 5-1/2"	2540	65	52.0

White Mini-Mod Wheels – 4, 5 & 6 Hole Carrier Star Tires



Part Number	Tire Size	Load Range	Rim Size	Rim Offset	Bolt Circle	Max. Load at 62mph / 100kph	Maximum P.S.I.	Shipping Weight
DM175D3B4MMT	ST175/80D13	B	13x4.50	0.00	4 x 4"	1100	35	28.0
DM175D3B5MMT	ST175/80D13	B	13x4.50	0.00	5 x 4-1/2"	1100	35	28.0
DM175D3C5MMT	ST175/80D13	C	13x4.50	0.00	5 x 4-1/2"	1360	50	28.0
DM205D4C5MMT	ST205/75D14	C	14x5.50	0.00	5 x 4-1/2"	1760	50	42.0
DM205D5C5MMT	ST205/75D15	C	15x5.00	0.00	5 x 4-1/2"	1820	50	42.0
DM225D5D6MMT	ST225/75D15	D	15x6.00	0.00	6 x 5-1/2"	2540	65	52.0

Galvanized Spoke Wheels – 5 & 6 Hole Carrier Star Tires



Part Number	Tire Size	Load Range	Rim Size	Rim Offset	Bolt Circle	Max. Load at 62mph / 100kph	Maximum P.S.I.	Shipping Weight
DM175D3B-5G-T	ST175/80D13	B	13x4.50	0.00	5 x 4-1/2"	1100	35	29.0
DM175D3C-5G-T	ST175/80D13	C	13x4.50	0.00	5 x 4-1/2"	1360	50	32.0
DM205D4C-5G-T	ST205/75D14	C	14x5.50	0.00	5 x 4-1/2"	1760	50	42.0
DM205D5C-5G-T	ST205/75D15	C	15x6.00	0.00	5 x 4-1/2"	1820	50	42.0
DM225D5D-6G-T	ST225/75D15	D	15x6.00	0.00	6 x 5-1/2"	2540	65	52.0

HIGH SPEED TRAILER ASSEMBLIES



All Martin Wheel High Speed Trailer Tire and Wheel assemblies meet the strict requirements for trailer wheels established by the Department of Transportation!

Aluminum Star Mag Wheels – 4 Hole Kenda Loadstar Tires



Part Number	Tire Size	Load Range	Rim Size	Rim Offset	Bolt Circle	Max. Load at 62mph / 100kph	Maximum P.S.I.	Shipping Weight
DM412B-4ASM	480-12	B	12x4.00	0.00	4 x 4"	780	60	18.0
DM412C-4ASM	480-12	C	12x4.00	0.00	4 x 4"	990	90	18.0
DM452B-4ASM	530-12	B	12x4.00	0.00	4 x 4"	840	55	20.0
DM452C-4ASM	530-12	C	12x4.00	0.00	4 x 4"	1045	80	20.0

Aluminum Star Mag Wheels – 5 Hole Kenda Loadstar Tires



Part Number	Tire Size	Load Range	Rim Size	Rim Offset	Bolt Circle	Max. Load at 62mph / 100kph	Maximum P.S.I.	Shipping Weight
DM412B-5ASM	480-12	B	12x4.00	0.00	5 x 4-1/2"	785	60	20.0
DM412C-5ASM	480-12	C	12x4.00	0.00	5 x 4-1/2"	990	90	21.0
DM452B-5ASM	530-12	B	12x4.00	0.00	5 x 4-1/2"	840	55	21.0
DM452C-5ASM	530-12	C	12x4.00	0.00	5 x 4-1/2"	1045	80	22.0
DM175D3C-5SM	ST175/80D-13	C	13x5.00	0.00	5 x 4-1/2"	1360	50	32.0
DM205D4C-5SM	ST205/75D-14	C	14x5.50	0.00	5 x 4-1/2"	1760	50	33.0
DM205D5C-5SM	ST205/75D-15	C	15x6.00	0.00	5 x 4-1/2"	1820	50	38.0

Aluminum Mini-Mod Wheels – 5 Hole Kenda Loadstar Tires



Part Number	Tire Size	Load Range	Rim Size	Rim Offset	Bolt Circle	Max. Load at 62mph / 100kph	Maximum P.S.I.	Shipping Weight
DM205D4C5AMM	ST207/75D-14	C	14x5.50	0.00	5 x 4-1/2"	1760	50	38.0
DM205D5C5AMM	ST205/75D-15	C	15x6.00	0.00	5 x 4-1/2"	1820	50	38.0

Aluminum Directional Spoke Wheels – 5 Hole Kenda Loadstar Tires



Part Number	Tire Size	Load Range	Rim Size	Rim Offset	Bolt Circle	Max. Load at 62mph / 100kph	Maximum P.S.I.	Shipping Weight
DM175D3C-5AD	ST175/80D-13	C	13x5.00	0.00	5 x 4-1/2"	1360	50	32.0
DM205D4C-5AD	ST205/75D-14	C	14x5.50	0.00	5 x 4-1/2"	1760	50	38.0
DM205D5C-5AD	ST205/75D-15	C	15x6.00	0.00	5 x 4-1/2"	1820	50	38.0

HIGH SPEED TRAILER ASSEMBLIES



All Martin Wheel High Speed Trailer Tire and Wheel assemblies meet the strict requirements for trailer wheels established by the Department of Transportation!

Aluminum Seven Spoke Wheels – 5 Hole Kenda Loadstar Tires



Part Number	Tire Size	Load Range	Rim Size	Rim Offset	Bolt Circle	Max. Load at 62mph / 100kph	Maximum P.S.I.	Shipping Weight
DM175D3C5C7S	ST175/80D-13	C	13x5.00	0.00	5 x 4-1/2"	1360	50	32.0
DM205D4C5C7S	ST205/75D-14	C	14x5.50	0.00	5 x 4-1/2"	1760	50	38.0
DM205D5C5A7S	ST205/75D-15	C	15x6.00	0.00	5 x 4-1/2"	1820	50	38.0

Aluminum Star Mag Wheels – 5 Hole Kenda Karrier Radial Tires



Part Number	Tire Size	Load Range	Rim Size	Rim Offset	Bolt Circle	Max. Load at 62mph / 100kph	Maximum P.S.I.	Shipping Weight
DM175R3C-5SM	ST175/80R-13	C	13x5.00	0.00	5 x 4-1/2"	1360	50	32.0
DM205R4C-5SM	ST205/75R-14	C	14x5.50	0.00	5 x 4-1/2"	1760	50	36.0
DM205R5C-5SM	ST205/75R-15	C	15x6.00	0.00	5 x 4-1/2"	1820	50	36.0

Aluminum Seven Spoke Wheels – 5 Hole Kenda Karrier Radial Tires



Part Number	Tire Size	Load Range	Rim Size	Rim Offset	Bolt Circle	Max. Load at 62mph / 100kph	Maximum P.S.I.	Shipping Weight
DM175R3C5C7S	ST175/80R-13	C	13x5.00	0.00	5 x 4-1/2"	1360	50	32.0
DM205R4C5C7S	ST205/75R-14	C	14x5.50	0.00	5 x 4-1/2"	1760	50	36.0
DM205R5C5C7S	ST205/75R-15	C	15x6.00	0.00	5 x 4-1/2"	1820	50	36.0

Aluminum Directional Spoke Wheels – 5 Hole Kenda Karrier Radial Tires



Part Number	Tire Size	Load Range	Rim Size	Rim Offset	Bolt Circle	Max. Load at 62mph / 100kph	Maximum P.S.I.	Shipping Weight
DM175R3C-5AD	ST175/80R-13	C	13x5.00	0.00	5 x 4-1/2"	1360	50	32.0
DM205R4C-5AD	ST205/75R-14	C	14x5.50	0.00	5 x 4-1/2"	1760	50	36.0
DM205R5C-5AD	ST205/75R-15	C	15x6.00	0.00	5 x 4-1/2"	1820	50	36.0

Aluminum Mini-Mod Wheels – 5 Hole Kenda Karrier Radial Tires



Part Number	Tire Size	Load Range	Rim Size	Rim Offset	Bolt Circle	Max. Load at 62mph / 100kph	Maximum P.S.I.	Shipping Weight
DM205R4C5AMM	ST205/75R-14	C	14x5.50	0.00	5 x 4-1/2"	1760	50	36.0
DM205R5C5AMM	ST205/75R-15	C	15x6.00	0.00	5 x 4-1/2"	1820	50	36.0

HIGH SPEED TRAILER ACCESSORIES



Trailer Hubs

Part Number	Bolt Circle	Fits MWC Spindle	Fits MWC Rims	Bearings Inner/Outer	Maximum Load	Shipping Weight
H4-C	4x4.00	SA-1	R-84; R-658-4; R-658C-4; R104; R-124; R-134	L44643 Inner L44643 Outer	1250	4.0
H4-C-PB	4x4.00	SA-1	R-84; R-658-4; R-658C-4; R104; R-124; R-134	L44643 Inner L44643 Outer	1250	4.0
H46-C	4x4.00	SA-116	R-84; R-658-4; R-658C-4; R104; R-124; R-134	L44649 Inner L44649 Outer	1350	4.0
H46-C-PB	4x4.00	SA-116	R-84; R-658-4; R-658C-4; R104; R-124; R-134	L44649 Inner L44649 Outer	1350	4.0
H5-C	5x4.50	SA-1	R-85; R-658-5; R-658C-5; R-858-5; R-105; R-125	L44643 Inner L44643 Outer	1250	4.1
H5-C-PB	5x4.50	SA-1	R-85; R-658-5; R-658C-5; R-858-5; R-105; R-125	L44643 Inner L44643 Outer	1250	4.1
H56-C	5x4.50	SA-116	R-85; R-658-5; R-658C-5; R-858-5; R-105; R-125	L44649 Inner L44649 Outer	1350	4.1
H56-C-PB	5x4.50	SA-116	R-85; R-658-5; R-658C-5; R-858-5; R-105; R-125	L44649 Inner L44649 Outer	1350	4.1
H812	5x4.50	SA-125	R-85; R-658-5; R-658C-5; R-858-5; R-105; R-125	LM67048 Inner LM67048 Outer	1250	4.4
H545-UHI	5x4.50	SA-545UHI	R-135; R-145; R-155	L68149 Inner L44649 Outer	1750	8.8
H4-C-B	4x4.00	SA-1	R-84; R-658-4; R-658C-4; R104; R-124; R-134	L44643 Inner L44643 Outer	1250	4.0
H4-C-PB-B	4x4.00	SA-1	R-84; R-658-4; R-658C-4; R104; R-124; R-134	L44643 Inner L44643 Outer	1250	4.0
H46-C-B	4x4.00	SA-116	R-84; R-658-4; R-658C-4; R104; R-124; R-134	L44649 Inner L44649 Outer	1350	4.0
H46-C-PB-B	4x4.00	SA-116	R-84; R-658-4; R-658C-4; R104; R-124; R-134	L44649 Inner L44649 Outer	1350	4.0
H5-C-B	5x4.50	SA-1	R-85; R-658-5; R-658C-5; R-858-5; R-105; R-125	L44643 Inner L44643 Outer	1250	4.1
H5-C-PB-B	5x4.50	SA-1	R-85; R-658-5; R-658C-5; R-858-5; R-105; R-125	L44643 Inner L44643 Outer	1250	4.1
H56-C-B	5x4.50	SA-116	R-85; R-658-5; R-658C-5; R-858-5; R-105; R-125	L44649 Inner L44649 Outer	1350	4.1
H56-C-PB-B	5x4.50	SA-116	R-85; R-658-5; R-658C-5; R-858-5; R-105; R-125	L44649 Inner L44649 Outer	1350	4.1
H812-B	5x4.50	SA-125	R-85; R-658-5; R-658C-5; R-858-5; R-105; R-125	LM67048 Inner LM67048 Outer	1250	4.4
H545UHI-B	5x4.50	SA-545UHI	R-135; R-145; R-155	L68149 Inner L44649 Outer	1750	8.8

HIGH SPEED TRAILER ACCESSORIES



Spindles



Part Number	Description	Use Slotted Hex Nut	Maximum Load	Shipping Weight
SA-1	1" Round x 8-1/2" Long - Fits 1-1/4" ID Round Tubing	AN-1	1000	2.5
SA-116	1-1/16" Round x 8-1/2" Long - Fits 1-1/4" ID Round Tubing	AN-1	1150	2.8
SA-125	1-1/4" Round x 8-1/2" Long - Fits 1-1/2" ID Round Tubing	AN-1	1500	3.8
SA-545UHI	1-3/8" to 1-1/16" Round x 6" Long - Butt Weld Stub Type	AN-1	1750	2.8

Trailer Axle End Pieces

Part Number	Description	Maximum Load	Shipping Weight
H-110002	4 Stud RV Hub - Complete with 4" Bolt Circle Studded Hub, 1" Straight Spindle and Pre-Lubricated Bearings	1250	7.0
H-115002	5 Stud RV Hub - Complete with 4-1/2" Bolt Circle Studded Hub, 1" Straight Spindle and Pre-Lubricated Bearings	1250	7.0
H-2555F2	5 Stud AG Hub - Complete with 5-1/2" Bolt Circle Studded Hub, 1-3/8 x 1-1/4" Stepped Spindle and Pre-Lubricated Bearings	2500	10.0
H-35660E1	6 Stud Ag Hub - Complete with 6" Bolt Circle Studded Hub, 1.4961 x 1-1/4" Stepped Spindle and Pre-Lubricated Bearings	3500	15.0

Trailer Replacement Bearing Kits



Part Number	Cup and Cone	For Use With Martin Wheel Hubs	Axle Diameter	Shipping Weight
BK-1	L44610 Cup & L44643 Cone	H4-C, H5-C, H4-C-PB, H5-C-PB	1"	3.0
BK-3	LM11910 Cup & LM11949 Cone	H3 (Old Style) & H4E (Old Style)	3/4"	3.0
BK-4	LM67010 Cup & LM67048 Cone	H812 & H812-S	1-1/4"	3.0
BK-5	LM45810 Cup & LM48548 Cone (Inner)	H545-UH (Old Style)	1-3/8" x 1-1/6"	3.8
	LM44610 Cup & L44649 Cone (Outer)			
BK-6	L68111 Cup & L68149 Cone (Inner)	H545-UHI	1-3/8" x 1-1/6"	3.8
	L44610 Cup & L44649 Cone (Outer)			
BK-7	LM67010 Cup & LM67048 Cone (Inner)	H545-UHI (Old Style)	1-1/4" x 3/4"	3.8
	LM11910 Cup & LM11949 Cone (Outer)			
BK-9	L44610 Cup & L44649 Cone	H46 & H56	1-1/6"	3.0
BK-10	25520 Cup & 25580 Cone (Inner)	H494A & HUTG	1-3/4" x 1-1/4"	4.0
	LM67010 Cup & LM67048 Cone (Outer)			

REPLACEMENT AND SERVICE PARTS - BEARINGS & BUSHINGS



Ball Bearings

Part Number	Bearing Type	OD	ID
IBB-12	General Duty	1-3/8"	1/2"
IBB-58	General Duty	1-3/8"	5/8"
IBB-34	General Duty	1-3/8"	3/4"
IBB-12-NHYD	General Duty - 2 Pak	1-3/8"	1/2"
IBB-58-NHYD	General Duty - 2 Pak	1-3/8"	5/8"
IBB-34-NHYD	General Duty - 2 Pak	1-3/8"	3/4"
IBB-1-LT	Flanged Radial Ball Bearing	2"	1"
IBB-1-RBI	Flanged Radial Ball Bearing	2"	1"
PFBB-12	Precision Flanged	1-3/8"	1/2"
PFBB-58	Precision Flanged	1-3/8"	5/8"
PFBB-34	Precision Flanged	1-3/8"	3/4"
PFBB-12-2PAK	Precision Flanged - 2 Pak	1-3/8"	1/2"

Part Number	Bearing Type	OD	ID
PFBB-58-2PAK	Precision Flanged - 2 Pak	1-3/8"	5/8"
PFBB-34-2PAK	Precision Flanged - 2 Pak	1-3/8"	5/8"
PSBB-58	Precision Sealed	1-3/8"	.625"
PSBB-17MM	Precision Sealed	35MM	17MM
PSBB-25MM	Precision Sealed	52MM	25MM
SMBB-34	Semi-Sealed Machined	1-3/8"	3/4"
SSBB-34	Semi-Sealed	1-3/8"	3/4"
TBB-12	Toy Type - Light Duty	1-1/8"	1/2"
TBB-38	Toy Type - Light Duty	1-1/8"	3/8"
TBB-76	Toy Type - Light Duty	1-1/8"	7/16"
TBB-12-543ER	Toy Type - Extended Race	1-1/8"	1/2"
TBB-76STD-ER	Toy Type - Extended Race	1-1/8"	7/16"

Grafoil (Oilite) Bushings

Part Number	Bearing Type	OD	ID
IB-12	General Duty	1-3/8"	1/2"
IB-58	General Duty	1-3/8"	5/8"
IB-34	General Duty	1-3/8"	3/4"
IB-34L	General Duty - 1" Press	1-3/8"	3/4"
IB-78	General Duty	1-3/8"	7/8"

Part Number	Bearing Type	OD	ID
IB-1	General Duty	1-3/8"	1"
IB-1-L	General Duty 1-1/8" Press	1-3/8"	1"
TB-12	Toy Type	1-1/8"	1/2"
TB-58	Toy Type	1-1/8"	5/8"
TB-34	Toy Type	1-1/8"	3/4"

Open Cage Roller Bearings

Part Number	OD	ID	LENGTH
93516NA	1-3/8"	1"	1"
93524NA	1-3/8"	1"	1-1/2"
93528NA	1-3/8"	1"	1-3/4"
93532NA	1-3/8"	1"	2"
93536NA	1-3/8"	1"	2-1/4"
93540NA	1-3/8"	1"	2-1/2"
93544NA	1-3/8"	1"	2-3/4"
93552NA	1-3/8"	1"	1-3/4"
94432NA	1-3/8"	7/8"	2"
94440NA	1-3/8"	7/8"	2-1/2"
94756NA	1-3/8"	1-1/4"	3-1/2"
94764NA	1-3/8"	3/4"	4"
95316NA	1-3/8"	3/4"	1"
95324NA	1-3/8"	3/4"	1-1/2"
95328NA	1-3/8"	3/4"	1-3/4"

Part Number	OD	ID	LENGTH
95330NA	1-3/8"	3/4"	1-7/8"
95332NA	1-3/8"	3/4"	2"
P5336NA	1-3/8"	3/4"	2-1/4"
95340NA	1-3/8"	3/4"	2-1/2"
95344NA	1-3/8"	3/4"	2-3/4"
95352NA	1-3/8"	3/4"	3-1/4"
95360NA	1-3/8"	3/4"	3-3/4"
96216NA	1-3/8"	5/8"	1"
96224NA	1-3/8"	5/8"	1-1/2"
96228NA	1-3/8"	5/8"	1-3/4"
96236NA	1-3/8"	5/8"	2-1/4"
96240NA	1-3/8"	5/8"	2-1/2"
96244NA	1-3/8"	5/8"	2-3/4"
96252NA	1-3/8"	5/8"	3-1/4"
96260NA	1-3/8"	5/8"	3-3/4"

Open Cage Roller Bearings w/ Split Races

Part Number	OD	ID	Length
HP9332NAH	1-3/6"	3/4"	2"

Part Number	OD	ID	Length
HP93340NAH	1-3/6"	3/4"	2-1/2"

REPLACEMENT AND SERVICE PARTS - BEARINGS & BUSHINGS



Roller Bearing Retainers

Part Number	OD	ID	Press Depth
RS-W	Plastic Retainer/Seal & Washer for Phenolic Wheels		
RT-1055-14	1.065"	1.045"	1/4"
RT-114	1-3/8"	1"	1/4"

Part Number	OD	ID	Press Depth
RT-3414	1-3/8"	3/4"	0.250
RT-34M	1-3/16"	3/4"	
RT-5814	1-3/8"	5/8"	0.250

Tapered Cup & Cone Bearings

Cone Bearing Part Number	ID	Uses Grease Cap	Use Bearing Race
LM11949	3/4"	GC-2	LM11910
L44643	1"	GC-1	L44160
15100	1"	GC-4	15245
L44649	1-1/16"	GC-1	L44610
LM67048	1-1/4"	GC-3M	LM67010
15123	1-1/4"	GC-4	15245
LM48548	1-3/8"	N/A	LM48510
L68149	1-3/8"	N/A	L68111
25520	1-3/4"	N/A	25220

Spanner Bushings

Part Number	OD	ID	Length
SPB-1-34-6	1"	3/4"	6"
SPB-3412	3/4"	1/2"	2"
SPB-3412-381	3/4"	1/2"	3-3/16"
SPB-3412-408	3/4"	1/2"	4.063"
SPB-3412-456	3/4"	1/2"	4.56"
SPB-3412-494	3/4"	1/2"	4.94"

Part Number	OD	ID	Length
SPB-3412-5075	3/4"	1/2"	5.075"
SPB-3412-609	3/4"	1/2"	6.094"
SPB-3412-7063	3/4"	1/2"	7.063"
SPB-3412-7485	3/4"	1/2"	7.485"
SPB=3412C	3/4"	1/2"	2.438"

Retainer Bushings

Part Number	OD	ID
RB-1238	1/2"	3/8"
RB-3458	3/4"	5/8"

Part Number	OD	ID
RB-5812	5/8"	1/2"

Fasteners - Wheel Bolts & Nuts

Part Number	Description	Length
WBP-1SP	5/16" - 24NF	3/4"
WBP-3	3/8" - 24NF	7/8"
WBP-5	1/2" - 20NF	1-3/16"
WB-12	1/2" - 20NF	1-1/2"

Part Number	Description	Used With
LN-56	5/16" - 24NF	WBP-1SP
LN-38	3/8" - 24NF	WBP-3
LN-12	1/2" - 20NF	WB--5
AN-1	1" - 14NF	SA-1 & SA-116 Spindle

REPLACEMENT AND SERVICE PARTS – TRAILER RUNNING GEAR



Grease Caps

Part Number	OD	Height	Used with Bearing ID
GC-1	1.984	1.23"	1"
GC-1Y	1.984	1.23	1"
GC-2	1.75		3/4"
GC-3M	2.334	1.187	1-1/4"
GC-4	2.445	1.375	1-1/4"
GC-1501	1.788	0.89	3/4"

Grease Seals

Part Number	OD	ID	Fits Shaft Diameter
GS-1	1.785	1.166	1.219
GS-2	1.983	1.196	1.250
GS-3	1.785	1.072	1.125
GS-3VHY	1.785	1.075	1.125
GS-4	2.332	1.446	1.500
GS-5	1.983	1.666	1.719
GS-9	1.983	1.447	1.500

Wheel Bearing Grease

Part Number	Description	Shipping Weight
WBG-1	Wheel Bearing grease, 1lb tub	1.1

Axle Nuts

Part Number	Description
AN-1	1-14NF - 1 inch slotted hex axle nut

Wheel Bolts

Part Number	Description
WB-12	1/2-20NF X 1-1/2 inch long (Thread In)
WBP-1	5/16-24NF x 3/4 inch long (Press In)
WBP-5	1/2-20NF x 1-3/16 inch long (Thread In)

Cotter Pins

Part Number	Description
CP-1	1-1/4 x 1/8 inch diameter cotter pin
CP-2	2 x 1/8 inch diameter cotter pin
CP-3	1-1/4 x 3/32 inch diameter cotter pin

High Speed Spacers

Part Number	Description
HSS-1	1" ID x 7/16" long for use with 1" grease seal
HSS-2	3/4" ID x 3/4" long for use with 3/4" grease seal

Spindle Washers

Part Number	Description
SW-1	1 inch ID Plain Spindle Washer
SW-2	1 inch ID "Tongue" Spindle Washer
SW-3	1 inch ID "D" Spindle Washer

Lug Nuts

Part Number	Description
LN-56	5/16-24 NFCone Lug Nut
LN-38	3/8-24 NF Cone Lug Nut
LN-76	7/16-20 NF Cone Lug Nut
LN-12	1/2-20 NF Cone Lug Nut

Spare Tire & Wheel Mount

Part Number	Description	Shipping Weight
UB-1	Threaded Zinc Plated - 7-1/2 x 1/2-20 U -Bolt with two (2) lug nuts. Fits: 4 hole x 4" bolt circle and 5 hole 4-1/2" bolt circle rims For: 8, 9 & 12" diameter wheels	1.0

AFTERMARKET PLAN-O-GRAMS

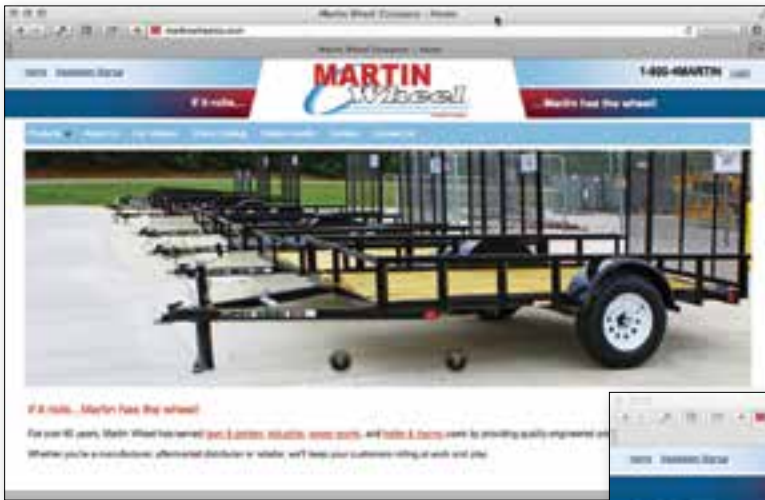


Designed to meet the needs of the aftermarket retailer, Martin Wheel offers standard and customized plan-o-grams to meet your requirements .

Whether your requirements are to fulfill the needs of a Hardware, Marine, Tire or Lawn & Garden customer; Martin Wheel plan-o-grams are an attractive, space saving, selling devise that will increase your tire and wheel sales.

For more information on our plan-o-gram program, please contact our Retail Aftermarket Sales Department





Easy to find and easy to navigate; from our newly revised home page to product and information pages.

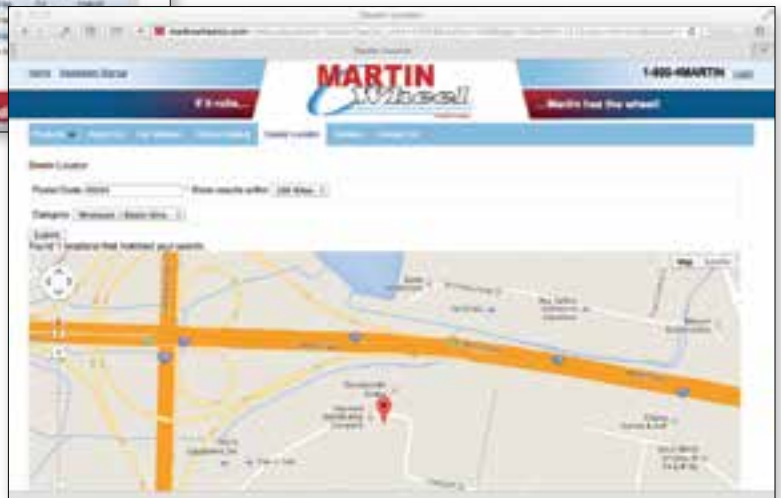
Whether you are selling outdoor power, trailer, golf, industrial or power sports, your customer can find what he needs - simply and fast.

Products are divided into several categories to enable your customer to find what he needs quickly!



We've tried to anticipate your customer's questions and have included complete detail on all items on the site.

Martin Wheel does not sell at retail, we only sell through you, our customers. Our dealer locator helps your customer find you when he needs to make a tire, wheel or tire/wheel assembly purchase!

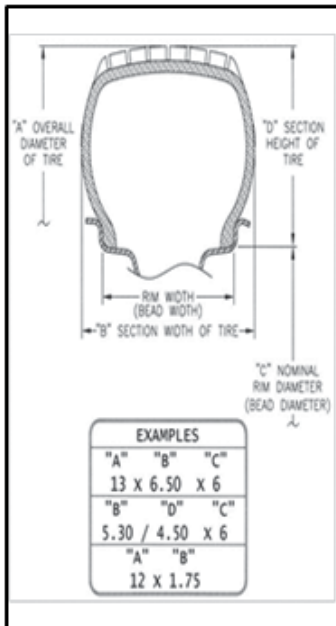


ALL ABOUT TIRES

BASIC INFORMATION



BASIC SLOW SPEED TIRE FACTS



Lawn & Garden, Industrial, ATV and Go-Kart Tires:

There are two methods to identify tires in this category

Overall Diameter x Section Width x Rim Diameter

An example of a Lawn & Garden tire is 13x5.00-6

Referring to the drawing to the left, overall diameter is 13 (A)

Section width is 5.00 (B)

Rim diameter is 6.00 (C)

Section Width x Section Height x Rim Diameter

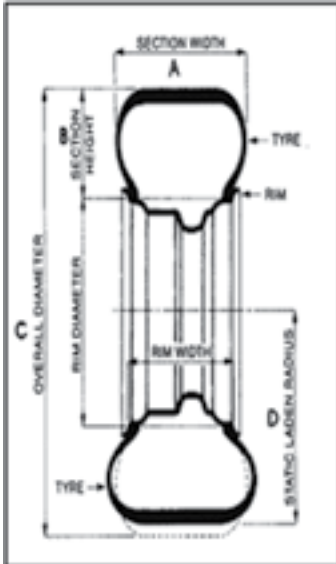
An example of a Go-Kart or hand truck tire size is 4.10 / 3.50-6

Again referring to the drawing to the left,

Section width is 4.10 (B)

Section Height is 3.50 (D)

Rim Diameter is 6 (C)



Trailer Tires:

Like Lawn and Garden tires there are several ways to identify trailer tire sizes.

Overall Diameter x Section Width x Rim Diameter

A common size would be a tire used on campers, snow mobile and landscaper's trailers - 16x6.50-8

Referring to the drawing on the left overall tire diameter is 16 (C)

Section Width is 6.50 (A)

Rim Diameter is 8

Section Height x Section Width x Rim Diameter

An older size designation commonly used on small boat or camping trailers and log splitters 4.80x4.00-8.

Again referring to the drawing on the left,

Section Height is 4.80 (B)

Section Width is 4.00 (A)

Rim Diameter is 8"

Section Width x Aspect Ratio x Rim Diameter

Aspect Ratio is the ratio of Section Height to Section Width.

In recent years, 13", 14" and 15" trailer tires have followed

a P-Metric format, where tire dimensions are metric - ST205/75D14.

In this example ST means Special Trailer

Section Width (B) is 205 mm.

Aspect ratio the relationship of Section Height (B) to Section Width

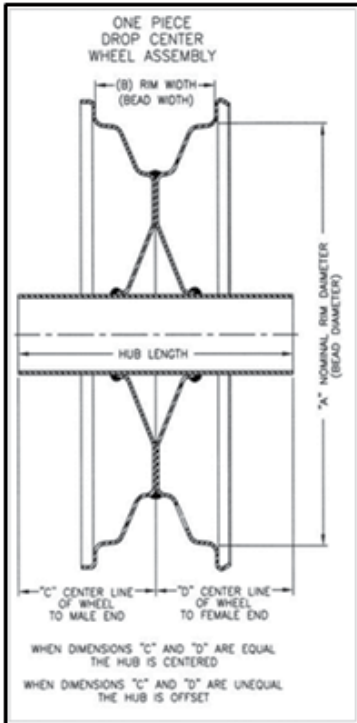
(A) is 75 or 75% - Rim Size is 14"

ALL ABOUT TIRES

BASIC INFORMATION



BASIC RIM FACTS

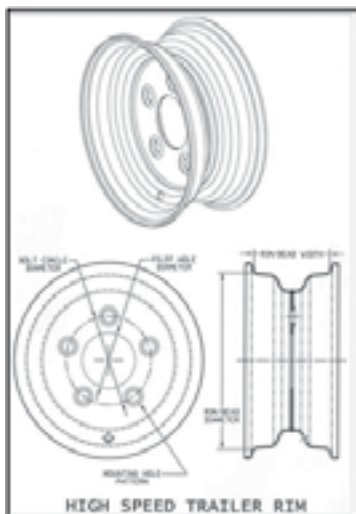


Slow Speed Rims:

Slow speed tire/wheel assemblies are found on toy wagons, wheelbarrows, hand trucks, outdoor power equipment, casters and industrial equipment.

When ordering slow speed wheels, you need to know a few items:

1. Tire Size, desired capacity, ply rating or load rating?
2. Tubeless or Tube-Type?
3. What is the tire tread?
4. Rim Hub Length - what is the overall length of the hub from outside of bearing to outside of bearing?
5. Hub Offset - is the hub centered or offset? If offset what is the distance from the center of the rim to the end of the hub tube on the male (non-valve hole) side?
6. What type of bearing is needed, ball bearing, bushing, precision bearing, roller bearing or tapered bearing?
7. Bearing Size - what is the outside diameter of the axle the wheel is to be installed on?
8. Zerk Fitting - does the wheel require a zerk (grease) fitting?



Trailer Rims:

High speed trailer rims are designed specifically to handle the normal wear and tear of trailer uses. **They are not automotive rims.** When selecting trailer rims some thought must be given to the load that is to be carried.

As a rule of thumb, overall capacity is limited to the capacity of the tire.

Trailer tires and hubs must be matched to axle capacity and have the same bolt pattern.

Standard Trailer Bolt Circles are:

- 4 hole x 4" bolt circle
- 5 hole x 4-1/2" bolt circle
- 6 hole x 5-1/2" bolt circle
- 8 hole x 6-1/2" bolt circle

TIRE ID GUIDE

LAWN & GARDEN TIRES

KENDA
SINCE 1962 **TIRES**

Martin Wheel offers a broad range of Kenda Lawn & Garden tires designed to fit four to twelve inch rim diameters. Produced in a variety of tread designs, Kenda Lawn & Garden tires are designed to be quality, long lasting products that provide your customer the greatest amount of traction, performance and satisfaction, with minimal turf damage. For all of your Lawn & Garden tire needs; think Kenda!



K352 Stud



K353A Sawtooth



K358 Turf Rider



K367 Grasshopper



K372 Turf Max



K375 Turf Boss



K382 Turf Pro



K401 Rib



Wheelbarrow Rib



K398A Polar Trac



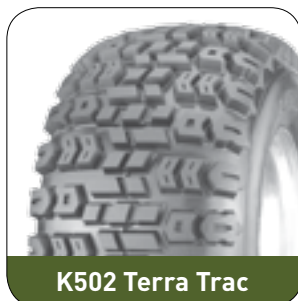
K404LG Smooth



K357A Bar / Lug



K500 Super Turf



K502 Terra Trac



K505 Turf505



K472 Chevron / Bar

TIRE ID GUIDE

GOLF CAR, ATV & UTV TIRES

KENDA
SINCE 1962 **TIRES**

In Golf, Kenda's K389 Hole-N-1 is the standard OEM tire for Club Car and Yamaha. For the very best in performance on the course, the cart path or while mowing the greens; you will post the winning score with Kenda Golf Car tires!



K389 Hole-N-1



K399 Pro Tour



K404 Greens Mower



K401 Rib Front Steer

From the **first** front Rib tire designed for ATV/UTV use (Front Max) to the **first** 6ply UTV tire (Bear Claw) to a **state-of-the-art** radial tire specifically designed for the side-by-side market (Bounty Hunter)! Kenda is your 1st choice for performance and value!



K284 Front Max



K290 Scorpion



K530 Pathfinder Rear



K530F Pathfinder Front



K299 Bearclaw



K537 Bounty Hunter

TIRE ID GUIDE AGRICULTURAL & SKID STEER TIRES

KENDA
SINCE 1962 **TIRES**

To meet the day-to-day challenges of the farm or construction site, choose Kenda's Power Grip or Farm Rib with the confidence that they will help you "get the job done"!



K401 Farm Rib



K395 Power Grip

TIRE ID GUIDE GRAY RUBBER

KENDA
SINCE 1962 **TIRES**



Special Application tires for Health Care and Hospitality; Martin Wheel offers a number of gray rubber tires to meet the specific needs of the healthcare and hospitality markets



Rib



Turf



Sawtooth



342 West Avenue | Tallmadge, Ohio 44278

Phone: 800-462-7846 | 330-633-3278 | Fax: 330-633-3303



ISO 2001:2008

MartinWheelCo.com